

BALDOR® • RELIANCE 

Product Information Packet

IDDRPM21604

60HP,1750RPM,3PH,N/AHZ,2168,DPG-FV,

Part Detail							
Revision:	-	Status:	PRD/A	Change #:		Proprietary:	No
Type:	AC	Elec. Spec:	L1765A	CD Diagram:	422927-001	Mfg Plant:	
Mech. Spec:		Layout:	617206-001	Poles:	04	Created Date:	04-10-2015
Base:		Eff. Date:	04-13-2015	Leads:			

Specs			
Catalog Number:	IDDRPM21604		
Enclosure:	DPFV		
Frame:	RL2168		
Frame Material:	Exposed Laminations		
Output @ Frequency:	60.000 HP @ 60 HZ		
Synchronous Speed @ Frequency:	1800 RPM @ 60 HZ		
Voltage @ Frequency:	460.0 V @ 60 HZ		
Agency Approvals:	CCSA US		
	UR		
Auxillary Box:	No Auxillary Box		
Base Indicator:	Rigid		
Bearing Grease Type:	No Grease		
Current @ Voltage:	74.000 A @ 460.0 V		
Duty Rating:	CONT		
Enclosure Modification:	FORCE VENT		
Feedback Device:	NO FEEDBACK		
Frame Prefix:	RL		
Heater Indicator:	No Heater		

Insulation Class:	H		
Mounting Arrangement:	F1		
Product Family:	General Industrial		
Pulley End Bearing Type:	Ball		
Pulley Face Code:	Standard		
Shaft Ground Indicator:	No Shaft Grounding		
Shaft Rotation:	Reversible		
Motor Standards:	NEMA		
Thermal Device - Bearing:	NONE (OLD)		
Thermal Device - Winding:	Normally Closed Thermostat		

Nameplate 000613006NN										
	DUTY	HP	RPM	AMPS	VOLTS	HZ				
	CONT	60	1750	74	460	60				
	CONT	60	2200	73	460	75.8				
CAT.NO.	IDDRPM21604		SPEC. NO.		P21R0247					
SER.NO.			FR	RL 2168	INSUL	H				
PH.	3	MAX SAFE SPEED		5000	AMB.	40				
DESIGN NO.	L1765A		TYPE		ENCL.	DP				
S.F.	1.00		D.E. BRG.	50BC03JPP30A						
ENCL MOD	FORCE VENT		O.D.E. BRG.	45BC02JPP30A						
									MIN. AMB.	0

Parts List		
Part Number	Description	Quantity
WS286771	WS P21R0247	1.000 EA
RA282979	RA P21R0247	1.000 EA
000613006NN	RPM AC WITH CERTIFIED LOGOS	1.000 EA
000692000FP	NP, WARNING LIFT INSTRUCTIONS	1.000 EA
000692000VD	LABEL WARNING	1.000 EA
036170004EA	ROUND HEAD DRIVE SCREW	4.000 EA
422927001	C/D LABEL	1.000 EA
036100080KA	M10-1.50X 80MM HXSOCHDCS	3.000 EA
036140001B	METRIC EYEBOLT	2.000 EA
036500010AB	METRIC NUT M10-1.5PLTD400	4.000 EA
036500010AB	METRIC NUT M10-1.5PLTD400	4.000 EA
400638001AB	WASHER SPRING - 210	1.000 EA
HA4054	SHORT T-DRAIN FITTING, .125" N.P.T.	1.000 EA
HA4054	SHORT T-DRAIN FITTING, .125" N.P.T.	1.000 EA
609830005ACH	STUD FRAME .375X13 LG	4.000 EA
807527202DAE	BRKT,DE,RL210,DPFV	1.000 EA
807527203CCB	BRKT,ODE,RL210,DPFV	1.000 EA
000613006NT	NAME PLATE IEC	1.000 EA
032018004AK	HHCS 1/4-20X1/2 PLATED	2.000 EA
032018004DK	HHCS,DRIP COVER	4.000 EA
032018006CK	HHCS 3/8-16X3/4L PLATED	4.000 EA
034017014AB	LCKW 3/8 STD. PLATED	4.000 EA
036000012JB	M8-1.25 X 12MM HXHDC	3.000 EA
036000012JB	M8-1.25 X 12MM HXHDC	4.000 EA

Parts List (continued)		
Part Number	Description	Quantity
036000020HB	HHCS M6-1.0X20MM PLATED	4.000 EA
036000020HB	HHCS M6-1.0X20MM PLATED	8.000 EA
036321020HB	HEXSOCKET FLAT SCREW M	4.000 EA
036600009AB	METRIC FLWASH M8 PLATED	3.000 EA
036620008AB	M6 METRIC EXT LOCKWASHER	1.000 EA
065591000B	GASK 250-280	1.000 EA
075454001AJ	C/BOX, PAINTED 250-280	1.000 EA
075455000A	CBOXC, PAINTED 250-280	1.000 EA
410978010C	FLANGE, INLET BLOWER HSG.	1.000 EA
410978019A	SCREEN, INLET FLANGE	1.000 EA
415000103A	T/LUG #14AWG-#4AWG W/HOLE FOR .250 BOLT	1.000 EA
417733004T	GASKET CONDUIT BOX	2.000 EA
418018074A	GROUND LABEL G100 METRIC 160 D.C.	1.000 EA
422919190	HHCVR KIT,DC180,DE, LOUVERED	1.000 EA
422919190	HHCVR KIT,DC180,DE, LOUVERED	1.000 EA
609843001K	GASKET HANDHOLE COVER FE	1.000 EA
610409128A	ADAPTER, BLOWER	1.000 EA
610490001A	.5HP,3450//2850RPM,3PH,60//50HZ,56C,3420	1.000 EA
611917002AN	GASKT RL210 DPFV	1.000 EA
611965001A	WHEEL, BLOWER	1.000 EA
706305301A	GUARD, SHAFT	1.000 EA
708528004G	HOUSING, BLOWER	1.000 EA
000640000P	TAG WINDING THERMOST	1.000 EA
004824007K	SPECIAL PAINT	0.100 EA

034180020GA	KEY 1/2X1/2X2-1/2 L	1.000 EA
418018116	WARNING PLATE	1.000 EA

REL. S. O. -
 FRAME RL2168
 HP 60
 BASE SPEED 1750
 PHASE/HERTZ 3/60

VOLTS 460
 AMPS 74
 DUTY CONT
 S.F. 1.0
 AMB °C/INSUL 40/H

ENCLOSURE
 MAX SAFE RPM 5000
 IM (AMPS) 23
 P.F. @NL/FL .083/.869
 WK² (LB-FT²) 2.32

DPFV
 WYE CONN EQ CKT OHMS PER PHASE (AT BASE RATING, 25 °C)
 R1 .106
 R2 .0797
 R3 .479
 X1 .509
 X2 .479
 XM 12.0


RATED FULL LOAD DATA

	RPM	HP	TORQUE LB-FT	FUND VOLTS	FREQ-HZ	AMPS
BASE SPEED	1745	60.0	181	460	60	73.7
MAX SPEED	2200	60.0	143	460	75.8	73.1
MIN SPEED	0	0	181	24.1	1.85	73.7

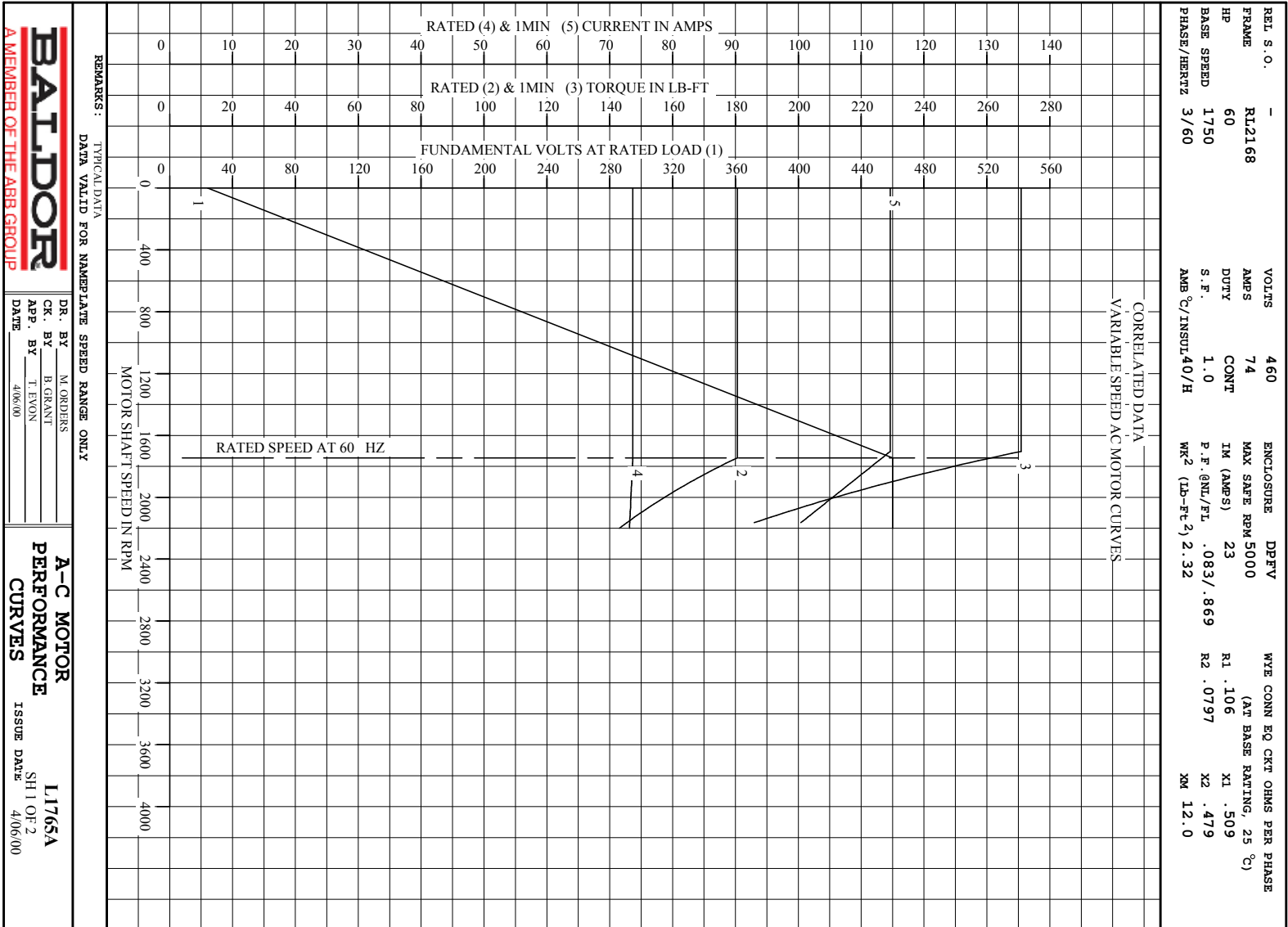
LOAD PERFORMANCE AT BASE SPEED

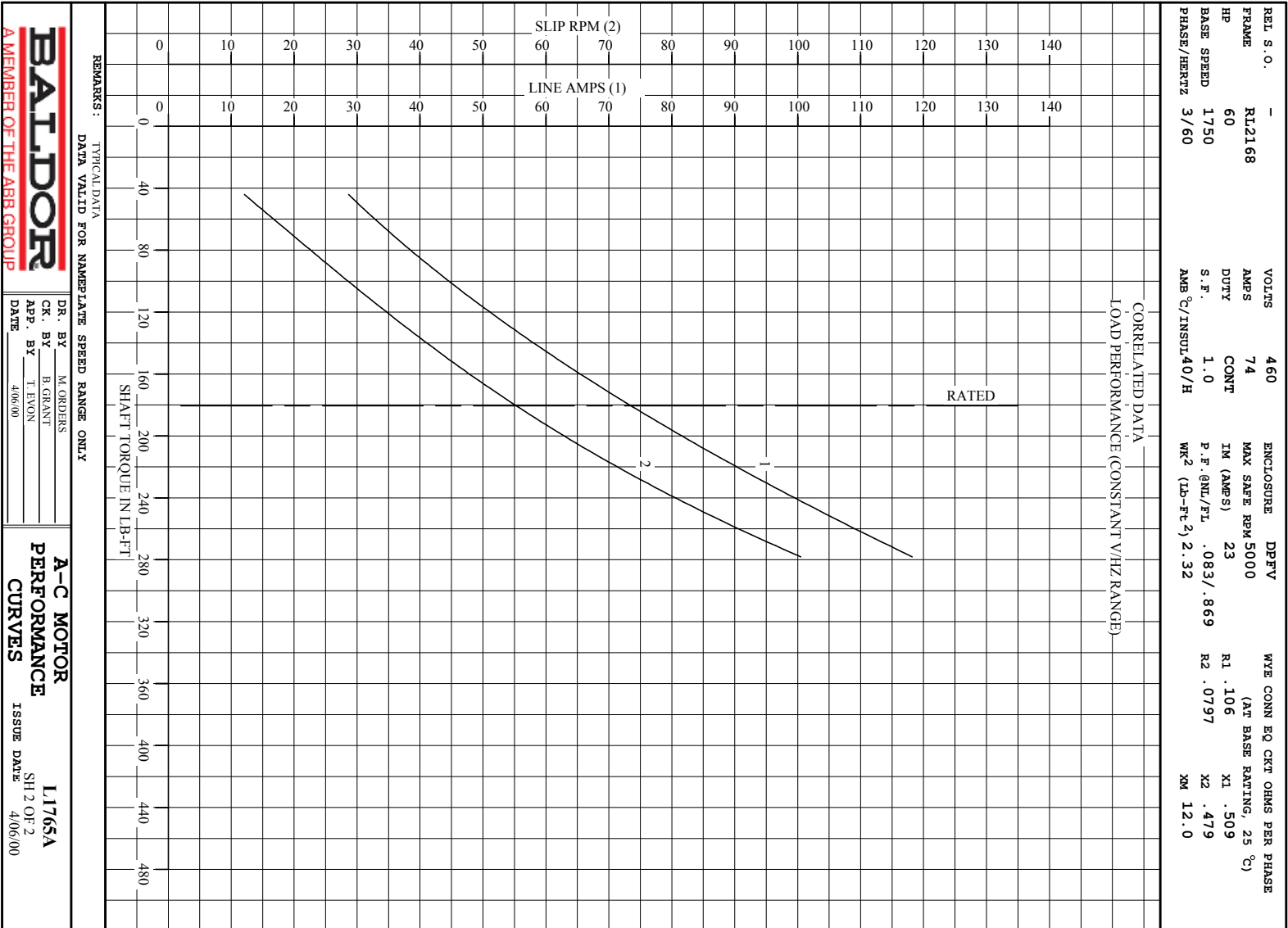
	RPM	HP	TORQUE LB-FT	FUND VOLTS	FREQ-HZ	AMPS
NO LOAD	1800	0	0	460	60	22.6
1/4	1788	15.0	44	460	60	28.7
1/2	1775	30.1	89	460	60	40.9
3/4	1761	45.0	134	460	60	56.1
FULL LOAD	1745	60.0	181	460	60	73.7
O/L	1703	87.9	271	460	60	115

REMARKS: TYPICAL DATA
 CORRELATED DATA

	DR. BY _____	M. ORDERS	A-C MOTOR PERFORMANCE DATA
	CK. BY _____	B. GRANT	
APP. BY _____ DATE _____		T. EVON	L1765A ISSUE DATE 4/06/00

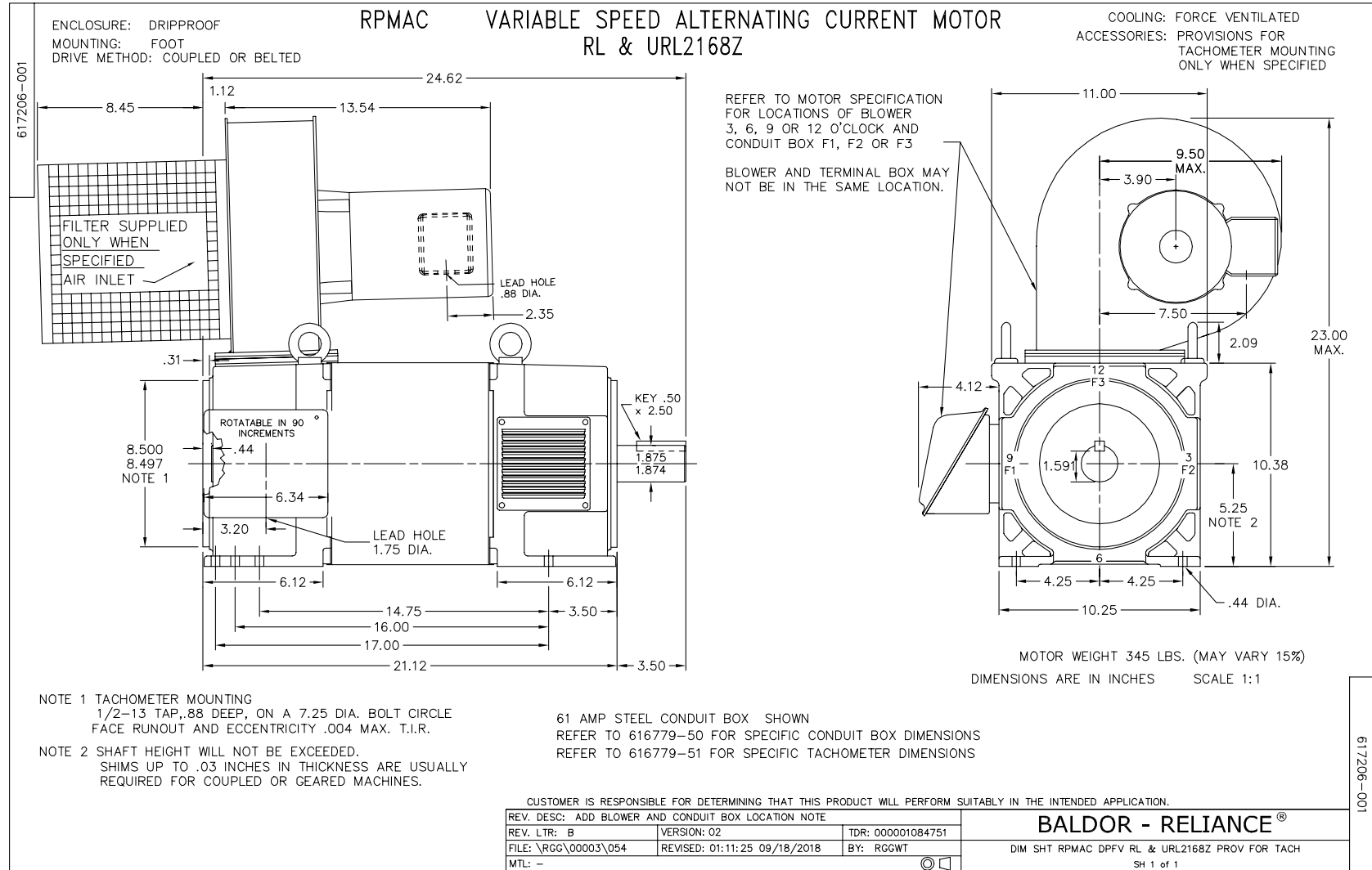
A MEMBER OF THE ABB GROUP





REMARKS: TYPICAL DATA
DATA VALID FOR NAMEPLATE SPEED RANGE ONLY

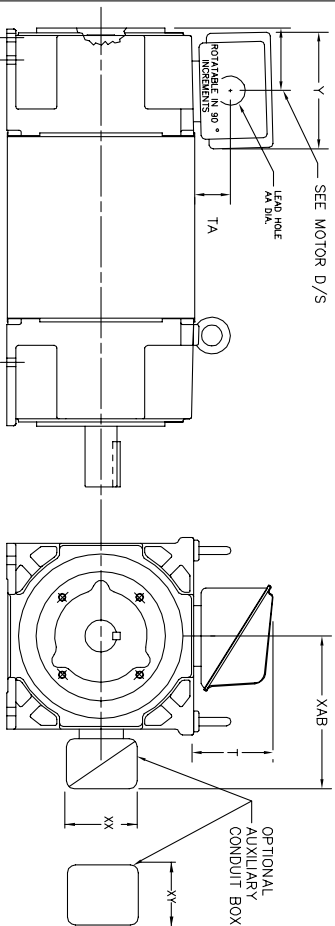
<p>BALDOR A MEMBER OF THE ABB GROUP</p> <p>DR. BY _____ M. ORDERS CK. BY _____ B. GRANT APP. BY _____ T. EVON DATE _____ 4/06/00</p>	<p>A-C MOTOR PERFORMANCE CURVES</p> <p>ISSUE DATE: 4/06/00</p> <p>L1765A SH 2 OF 2</p>
---	---



INDUSTRIAL ALTERNATING CURRENT MOTORS

RPM AC

STEEL, CAST IRON, MILL AND TERMINAL BOARD CONDUIT BOX DIMENSIONS
 NEMA FRAMES RL210 thru RL280 and IEC FRAMES RDL132 thru RDL180
 NEMA FRAMES FL180 thru FL280 and IEC FRAMES FDL112 thru FDL180



FRAME	TYPE	TERMINAL STRIP	AMPS	C/BOX	Y	TA	T	AA
FL180	STEEL	N	40	706320003A	5.00	1.62	3.00	1.12
FL180	STEEL	Y/N	7/5	706320005A	6.12	2.38	4.38	1.75/2.00
FL180	STEEL	N	208	706320007A	7.62	2.00	7.00	2.50/3.00
FL180 & FDL11	CAST IRON	Y/N	60	706320004C	5.75	2.38	4.38	1.0 TAP
FL180 & FDL11	MILL	Y	100	706310056A	7.75	2.30	4.40	PG29/PG16

FL210 & RL210	STEEL	N	61	075452000B	6.34	2.00	4.12	1.75
FL210 & RL210	STEEL	N	121	075454001AJ	7.69	2.38	5.25	1.94
FL210 & RL210	STEEL	N	305	706320016A	9.00	4.12	8.44	4.59
FL210 & RL210	CAST IRON	N	110	075460062B	7.25	2.50	5.25	1.5 TAP
FL210 & RL210	MILL	Y	100	706310225R	7.75	2.30	4.40	PG29/PG16
FL210 & RL210	MILL	Y	160	706310226R	9.00	3.06	5.40	PG36/PG16
FL210 & RL210	MILL	Y	160	706310056B	9.00	3.06	5.40	PG36/PG16
FL210 & RL210	MILL	Y	400	706310063B	14.39	7.43	12.15	BLANK

FL250 & RL250	STEEL	N	61	075452000B	6.34	2.00	4.12	1.75
FL250 & RL250	STEEL	N	121	075454001AJ	7.69	2.38	5.25	1.94
FL250 & RL250	STEEL	N	305	706320016A	9.00	4.12	8.44	4.59
FL250 & RL250	CAST IRON	N	110	075460062B	7.25	2.50	5.25	1.5 TAP
FL250 & RL250	CAST IRON	N	210	706320013A	10.50	4.88	9.00	4.0 TAP
FL250 & RL250	MILL	Y	100	706310056A	7.75	2.30	4.40	PG29/PG16
FL250 & RL250	MILL	Y	160	706310226R	9.00	3.06	5.40	PG36/PG16
FL250 & RL250	MILL	Y	160	706310056B	9.00	3.06	5.40	PG36/PG16
FL250 & RL250	MILL	Y	400	706310063B	14.39	7.43	12.15	BLANK

FL280 & RL280	STEEL	N	160	706320009A	7.25	3.50	7.06	2.50
FL280 & RL280	STEEL	N	305	706320016A	9.00	4.12	8.44	4.59
FL280 & RL280	STEEL	N	500	702658001C	14.62	7.56	12.70	5.00
FL280 & RL280	CAST IRON	N	140	706320012B	9.25	4.81	8.56	3.0 TAP
FL280 & RL280	CAST IRON	N	210	706320013A	10.50	4.88	9.00	4.0 TAP
FL280 & RL280	CAST IRON	N	510	706320014D	15.00	7.56	12.81	5.0 TAP
FL280 & RL280	MILL	Y	100	706310056A	7.75	2.30	4.40	PG29/PG16
FL280 & RL280	MILL	Y	160	706310056B	9.00	3.06	5.40	PG36/PG16
FL280 & RL280	MILL	Y	160	706310056B	9.00	3.06	5.40	PG36/PG16
FL280 & RL280	MILL	Y	400	706310063B	14.39	7.43	12.15	BLANK

FRAME SIZE	XAB	OPTIMAL AUXILIARY CONDUIT BOX DIMENSIONS (MAXIMUM)							
		XX	XY	XY	PART NUMBER				
FL180/FL180/RL180	7.38	4.25	4.25	603C07-26-A	FL180/FL180/RL180	10.88	8.00	8.00	706310-3-B
FL210 & RL210	8.44	4.25	4.25	603C07-26-A	FL210 & RL210	11.88	8.00	8.00	706310-3-B
FL250 & RL250	9.12	4.25	4.25	603C07-26-A	FL250 & RL250	12.62	8.00	8.00	706310-3-B

- (1) TAP CONDUIT
- (2) TAP PIPE TAP
- (3) CUSTOMER TO PROVIDE HOLE FOR CONDUIT.
- (4) 2" DN -5A or 1" TAP DN -4C

TERMINAL BOX CAN BE KEPT FOR LEAD OUTLET AT TOP SIDES OR BOTTOM TERMINAL BOX CAN BE KEPT FOR LEAD OUTLET AT TOP SIDES OR BOTTOM SIDE WHEN SPECIFIED. DIM LOCATED ON TOP WHEN SPECIFIED.

050-667919

CUSTOMER IS RESPONSIBLE FOR DETERMINING THAT BALDOR'S PRODUCT WILL PERFORM SUITABLY IN THE INTENDED APPLICATION.

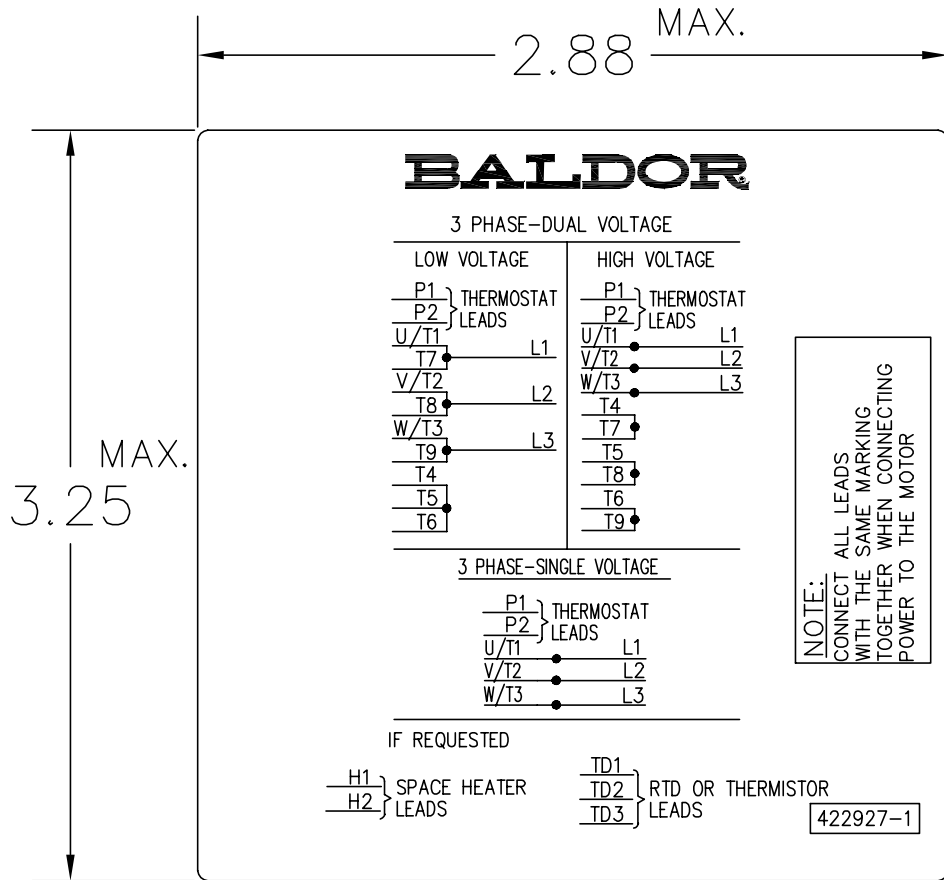
REV. DESC: ADD C/BOX 706310-225 & -226R	VERSION: 05	TDR: 000001093792
REV. LTR: E	REVISED: 07: 27: 52 12/18/2018	BY: RGGWT
FILE: \RGG\00003\692		
MTL: -		

BALDOR - RELIANCE®

DIM SHT NEMA RL210-RL280 FL180-FL280 IEC RDL132-RDL180

SH 1 of 1

422927-001



NOTE:
DATA TO BE SIZED
SO THAT IT FITS INTO
MATERIAL DECAL
DIMENSIONS. MAKE
LETTERS & NUMBERS
AS LARGE AS POSSIBLE.

MATERIAL: CERAMATIC DGF-P4
PERMA GRIP ADHESIVE

ALL LETTERS, NUMBERS
AND LINES TO BE BLACK
ON WHITE BACKGROUND.

REV. DESC: CHANGE BACKGROUND COLOR FROM GOLD TO WHITE		
REV. LTR: B	VERSION: 02	TDR: 000000788708
FILE: \RGG\00000\203	REVISED: 08:09:29 03/04/2013	
MTL: -	BY: RGGWT	

BALDOR

EXTERNAL CONNECTION LABEL

SH 1 of 1

422927-001

Marketing maintained PDF of MN406:

<http://www.baldor.com/support/Literature/Load.ashx/MN406?ManNumber=MN406>