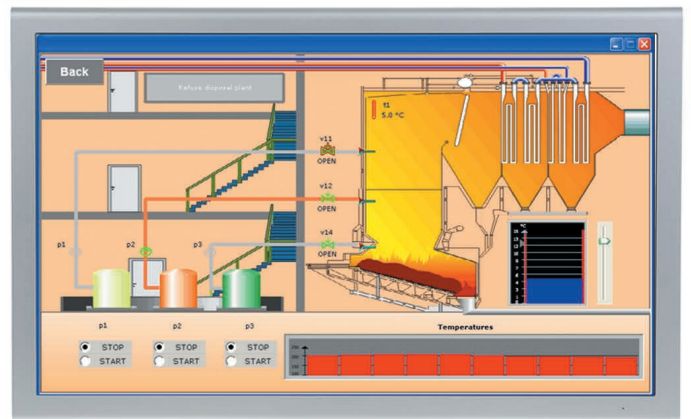




AP-3500-E01



AP-3500-H01



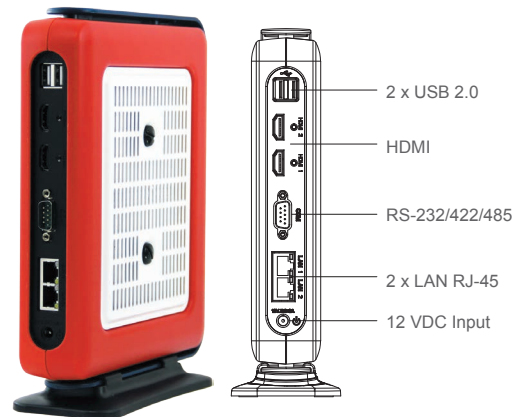
AP-3500 Series

Multiple HDMI Outputs Office Grade Thin Client



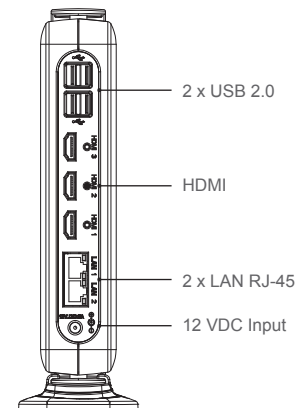
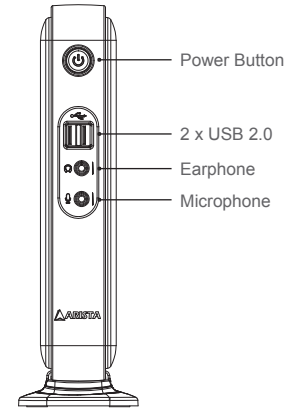
THINMANAGER

Specifications	AP-3500-E01
System	
CPU	Intel E3845 1.91GHz ATOM CPU
Chipset	(By CPU)
Memory	4GB DDR3 SO-DIMM
Video Controller	Intel Gen7 Intel Graphics DX 11, OGL3.2
External Video Output	Dual HDMI
Storage Option	CFast card
Compact Flash	N/A
Keyboard/Mouse	USB
Audio	N/A
Watchdog Timer	YES
Remote Boot	ACP, PXE
I/O Communication	
USB Port	1 x USB 3.0, 3 x USB 2.0
Serial Port	1 x RS-232/422/485
LAN	2 x Gigabit
Parallel	N/A
GPIO	N/A
ThinManager Support	
ThinManager Support	ThinManager 6 & Up
Power / Thermal Specs	
Power Requirement (Max)	12VDC / 1.05A
Power Consumption (Max)	13 W
Recommended Power Supply	18 W
Heat Dissipation	43 BTU/hr
Physical Information	
Mounting	Desktop, VESA Mount option
Net Weight	2.75 Lbs / 1.2 Kg
Physical Dimension (WxHxD)	2.77 x 9.31 x 7.14 inch 70.5 x 236.5 x 181.0 mm
Recommended cutout Dimension (WxH)	N/A
Environmental	
Operating Temperature	0~35°C (32~95°F)
Storage Temperature	-20~60°C (-4~140°F)
Relative Humidity	0~95%
IP/NEMA Rating	N/A
Certification	FCC, CE, UL 60950-1

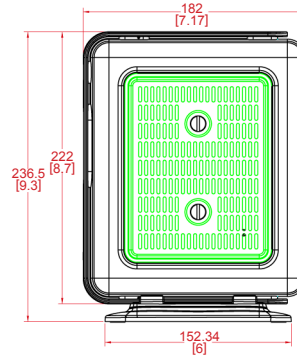
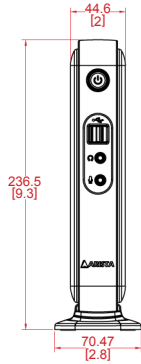


Ordering Information	AP-3500-E01-003	AP-3500-E01-P03
CPU	E3845 ATOM CPU	E3845 ATOM CPU
Memory	4GB DDR3	4GB DDR3
Storage	N/A	N/A
Remote Boot	ACP Enable	PXE
Power Supply	110/220VAC Input	110/220VAC Input

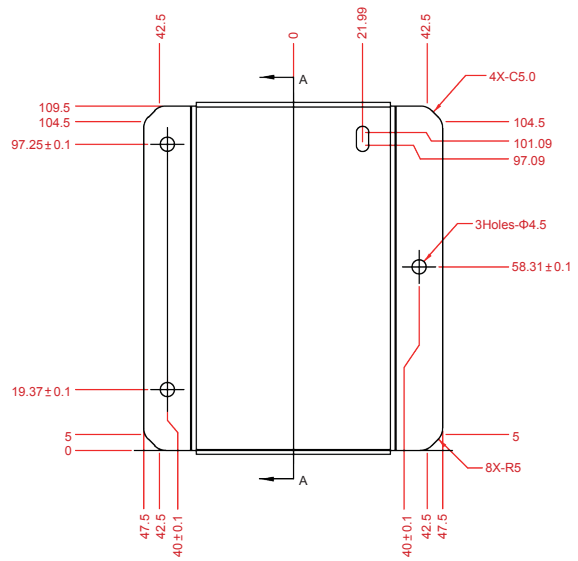
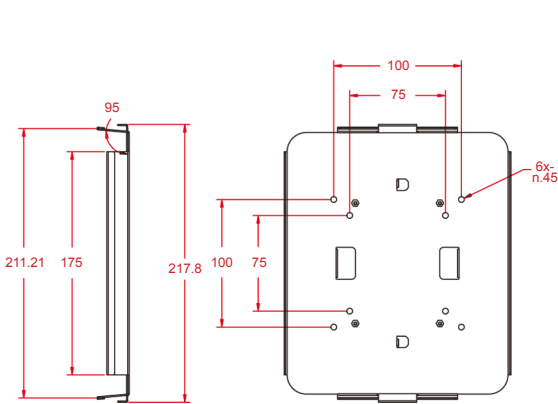
Specifications	AP-3500-H01		
System			
CPU	2.6/3.4 GHz i7-6600U, 2.4/3.0 GHz i5-6300U, 1.6 GHz Celeron-3855U		
Chipset	By CPU		
Memory	Up to 32GB DDR4 SO-DIMM		
Video Controller	INTEL HD Graphics 520		
External Video Output	Three HDMI 4K/30		
Storage Option	SATA DOM, 2.5" HDD, 2.5" SSD, CFAST Card		
CFAST	Optional		
Keyboard / Mouse	USB		
Audio	YES		
Watchdog Timer	YES		
Remote Boot	PXE, ThinManager Ready		
Expansion Slot	Mini PCIe x 1		
I/O Communication			
USB Port	6 x USB 3.0 for celeron CPU (4x USB 3.0, 2 x USB 2.0)		
Serial Port	N/A		
IEEE 1394	N/A		
LAN	2 x Gigabit		
Parallel	N/A		
GPIO	N/A		
Smart Battery			
External Smart Battery	N/A		
OS Support			
OS Support	Windows 10		
Power / Thermal Specs			
	Celeron	i5	i7
Power Requirement (Max)			
Power Consumption (Average)			
Recommended Power Supply			
Heat Dissipation			
Physical Information			
Mounting	Desktop, VESA Mount option		
Net Weight			
Physical Dimension (WxHxD)	2.77 x 9.31 x 7.14 inch 70.5 x 236.5 x 181.0 mm		
Environmental			
Operating Temperature	0~35°C (32~95°F)		
Storage Temperature	-20~60°C (-4~140°F)		
Relative Humidity	0~95%		
IP/MENA Rating	N/A		
Certification	N/A		



Ordering Information				
	AP-3500-H01-003	AP-3500-H01-P03	AP-3500-H01-011-500	AP-3500-H01-011-700
CPU	Celeron 3850U	Celeron 3850U	i5-6300U	i7-6300U
Memory	8GB DDR4	8GB DDR4	32GB DDR4	32GB DDR4
Storage	N/A	N/A	2.5" HDD	2.5" HDD
Remote Boot	ThinManager Ready	PXE	N/A	N/A
Power Supply	110/220VAC Input	110/220VAC Input	110/220VAC Input	110/220VAC Input
Operating System	N/A	N/A	Option	Option



Dimensional Drawing



VESA Mount Bracket (optional)
Ordering Code: VESA-3500

