



Talk to us. We listen.



Smart Battery



USB 3.0



CFast

ARP-2200AP Series

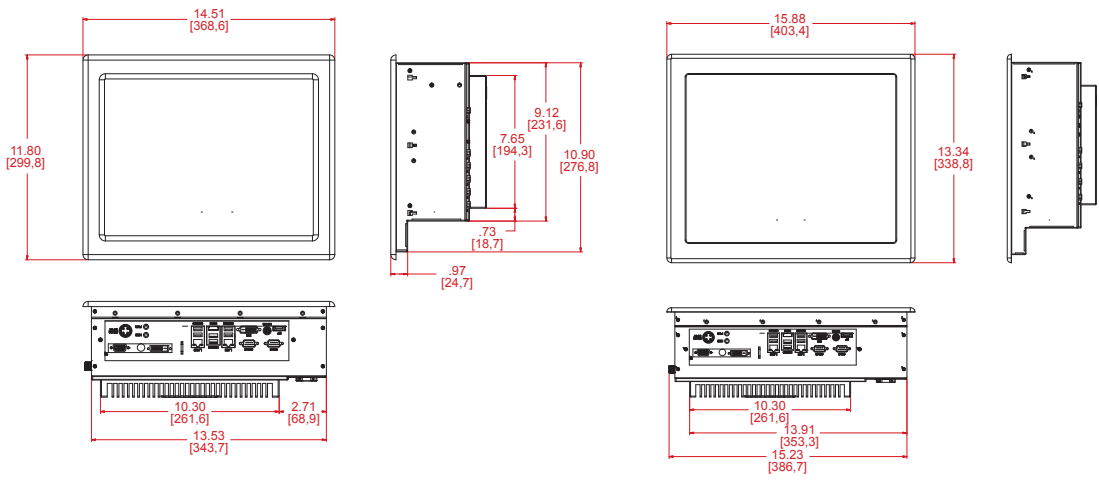
Class Div. 2 Hazardous Zone Touch Panel Computers



Specifications	ARP-2215AP-G00	ARP-2217AP-G00	ARP-2219AP-G00	ARP-2221AP-G00
LCD Display				
Display Size (Diagnol)	15.0 inch	17.0 inch	19.0 inch	21.5 inch
Resolution	1024 x 768	1280 x 1024	1280 x 1024	1920 x 1080
Backlight Lifetime (Hours)	50,000	50,000	50,000	50,000
Visual Characteristics				
Colors	16.7 millions	16.7 millions	16.7 millions	16.7 millions
Aspect ratio	4:3	5:4	5:4	16:9
Viewing angle (V/H)	140° / 160°	140° / 160°	160° / 170°	178° / 178°
Response time (Typical)	8 ms	30 ms	5 ms	14 ms
Pixel Pitch (mm)	0.264 x 0.264	0.264 x 0.264	0.294 x 0.294	0.248 x 0.248
Contrast ratio	700 : 1	800 : 1	1000 : 1	1000 : 1
Brightness	300 nits	350 nits	450 nits	250 nits
Touch Screen				
Technology	5 Wire Resistive	5 Wire Resistive	5 Wire Resistive	5 Wire Resistive
Touch rating	35 million touches	35 million touches	35 million touches	35 million touches
MTBF	490,000 hours	490,000 hours	490,000 hours	490,000 hours
Interface	USB	USB	USB	USB
Driver	WinXP Pro, Win7 Pro, Win Embedded 7	WinXP Pro, Win7 Pro, Win Embedded 7	WinXP Pro, Win7 Pro, Win Embedded 7	WinXP Pro, Win7 Pro, Win Embedded 7
Front Bezel				
NEMA 4	Black Powder Coated	Black Powder Coated	Black Powder Coated	Black Powder Coated
NEMA 4x	Stainless Steel (Optional)	Stainless Steel (Optional)	Stainless Steel (Optional)	Stainless Steel (Optional)
Rack Mount Bezel	N/A	N/A	N/A	N/A
System				
CPU	Intel i7 mobile Processor	Intel i7 mobile Processor	Intel i7 mobile Processor	Intel i7 mobile Processor
Chipset	Intel QM77	Intel QM77	Intel QM77	Intel QM77
Memory	Up to 16GB DDR3	Up to 16GB DDR3	Up to 16GB DDR3	Up to 16GB DDR3
Video Controller	Intel HD Graphics 4000	Intel HD Graphics 4000	Intel HD Graphics 4000	Intel HD Graphics 4000
2nd Video Interface	DVI, HDMI, Display Port	DVI, HDMI, Display Port	DVI, HDMI, Display Port	DVI, HDMI, Display Port
Storage Option	1 x 2.5" SATA HDD	2 x 2.5" SATA HDD	2 x 2.5" SATA HDD	2 x 2.5" SATA HDD
Compact Flash	N/A	N/A	N/A	N/A
Keyboard / Mouse	1 x PS / 2 connector	1 x PS / 2 connector	1 x PS / 2 connector	1 x PS / 2 connector
Audio	Line in, Line Out, Mic-In	Line in, Line Out, Mic-In	Line in, Line Out, Mic-In	Line in, Line Out, Mic-In
Watchdog Timer	Programmable 1 - 255 sec	Programmable 1 - 255 sec	Programmable 1 - 255 sec	Programmable 1 - 255 sec
Remote Boot	PXE	PXE	PXE	PXE
Expansion Slot	1 x PCIe x8	1 x PCIe x8	1 x PCIe x8	1 x PCIe x8
I/O Communication				
USB Port	4 x USB 2.0, 2 x USB 3.0	4 x USB 2.0, 2 x USB 3.0	4 x USB 2.0, 2 x USB 3.0	4 x USB 2.0, 2 x USB 3.0
Serial Port	3 x (RS-232), 2 x (RS-232/422/485)	3 x (RS-232), 2 x (RS-232/422/485)	3 x (RS-232), 2 x (RS-232/422/485)	3 x (RS-232), 2 x (RS-232/422/485)
IEEE 1394	N/A	N/A	N/A	N/A
LAN	Dual Gigabit LAN	Dual Gigabit LAN	Dual Gigabit LAN	Dual Gigabit LAN
Parallel	N/A	N/A	N/A	N/A
GPIO	N/A	N/A	N/A	N/A
Smart Battery				
External Smart Battery	N/A	N/A	N/A	N/A
OS Support				
OS Support	WinXP Pro, Win7 Pro, Win Embedded 7	WinXP Pro, Win7 Pro, Win Embedded 7	WinXP Pro, Win7 Pro, Win Embedded 7	WinXP Pro, Win7 Pro, Win Embedded 7
Power / Thermal Specs				
Power Requirement (Max)	24VDC / 3.54A	24VDC / 3.04A	24VDC / 3.18A	24VDC / 3.96A
Power Consumption (Max)	85 W	73 W	77 W	95 W
Heat Dissipation	290 BTU/hr	250 BTU/hr	261 BTU/hr	325 BTU/hr
Physical Information				
Mounting	Panel Mount	Panel Mount	Panel Mount	Panel Mount
Net Weight	21 Lbs / 9.5 Kg	24 Lbs / 10.9 Kg	27 Lbs / 12.2 Kg	28 Lbs / 12.7 Kg
Physical Dimension	14.51 x 11.80 x 4.57 inch 368.6 x 299.8 x 116.2 mm	15.88 x 13.34 x 4.81 inch 403.4 x 338.8 x 122.2 mm	17.80 x 14.60 x 4.77 inch 452.1 x 370.8 x 121.2 mm	20.98 x 12.99 x 5.78 inch 533.0 x 330.0 x 146.7 mm
Cutout Dimension (WxH)	13.75 x 11.10 inch 349.3 x 281.9 mm	15.07 x 12.51 inch 382.8 x 317.8 mm	17.00 x 13.78 inch 431.8 x 350.0 mm	19.92 x 12.35 inch 506.0 x 313.7 mm
Environmental				
Operating Temperature	0~50°C (32~122°F)	0~50°C (32~122°F)	0~50°C (32~122°F)	0~50°C (32~122°F)
Storage Temperature	-20~60°C (-4~140°F)	-20~60°C (-4~140°F)	-20~60°C (-4~140°F)	-20~60°C (-4~140°F)
Relative Humidity	0~95%	0~95%	0~95%	0~95%
IP/MENA Rating	Bezel meets NEMA 4/4X requirement	Bezel meets NEMA 4/4X requirement	Bezel meets NEMA 4/4X requirement	Bezel meets NEMA 4/4X requirement
Certification	UL 508, UL Class I Division II	UL 508, UL Class I Division II	UL 508, UL Class I Division II	UL 508, UL Class I Division II

Ordering Information		
	ARP-22XXAP-G00-011-DR	ARP-22XXAP-G00-015-DR
LCD Display	Standard	Standard
Touch Screen	5-Wire	5-Wire
Bezel	Black Powder Coated	Stainless Steel
CPU	i7 Mobile	i7 Mobile
Memory	16GB DDR3	16GB DDR3
Storage	2.5" SATA HDD	2.5" SATA HDD
ACP Enabled	N/A	N/A
Power Supply	110/220VAC Input	110/220VAC Input
	ARP-22XXAP-G00-031-DR	ARP-22XXAP-G00-035-DR
LCD Display	Standard	Standard
Touch Screen	5-Wire	5-Wire
Bezel	Black Powder Coated	Stainless Steel
CPU	i7 Mobile	i7 Mobile
Memory	16GB DDR3	16GB DDR3
Storage	2.5" SATA SSD	2.5" SATA SSD
ACP Enabled	N/A	N/A
Power Supply	110/220VAC Input	110/220VAC Input

ARP-2215AP-G00 | **ARP-2217AP-G00**



ARP-2219AP-G00 | **ARP-2221AP-G00**

