

# A-CRF-RFRM-R4-150

**RF magnetic stand, RP-SMA (male) to RP-SMA (female),  
RG-174/U cable, 1.5 m**



- > Small size for compact fit
- > Lightweight for portable deployment
- > Straight or magnetic base mount

## Specifications

### Antenna Characteristics

**Connector:** SMA Jack / SMA Plug

**Impedance:** 50±3 ohms

**V.S.W.R.:**

≤ 2.0 @ 100 MHz to 3 GHz

≤ 2.5 @ 4 GHz to 5 GHz

### Physical Characteristics

**Cable Type:** RG-174

**Cable Length:** 1.5 m

**Weight:** 118 g

**Dimensions:** Length = 40.5 mm (including base)

**Radome Color:** Black

**Radome Material:** Plastic

**Installation:** Magnetic mount

### Environmental Limits

**Operating Temperature:** -40 to 85°C (-40 to 185°F)

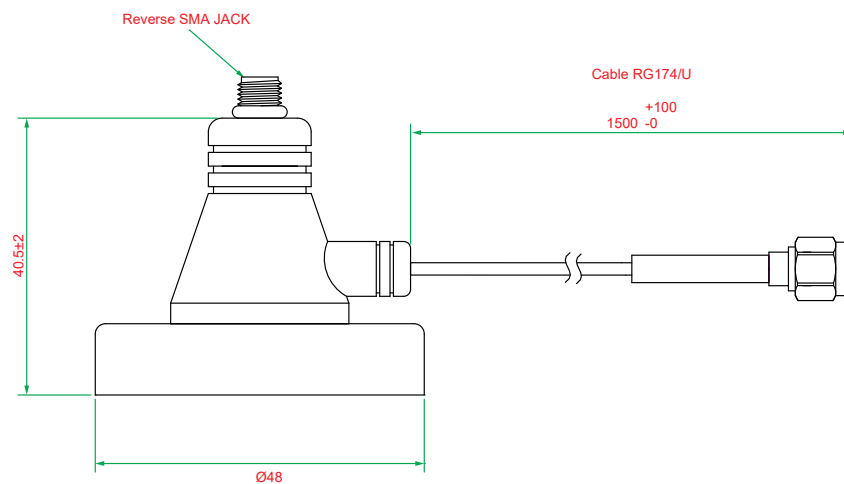
**Storage Temperature:** -40 to 85°C (-40 to 185°F)

### Warranty

**Warranty Period:** 1 year

**Details:** See [www.moxa.com/warranty](http://www.moxa.com/warranty)

## Dimensions



## Ordering Information

### Available Models

**A-CRF-RFRM-R4-150:** RF magnetic stand, RP-SMA (male) to RP-SMA (female), RG-174/U cable, 1.5 m

### Can be used with the following products

**AWK Series:** AWK-1131A/3131A/1137C