

ABC-01-P-M12

Configuration backup and restoration tool for managed switches and wireless APs/Bridges/Clients



- > Plug-n-Play system configuration backup and restoration
- > Rugged design to enhance reliability
- > Supports Moxa's managed Ethernet switches and wireless APs/bridges/clients
- > Designed to be continuously plugged in to Moxa's managed Ethernet switches and wireless APs/bridges/clients
- > Complies with all EN 50155 mandatory test items*

*This product is suitable for rolling stock railway applications, as defined by the EN 50155 standard. For a more detailed statement, click here: www.moxa.com/doc/specs/EN_50155_Compliance.pdf



Introduction

The ABC-01-P-M12 is designed for system backup and restoration to enhance maintenance efficiency and reduce system downtime in railway applications, including rolling stock and wayside installations. The ABC-01-P-M12 Automatic Backup Configurator tool can be used to save and load the configuration of Moxa's ToughNet managed Ethernet switches and wireless APs/bridges/clients through the RS-232 console port. The ABC-01-P-M12 can be continuously plugged in to Moxa's Ethernet switches and wireless APs/bridges/clients while the devices

are operating, and makes it easier to back up system parameters and manage configurations. With the ABC-01-P-M12, you can quickly configure a replacement switch (of the same model).

The ABC-01-P-M12 is compliant with mandatory sections of EN 50155, covering operating temperature, surge, ESD, and vibration, as well as conformal coating, making the ABC-01-P-M12 suitable for a variety of industrial applications.

Features

- RS-232 M12 console port connection
- Complete configuration storage, including the IP address for one switch
- Automatic loading of system configuration after system reboot
- Manual loading and saving of system configuration through web console
- Portable low-power design that requires no power supply
- Designed to be continuously plugged into the Moxa device

Specifications

Interface

Connectors: RS-232 M12 port

Basic Operation

Storage Capacity: 64 KB

Power Requirements

Input Voltage: 3 to 5 VDC, power input via RS-232 RTS

Physical Characteristics

Housing: Aluminum

IP Rating: IP67 protection

Dimensions: 55 mm x Ø20 mm (2.17 in x Ø0.79 in)

Weight: 35 g (0.08 lb)

Environmental Limits

Operating Temperature: -40 to 75°C (-40 to 167°F)

Storage Temperature: -40 to 85°C (-40 to 185°F)

Ambient Relative Humidity: 5 to 95 % (non-condensing)

Altitude: 2000 m

Standards and Certifications

EMI: CISPR 32, FCC Part 15B Class A

EMS:

IEC 61000-4-2 ESD: Contact: 6 kV; Air: 8 kV

IEC 61000-4-3 RS: 20 V/m (80 MHz to 1 GHz)

IEC 61000-4-4 EFT: Power: 2 kV; Signal: 2 kV

IEC 61000-4-5 Surge: Power: 2 kV; Signal: 2 kV

IEC 61000-4-6 CS: 10 V

IEC 61000-4-8

Rail Traffic: (for plug in installations)

EN 50155*, EN 50121-4, EN 45545-2

*This product is suitable for rolling stock railway applications, as defined by the EN 50155 standard. For a more detailed statement, click here: www.moxa.com/doc/specs/EN_50155_Compliance.pdf

Shock: EN 50155, IEC 61373

Freefall: IEC 60068-2-31

Vibration: EN 50155, IEC 61373

MTBF (mean time between failures)

Time: 19,563,216 hrs

Standard: Telcordia SR332

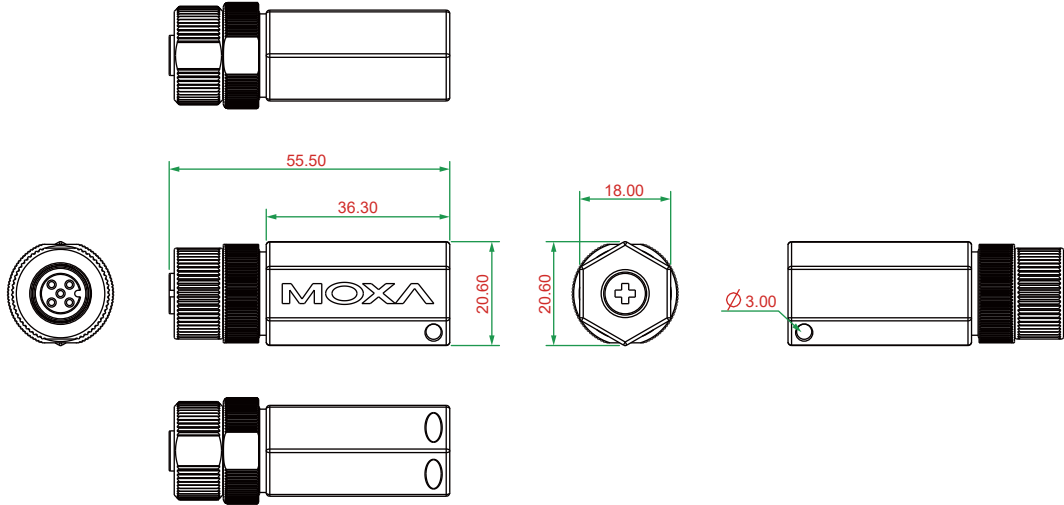
Warranty

Warranty Period: 5 years

Details: See www.moxa.com/warranty

Dimensions

Unit: mm



: Ordering Information

Available Models

ABC-01-P-M12-CT-T: Configuration backup and restoration tool with M12 connector for Moxa's ToughNet series of managed Ethernet switches and wireless APs/bridges/clients, -40 to 75°C operating temperature, conformal coating

Package Checklist

- ABC-01-P-M12 configuration backup tool
- Quick installation guide (printed)
- Warranty card