

ANT-WDB-ARM-0202

1.8/1.8 dBi, RP-SMA (male) antenna



- > Small size for compact fit
- > Lightweight for portable deployment
- > Tilt and swivel design
- > Flexible installation
- > RP-SMA connector (male) supported

Specifications

Antenna Characteristics

Frequency: 2.4 to 2.5, 4.9 to 5.825 GHz
Antenna Type: Omni-directional
Typical Antenna Gain: 1.8 dBi at 2.4 GHz, 1.8 dBi at 5 GHz
Connector: RP-SMA (male)
Impedance: 50 ohms
Polarization: Linear, vertical or horizontal
V.S.W.R.: 1.92 max

Physical Characteristics

Weight: 9.65 g
Dimensions: Length: 136 mm
Radome Color: Black

Radome Material: Plastic
Installation: Straight mount

Environmental Limits

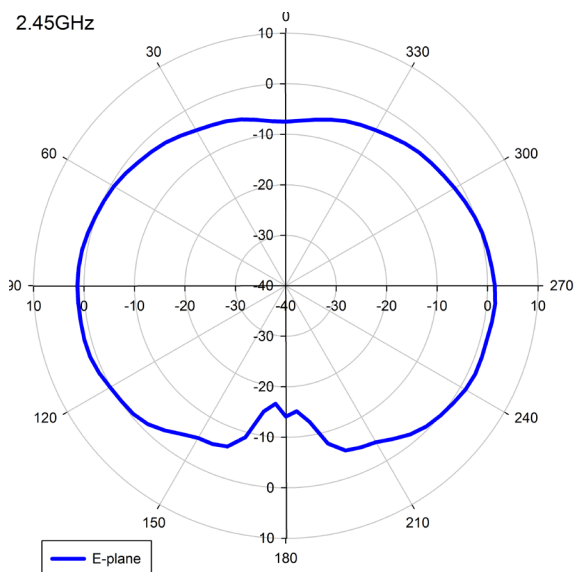
Operating Temperature: -40 to 75°C (-40 to 167°F)
Storage Temperature: -40 to 75°C (-40 to 167°F)
Ambient Relative Humidity: 5 to 95% (30°C, non-condensing)

Warranty

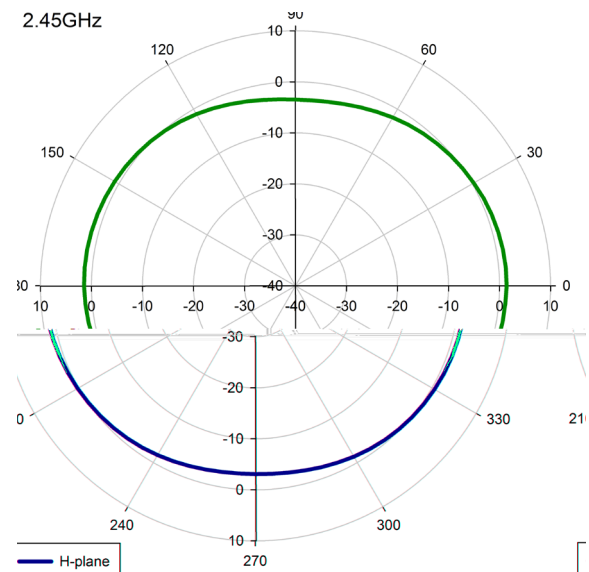
Warranty Period: 1 year
Details: See www.moxa.com/warranty

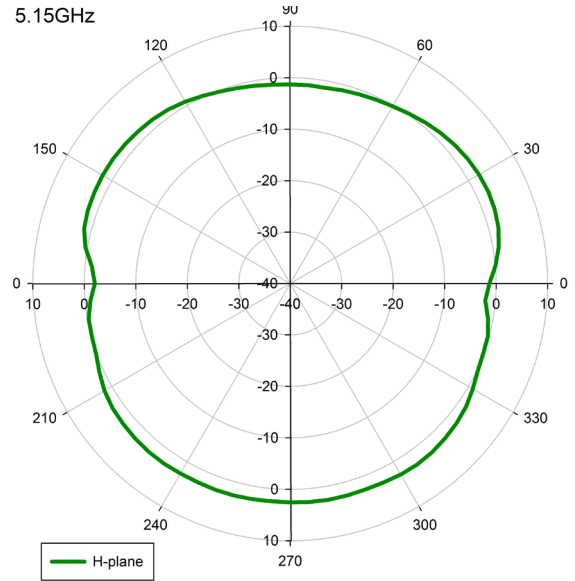
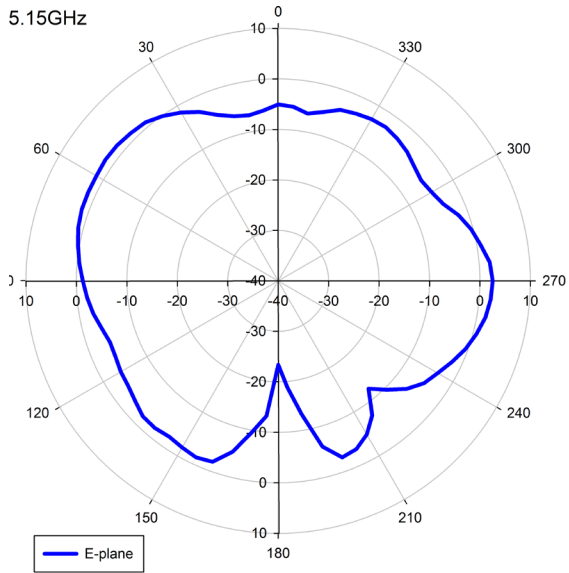
Field Patterns

E-plane



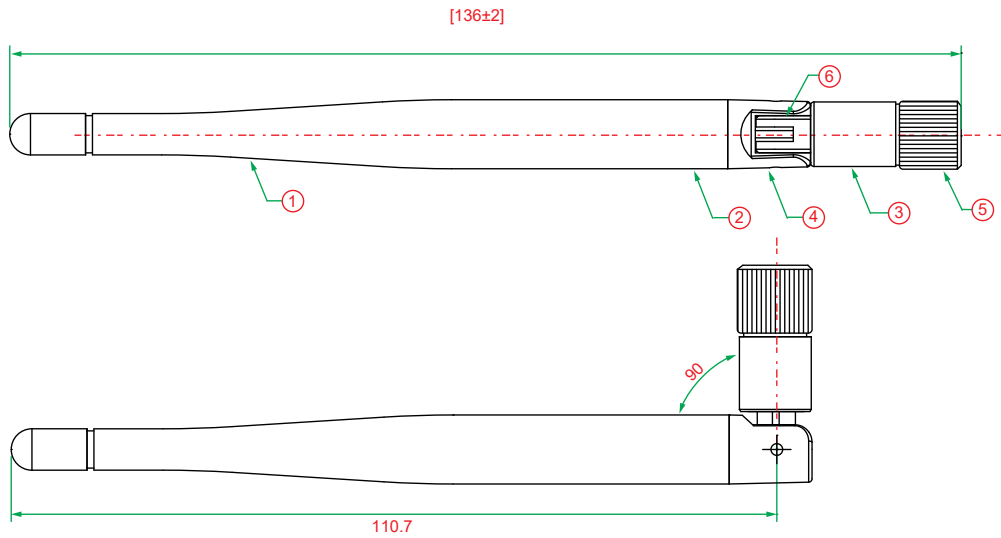
H-plane





Dimensions

Unit: mm



Ordering Information

Available Models

ANT-WDB-ARM-0202: 2.4/5.5 GHz 1.8 dBi dual-band antenna, RP-SMA (male) connector

Can be used with the following products

AWK Series: AWK-1131A/3131A/1137C