

# ANT-WSB5-PNF-18

**Directional panel antenna: 18 dBi at 5 GHz**



- > High gain antenna
- > N-type (female) connector supported

## Specifications

### Antenna Characteristics

**Frequency:** 5.1 to 5.9 GHz  
**Antenna Type:** Omni-directional  
**Typical Antenna Gain:** 18 dBi  
**Connector:** N-type (female)  
**Impedance:** 50 ohms  
**Polarization:** Linear, vertical  
**HPBW/horizontal:** 10°  
**HPBW/vertical:** 10°  
**V.S.W.R.:** 1:1.5 max.

### Physical Characteristics

**Weight:** 310 g  
**Dimensions:** 270 x 205 x 15 mm  
**IP Rating:** IP65  
**Radome Color:** Gray-White  
**Radome Material:** PC and ABS

### Environmental Limits

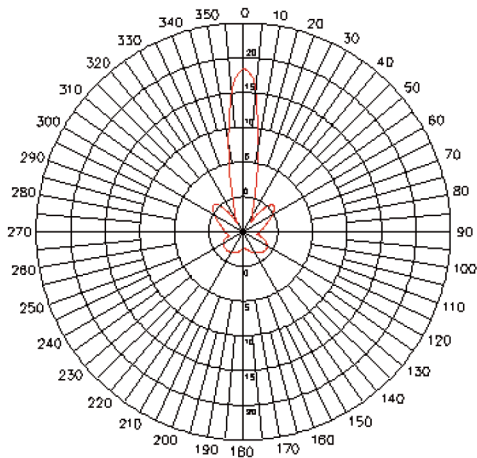
**Operating Temperature:** -40 to 80°C (-40 to 176°F)  
**Storage Temperature:** -40 to 80°C (-40 to 176°F)  
**Ambient Relative Humidity:** 5 to 95% (30°C, non-condensing)

### Warranty

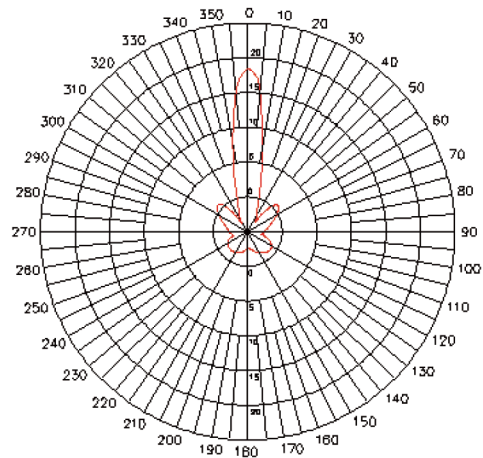
**Warranty Period:** 1 year  
**Details:** See [www.moxa.com/warranty](http://www.moxa.com/warranty)

## Field Patterns

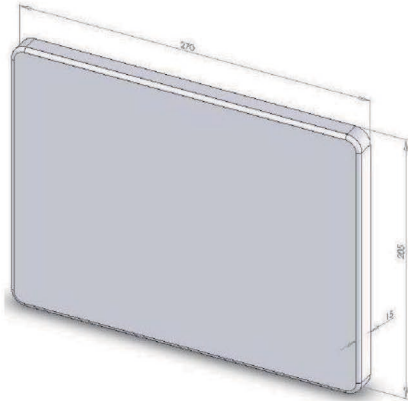
### H-plane



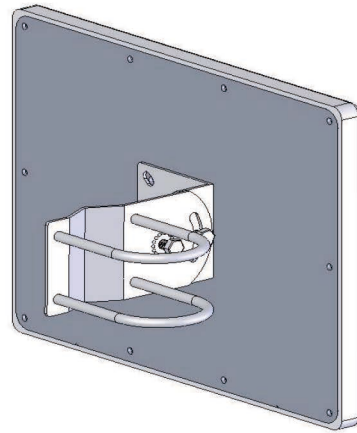
### E-plane



### Dimensions



### Mounting



### : Ordering Information

#### Available Models

**ANT-WSB5-PNF-18:** 5 GHz panel antenna, 18 dBi, N-type (female) connector

#### Can be used with the following products

**AWK Series:** AWK-4131A