

AWK-3131A Series

Industrial IEEE 802.11a/b/g/n wireless AP/bridge/client



- > IEEE 802.11a/b/g/n AP/bridge/client support
- > Seamless roaming with Turbo Roaming
- > Complete redundancy with AeroLink Protection
- > Integrated antenna and power isolation
- > -40 to 75°C operating temperature range (-T models)
- > 5 GHz DFS channel support



Introduction

The AWK-3131A 3-in-1 industrial wireless AP/bridge/client meets the growing need for faster data transmission speeds by supporting IEEE 802.11n technology with a net data rate of up to 300 Mbps. The AWK-3131A is compliant with industrial standards and approvals covering operating temperature, power input voltage, surge, ESD, and vibration. The two redundant DC power inputs increase the reliability of the power supply, and the AWK-3131A can be powered via PoE to make deployment easier. The AWK-3131A can operate on either the 2.4 or 5 GHz bands and is backwards-compatible with existing 802.11a/b/g deployments to future-proof your wireless investments.

Advanced 802.11n Industrial Wireless Solution

- 802.11a/b/g/n compliant AP/bridge/client for flexible deployment
- Software optimized for long distance wireless communication with up to 1 km line of sight and external high-gain antenna (available only on 5 GHz)

- Supports 60 clients connected concurrently
- DFS channel support allows a wider range of 5 GHz channel selection to avoid interference from existing wireless infrastructure

Advanced Wireless Technology

- Seamless roaming with client-based Turbo Roaming for < 150 ms roaming recovery time between APs (Client mode)
- Supports AeroLink Protection for creating a redundant wireless link (< 300 ms recovery time) between an AP and its clients (Client mode)

Industrial Ruggedness

- Integrated antenna and power isolation designed to provide 500 V insulation protection against external electrical interference
- Hazardous location wireless communication with Class I Div II and ATEX Zone 2 certifications
- -40 to 75°C wide operating temperature models (-T) provided for smooth wireless communication in harsh environments

Specifications

WLAN Interface

Standards:

- IEEE 802.11a/b/g/n for Wireless LAN
- IEEE 802.11i for Wireless Security
- IEEE 802.3 for 10BaseT
- IEEE 802.3u for 100BaseT(X)
- IEEE 802.3ab for 1000BaseT
- IEEE 802.3af for Power-over-Ethernet
- IEEE 802.1D for Spanning Tree Protocol
- IEEE 802.1w for Rapid STP
- IEEE 802.1Q for VLAN

Spread Spectrum and Modulation (typical):

- DSSS with DBPSK, DQPSK, CCK
- OFDM with BPSK, QPSK, 16QAM, 64QAM
- 802.11b: CCK @ 11/5.5 Mbps, DQPSK @ 2 Mbps, DBPSK @ 1 Mbps
- 802.11a/g: 64QAM @ 54/48 Mbps, 16QAM @ 36/24 Mbps, QPSK @ 18/12 Mbps, BPSK @ 9/6 Mbps
- 802.11n: 64QAM @ 300 Mbps to BPSK @ 6.5 Mbps (multiple rates supported)

Operating Channels (central frequency):

US:

- 2.412 to 2.462 GHz (11 channels)
- 5.180 to 5.240 GHz (4 channels)
- 5.260 to 5.320 GHz (4 channels)*
- 5.500 to 5.700 GHz (8 channels, excluding 5.600 to 5.640 GHz)*
- 5.745 to 5.825 GHz (5 channels)

EU:

- 2.412 to 2.472 GHz (13 channels)
- 5.180 to 5.240 GHz (4 channels)
- 5.260 to 5.320 GHz (4 channels)*
- 5.500 to 5.700 GHz (11 channels)*

JP:

- 2.412 to 2.484 GHz (14 channels)
- 5.180 to 5.240 GHz (4 channels)
- 5.260 to 5.320 GHz (4 channels)*
- 5.500 to 5.700 GHz (11 channels)*

*DFS (Dynamic Frequency Selection) channel support: In AP mode, when a radar signal is detected, the device will automatically switch to another channel. However according to regulations, after switching channels, a 60-second availability check period is required before starting the service.

Security:

- SSID broadcast enable/disable
- Firewall for MAC/IP/Protocol/Port-based filtering
- 64-bit and 128-bit WEP encryption, WPA/WPA2-Personal and Enterprise (IEEE 802.1X/RADIUS, TKIP, and AES)

Transmission Rates:

802.11b: 1, 2, 5.5, 11 Mbps
 802.11a/g: 6, 9, 12, 18, 24, 36, 48, 54 Mbps
 802.11n: 6.5 to 300 Mbps (multiple rates supported)

Transmitter Power:

802.11b:
 Typ. 26±1.5 dBm @ 1 Mbps, Typ. 26±1.5 dBm @ 2 Mbps
 Typ. 26±1.5 dBm @ 5.5 Mbps, Typ. 25±1.5 dBm @ 11 Mbps
 802.11g:
 Typ. 23±1.5 dBm @ 6 to 24 Mbps, Typ. 21±1.5 dBm @ 36 Mbps
 Typ. 19±1.5 dBm @ 48 Mbps, Typ. 18±1.5 dBm @ 54 Mbps
 802.11n (2.4 GHz):
 Typ. 23±1.5 dBm @ MCS0/8 20 MHz,
 Typ. 18±1.5 dBm @ MCS7/15 20 MHz
 Typ. 23±1.5 dBm @ MCS0/8 40 MHz,
 Typ. 17±1.5 dBm @ MCS7/15 40 MHz
 802.11a:
 Typ. 23±1.5 dBm @ 6 to 24 Mbps, Typ. 21±1.5 dBm @ 36 Mbps
 Typ. 20±1.5 dBm @ 48 Mbps, Typ. 18±1.5 dBm @ 54 Mbps
 802.11n (5 GHz):
 Typ. 23±1.5 dBm @ MCS0/8 20 MHz,
 Typ. 18±1.5 dBm @ MCS7/15 20 MHz
 Typ. 23±1.5 dBm @ MCS0/8 40 MHz,
 Typ. 17±1.5 dBm @ MCS7/15 40 MHz

Note: Based on regional regulations, the maximum transmission power allowed on the UNII bands is restricted in the firmware, as indicated below:

	US	EU	JP
2.4 GHz	26 dBm	18 dBm	18 dBm
5 GHz (UNII-1)	23 dBm	21 dBm	23 dBm
5 GHz (UNII-2)	23 dBm	21 dBm	23 dBm
5 GHz (UNII-2e)	23 dBm	23 dBm	23 dBm
5 GHz (UNII-3)	23 dBm	–	–

Receiver Sensitivity:

802.11b:
 -93 dBm @ 1 Mbps, -93 dBm @ 2 Mbps
 -93 dBm @ 5.5 Mbps, -88 dBm @ 11 Mbps
 802.11g:
 -88 dBm @ 6 Mbps, -86 dBm @ 9 Mbps
 -85 dBm @ 12 Mbps, -85 dBm @ 18 Mbps
 -85 dBm @ 24 Mbps, -82 dBm @ 36 Mbps
 -78 dBm @ 48 Mbps, -74 dBm @ 54 Mbps
 802.11n (2.4 GHz):
 -70 dBm @ MCS7 20 MHz, -69 dBm @ MCS15 20 MHz
 -67 dBm @ MCS7 40 MHz, -67 dBm @ MCS15 40 MHz
 802.11a:
 -90 dBm @ 6 Mbps, -88 dBm @ 9 Mbps
 -88 dBm @ 12 Mbps, -85 dBm @ 18 Mbps
 -81 dBm @ 24 Mbps, -78 dBm @ 36 Mbps
 -74 dBm @ 48 Mbps, -72 dBm @ 54 Mbps
 802.11n (5 GHz):
 -69 dBm @ MCS7 20 MHz, -71 dBm @ MCS15 20 MHz
 -63 dBm @ MCS7 40 MHz, -68 dBm @ MCS15 40 MHz

Protocol Support

General Protocols: Proxy ARP, DNS, HTTP, HTTPS, IP, ICMP, SNMP, TCP, UDP, RADIUS, SNMP, DHCP, VLAN, STP/RSTP

Interface

Default Antennas: 2 dual-band omni-directional antennas, 2 dBi, RP-SMA (male)
LAN Ports: 1, RJ45, 10/100/1000BaseT(X) auto negotiation speed, F/H duplex mode, and auto MDI/MDI-X connection
Console Port: RS-232 (RJ45-type)
Reset: Present
LED Indicators: PWR1, PWR2, PoE, FAULT, STATE, SIGNAL *, WLAN, LAN

*signal strength indicator

Alarm Contact (digital output): 1 relay output with current carrying capacity of 1 A @ 24 VDC

Digital Inputs: 2 electrically isolated inputs

- +13 to +30 V for state "1"
- +3 to -30 V for state "0"
- Max. input current: 8 mA

Connector for External Antennas: RP-SMA (female), 500 V insulation

Management

Device Management: Wireless Search Utility, MXconfig, SNMP

Network Monitoring: MXview

Physical Characteristics

Housing: Metal, IP30 protection

Weight: 860 g (1.9 lb)

Dimensions: 52.7 x 135 x 105 mm (2.08 x 5.32 x 4.13 in)

Installation: DIN-rail mounting (standard), wall mounting (optional)

Environmental Limits

Operating Temperature:

Standard Models: -25 to 60°C (-13 to 140°F)

Wide Temp. Models: -40 to 75°C (-40 to 167°F)

Storage Temperature: -40 to 85°C (-40 to 185°F)

Ambient Relative Humidity: 5% to 95% (non-condensing)

Power Requirements

Input Voltage: 12 to 48 VDC, redundant dual DC power inputs or 48 VDC Power-over-Ethernet Plus (IEEE 802.3af compliant)

Input Current: 0.6 A @ 12 VDC; 0.15 A @ 48 VDC

Connector: 10-pin removable terminal block, 500 V insulation

Power Consumption: 7.2 W

Reverse Polarity Protection: Present

Standards and Certifications

Safety: UL 60950-1, EN 60950-1

Hazardous Location: UL/cUL Class I Division 2, ATEX Zone 2

EMC: EN 61000-6-2/6-4

EMI: CISPR 22, FCC Part 15B Class B

EMS:

IEC 61000-4-2 ESD: Contact: 8 kV; Air: 15 kV

IEC 61000-4-3 RS: 80 MHz to 1 GHz: 3 V/m

IEC 61000-4-4 EFT: Power: 2 kV; Signal: 2 kV

IEC 61000-4-5 Surge: Power: 2 kV; Signal: 1 kV

IEC 61000-4-6 CS: 3 V/m

IEC 61000-4-8 PFMF: 1 A/m

Radio: EN 301 489-1/17, EN 300 328, EN 301 893, TELEC, FCC ID

SLE-WAPN008, KC, RCM, MIC, ANATEL, WPC, SRRC

Note: Please check Moxa's website for the most up-to-date certification status.

MTBF (mean time between failures)

Time: 570,854 hrs

Standard: Telcordia SR332

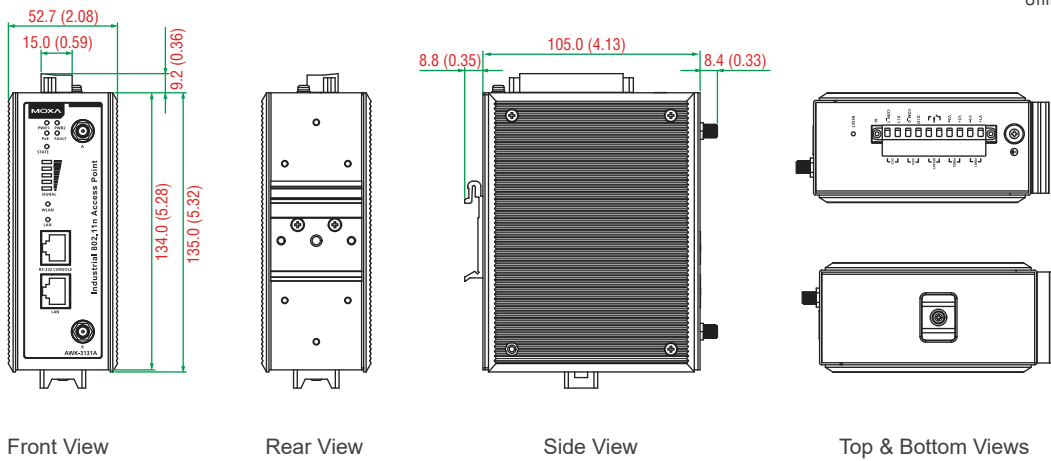
Warranty

Warranty Period: 5 years

Details: See www.moxa.com/warranty

Dimensions

Unit: mm (inch)



Ordering Information

Available Models

- AWK-3131A-US:** IEEE 802.11a/b/g/n wireless AP/bridge/client, US band, -25 to 60°C operating temperature
 - AWK-3131A-US-T:** IEEE 802.11a/b/g/n wireless AP/bridge/client, US band, -40 to 75°C operating temperature
 - AWK-3131A-EU:** IEEE 802.11a/b/g/n wireless AP/bridge/client, EU band, -25 to 60°C operating temperature
 - AWK-3131A-EU-T:** IEEE 802.11a/b/g/n wireless AP/bridge/client, EU band, -40 to 75°C operating temperature
 - AWK-3131A-JP:** IEEE 802.11a/b/g/n wireless AP/bridge/client, JP band, -25 to 60°C operating temperature
 - AWK-3131A-JP-T:** IEEE 802.11a/b/g/n wireless AP/bridge/client, JP band, -40 to 75°C operating temperature
- Note: Please visit Moxa's website for a complete list of optional wireless accessories and antennas available for Moxa's wireless products.

Package Checklist

- AWK-3131A wireless AP/bridge/client
- 2 2.4/5 GHz antennas: ANT-WDB-ARM-02
- DIN-rail kit
- 2 plastic RJ45 protective caps
- Cable holder with one screw
- Quick installation guide (printed)
- Warranty card