

IM-6700 Series

Fast Ethernet modules for IKS-6726-2GTXSFP/IKS-6728-4GTXSFP series switches

Specifications

Fast Ethernet Interface Modules, IM-6700 series



IM-6700-8TX



IM-6700-8SFP*



IM-6700-6SSC
IM-6700-6MSC



IM-6700-6MST



IM-6700-2MSC4TX
IM-6700-2SSC4TX



IM-6700-2MST4TX



IM-6700-4MSC2TX
IM-6700-4SSC2TX



IM-6700-4MST2TX

*See below for SFP-1FE Fast Ethernet module product information.

Interface

RJ45 Ports: 10/100BaseT(X) auto negotiation speed, Full/Half duplex mode, and auto MDI/MDI-X connection

Fiber Ports: 100BaseFX ports (SC/ST or SFP LC connector)

LED Indicators: 10/100 for TP port, 100M for fiber port

Power Requirements

Power Consumption:

IM-6700-8TX: 1.43 W

IM-6700-8SFP: 9.95 W

IM-6700-6MSC, -6MST, -6SSC: 8.20 W

IM-6700-4MSC2TX, -4MST2TX: 5.72 W

IM-6700-2MSC4TX, -2MST4TX, -2SSC4TX: 3.45 W

Physical Characteristics

Weight:

IM-6700-8TX: 225gs

IM-6700-8SFP: 295gs

IM-6700-6MSC, -6MST, -6SSC: 390gs

IM-6700-4MSC2TX, -4MST2TX, -4SSC2TX: 270gs

IM-6700-2MSC4TX, -2MST4TX, -2SSC4TX: 270gs

Reliability

MTBF (mean time between failures):

IM-6700-8TX: 10,412,400 hrs

IM-6700-8SFP: 3,510,110 hrs

IM-6700-6MSC: 366,119 hrs

IM-6700-6MST: 365,741 hrs

IM-6700-6SSC: 365,741 hrs

IM-6700-4MSC2TX: 530,268 hrs

IM-6700-4MST2TX: 537,942 hrs

IM-6700-2MSC4TX: 1,031,180 hrs

IM-6700-2MST4TX: 1,031,180 hrs

IM-6700-2SSC4TX: 1,031,180 hrs

Database: Telcordia (Bellcore), GB

Warranty

Warranty Period: 5 years

Details: See www.moxa.com/warranty

Optical Fiber

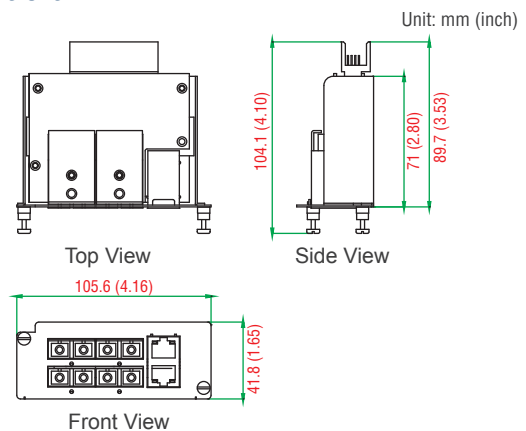
	100BaseFX	
	Multi-mode	Single-mode
Wavelength	1300 nm	1310 nm
Max. TX	-10 dBm	0 dBm
Min. TX	-20 dBm	-5 dBm
RX Sensitivity	-32 dBm	-34 dBm
Link Budget	12 dB	29 dB
Typical Distance	5 km ^a 4 km ^b	40 km ^c
Saturation	-6 dBm	-3 dBm

a. 50/125 μm, 800 MHz*km fiber optic cable

b. 62.5/125 μm, 500 MHz*km fiber optic cable

c. 9/125 μm single-mode fiber optic cable

Dimensions



: Ordering Information

Compatible Rackmount Ethernet Switch Systems

Modular Rackmount Ethernet Switch System:

IKS-6726-2GTXSFP



IKS-6728-4GTXSFP



Fast Ethernet Modules, IM-6700 Series

Available Models	Port Interface				
	10/100BaseT(X)	100BaseFX			100BaseSFP*
		Multi-mode, SC Connector	Multi-mode, ST Connector	Single-mode, SC Connector	
IM-6700-8TX	8	–	–	–	–
IM-6700-8SFP	–	–	–	–	8
IM-6700-6MSC	–	6	–	–	–
IM-6700-6MST	–	–	6	–	–
IM-6700-6SSC	–	–	–	6	–
IM-6700-4MSC2TX	2	4	–	–	–
IM-6700-4MST2TX	2	–	4	–	–
IM-6700-4SSC2TX	2	–	–	4	–
IM-6700-2MSC4TX	4	2	–	–	–
IM-6700-2MST4TX	4	–	2	–	–
IM-6700-2SSC4TX	4	–	–	2	–

*See below for SFP-1FE series Fast Ethernet SFP module product information.

Package Checklist

- IM-6700 series interface module
- Warranty card