

# INJ-24 Series

## Gigabit IEEE 802.3af/at PoE+ injectors



- > PoE+ injector for 10/100/1000M networks; inject power and data to PD (Power Device) equipment
- > IEEE 802.3af/at compliant; supports a full 30 watt output
- > 24/48 VDC wide range power input
- > -40 to 75°C operating temperature range (T model)



### Specifications

#### Technology

##### Standards:

- IEEE 802.3af/at for Power-over-Ethernet
- IEEE 802.3 for 10BaseT
- IEEE 802.3u for 100BaseT(X)
- IEEE 802.3ab for 1000BaseT(X)

##### Interface

- RJ45 Ports:** 10/100/1000BaseT(X) for PoE OUT and DATA IN
- PoE Pinout:** V+, V+, V-, V- for pin 4, 5, 7, 8 (Midspan, MDI Alternative B)

##### Power Requirements

- Input Voltage:** 24/48 VDC, single input
- Operating Voltage:** 22 to 57 VDC
- Input Current:** 1.42 A @ 24 VDC
- Overload Current Protection:** Present
- Connection:** 1 removable 3-contact terminal block
- Reverse Polarity Protection:** Present
- Power Consumption:** Max. 4.08 W full loading without PD's consumption
- Power Budget:** Max. 30 W for 1 PD's consumption

##### Physical Characteristics

- Housing:** Plastic
- IP Rating:** IP30 protection
- Dimensions:** 24.9 × 100 × 86.2 mm (0.98 × 3.93 × 3.39 in)
- Weight:** 115 g (0.26 lb)
- Installation:** DIN-rail mounting

##### Environmental Limits

- Operating Temperature:**
  - Standard Models: 0 to 60°C (32 to 140°F)
  - Wide Temp. Models: -40 to 75°C (-40 to 167°F)
- Storage Temperature:** -40 to 85°C (-40 to 185°F)
- Ambient Relative Humidity:** 5 to 95% (non-condensing)

#### Standards and Certifications

- Safety:** UL 508, EN 60950-1 (LVD)
  - EMC:** EN 55032/24
  - EMI:** CISPR 32, FCC Part 15B Class A
  - EMS:**
    - IEC 61000-4-2 ESD: Contact: 6 kV; Air: 8 kV
    - IEC 61000-4-3 RS: 80 MHz to 1 GHz: 10 V/m
    - IEC 61000-4-4 EFT: Power: 2 kV; Signal: 1 kV
    - IEC 61000-4-5 Surge: Power: 2 kV; Signal: 2 kV
    - IEC 61000-4-6 CS: Signal: 10 V
    - IEC 61000-4-8
  - Shock:** IEC 60068-2-27
  - Freefall:** IEC 60068-2-32
  - Vibration:** IEC 60068-2-6
- Note: Please check Moxa's website for the most up-to-date certification status.*

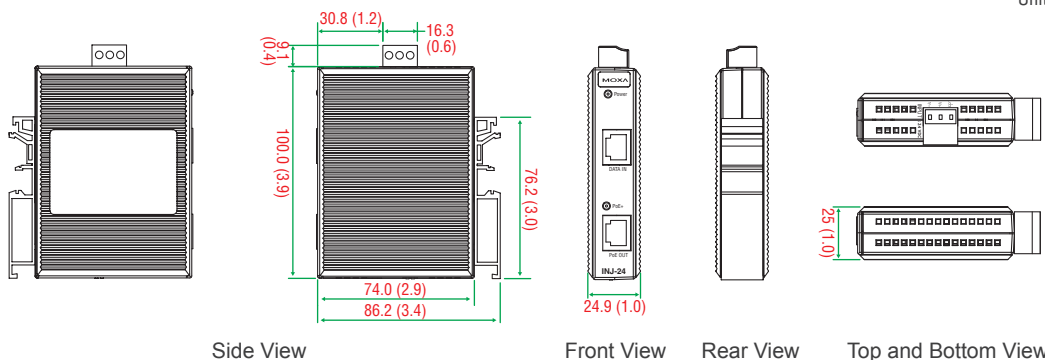
#### MTBF (mean time between failures)

- Time:** 2,525,278 hrs
- Standard:** Telcordia (Bellcore), GB

#### Warranty

- Warranty Period:** 5 years
- Details:** See [www.moxa.com/warranty](http://www.moxa.com/warranty)

### Dimensions



## : Ordering Information

### Available Models

**INJ-24:** PoE+ Injector, maximum output of 30 W at 24/48 VDC, 0 to 60°C operating temperature

**INJ-24-T:** PoE+ Injector, maximum output of 30 W at 24/48 VDC, -40 to 75°C operating temperature

### Package Checklist

- INJ-24 PoE+ injector
- Hardware installation guide (printed)
- Warranty card