

MAT-WDB-DA-RM-2-0203-1m

MIMO 2x2, 2.4/5 GHz, dual-band desktop antenna, 2/3 dBi, RP-SMA-type (male), 1 m cable



- > Small size for compact fit
- > Desktop mount
- > RP-SMA connector (male) supported

Specifications

Antenna Characteristics

Frequency: 2.4 to 2.5 GHz, 4.9 to 5.85 GHz

Antenna Type: Omni-directional

Typical Antenna Gain: 2/3 dBi

Connector: RP-SMA (male)

Impedance: 50 ohms

Polarization: Linear, vertical

V.S.W.R.: 2.0 max

Physical Characteristics

Cable Type: RG-174

Cable Length: 1 m

Weight: 156 g

Dimensions: Length: 194.3 mm (including RF cable)

Radome Color: Black

Radome Material: PC-1250G

Environmental Limits

Operating Temperature: -40 to 75°C (-40 to 167°F)

Storage Temperature: -40 to 75°C (-40 to 167°F)

Ambient Relative Humidity: 5 to 95% (30°C, non-condensing)

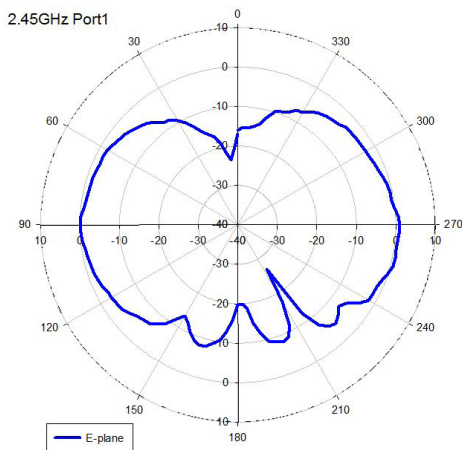
Warranty

Warranty Period: 1 year

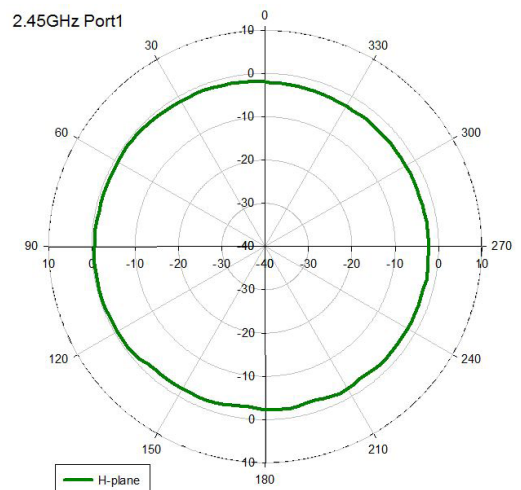
Details: See www.moxa.com/warranty

Field Patterns

E-plane

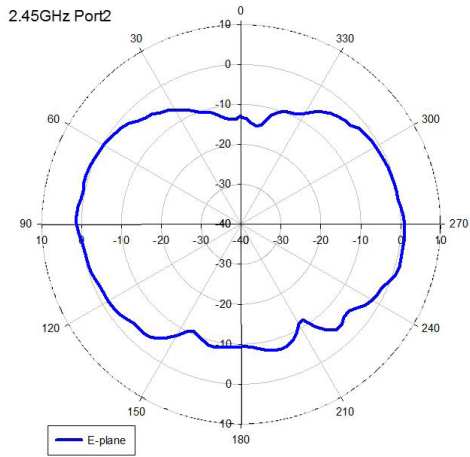


H-plane

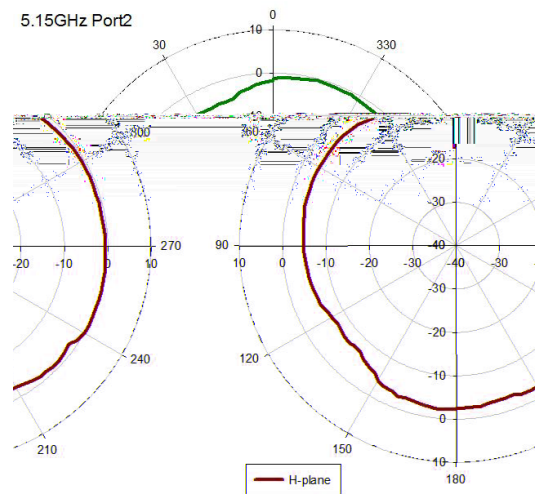
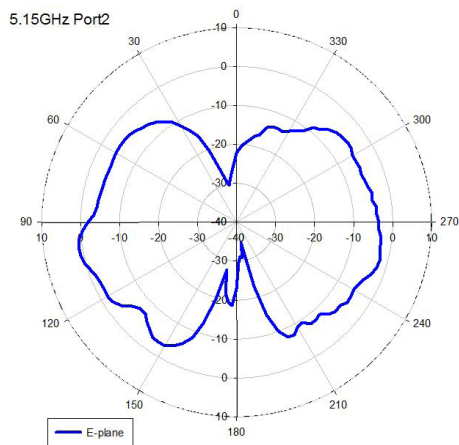
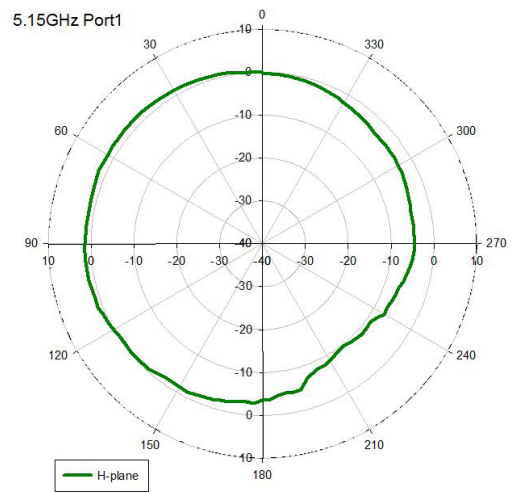
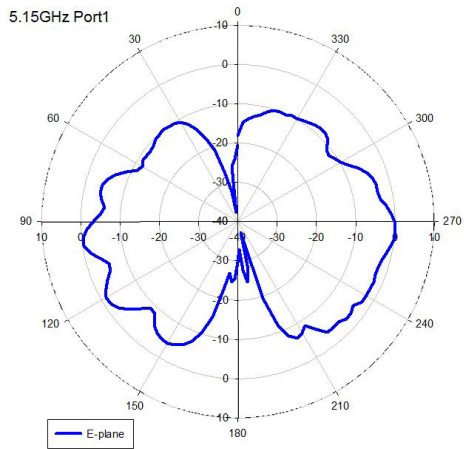
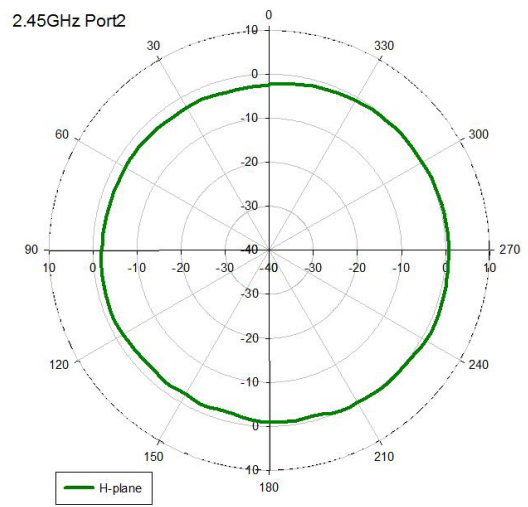


Field Patterns

E-plane

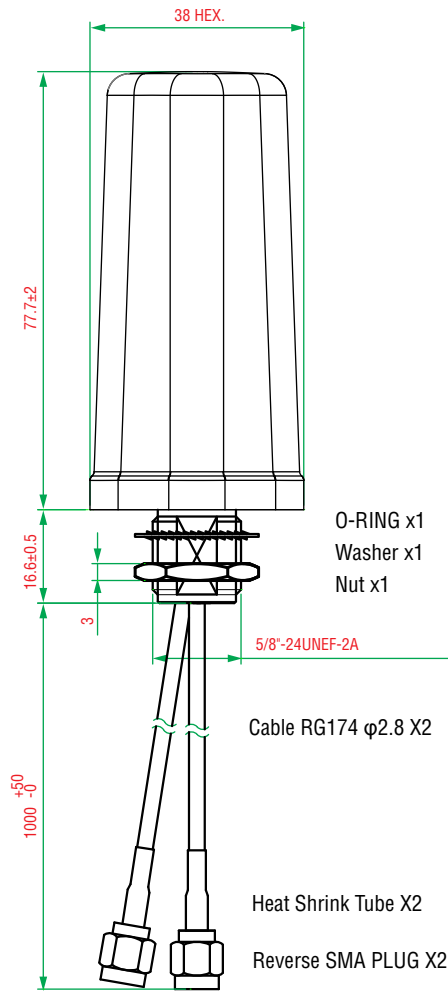


H-plane



Dimensions

Unit: mm



Ordering Information

Available Models

MAT-WDB-DA-RM-2-0203-1m: MIMO 2x2, 2.4/5 GHz, dual-band desktop antenna, 2/3 dBi, RP-SMA-type (male), 1 m cable

Can be used with the following products

AWK Series: AWK-1131A/3131A/1137C