

OnCell 5104-HSPA Series

Industrial five-band GSM/GPRS/EDGE/UMTS/HSPA cellular routers



- > Five band UMTS/HSPA 800/850/AWS/1900/2100 MHz
- > Quad-band GSM/GPRS/EDGE 850/900/1800/1900 MHz
- > Cellular WAN and Ethernet WAN backup mechanism for a complete path redundancy
- > Primary and secondary power inputs for power source redundancy
- > Cellular link redundancy with dual-SIM GuaranLink support
- > DIN-rail housing and wall-mountable housing
- > Connect to 4 10/100BaseT(X) devices over an integrated VPN
- > 2 digital inputs and 1 relay output
- > Centralize private IP management with OnCell Central Manager



Overview

The OnCell 5104-HSPA high-performance industrial grade cellular routers allow up to 4 Ethernet-based devices to simultaneously use a single cellular data account for primary or backup network connectivity to remote sites and devices. It provides the functionality of a cellular router, firewall, and switch in one device and is integrated with Moxa's GuaranLink function to ensure zero data loss and on-demand cellular communication. The OnCell 5104-HSPA comes with a built-in relay

output that can be configured to indicate the priority of events when notifying or warning engineers in the field, and the two digital inputs allow you to connect basic I/O devices, such as sensors, to the cellular network. The OnCell 5104-HSPA uses 12 to 48 VDC power inputs with a screw-on design for greater reliability, and the Ethernet ports come with 1.5 kV magnetic isolation protection to keep your system safe from unexpected electrical discharges.

Specifications

Cellular Interface

Standards: GSM/GPRS/EDGE/UMTS/HSPA

Band Options:

- Five-band UMTS/HSPA 800/850/AWS/1900/2100 MHz
- Quad-band GSM/GPRS/EDGE 850/900/1800/1900 MHz

HSPA Data Rate: 14.4 Mbps DL, 5.76 Mbps UL

EDGE Multi-slot Class: Class 12

EDGE Data Rate: 237 kbps DL, 237 kbps UL

EDGE Terminal Device Class: Class B

GPRS Multi-slot Class: Class 12

GPRS Data Rate: 85.6 kbps DL, 85.6 kbps UL

GPRS Terminal Device Class: Class B

GPRS Coding Schemes: CS1 to CS4

Tx Power:

UMTS/HSPA: 0.25 W

EDGE900: 0.5 W

EDGE1800: 0.4 W

GSM1800: 1 W

GSM900: 2 W

WAN Interface

Number of Ports: 1

Ethernet: 10/100 Mbps, RJ45 connector, auto MDI/MDIX

LAN Interface

Number of Ports: 4

Ethernet: 10/100 Mbps, RJ45 connector, auto MDI/MDIX

Interface

Cellular Antenna Connectors: 1, SMA (female)

Console Port: RS-232 (RJ45)

I/O Interface

Alarm Contact: 1 relay output with current carrying capacity of 1 A @ 24 VDC

Digital Inputs: 2 electrically isolated inputs

- +13 to +30 V for state "1"
- +3 to -30 V for state "0"

Software

Network Protocols: ARP, DDNS, DHCP/BOOTP, DNS Relay, HTTP, HTTPS, ICMP, IPsec, PPP, PPPoE, SMTP, SNMP, SSL, TCP/IP, Telnet, UDP

Routing/Firewall: NAT, port forwarding, WAN IP filtering, static route

Cellular Connectivity: GuaranLink

Authentication: Local username and password

Management Software

Utilities: Wireless Search Utility

Configuration and Management Options: SNMP v1/v2c/v3, Web/Telnet/Serial Console, SSH, Remote SMS Control, Auto IP Report

Centralized Device Management, Monitoring and Private IP

Solution: OnCell Central Manager

SIM Interface

Number of SIMs: 2

SIM Control: 3 V

Physical Characteristics

Housing: Aluminum, providing IP30 protection

Weight: 650 g (1.43 lb)

Dimensions: 51 x 135 x 103 mm (2 x 5.32 x 4.16 in)

Environmental Limits

Operating Temperature:

Standard Models: -30 to 55°C (-22 to 131°F)

Wide Temp. Models: -30 to 70°C (-22 to 158°F)

Storage Temperature: -40 to 75°C (-40 to 167°F)

Ambient Relative Humidity: 5 to 95% (non-condensing)

Power Requirements

Number of Power Inputs: 2 (terminal block), redundant dual inputs

Input Voltage: 12 to 48 VDC

Input Current: 0.95 A @ 12 VDC; 0.25 A @ 48 VDC

Reverse Polarity Protection: Supported

Standards and Certifications

Safety: UL 60950-1

EMC: EN 55032/24

EMI: CISPR 32, FCC Part 15B Class A

EMS:

IEC 61000-4-2 ESD: Contact: 8 kV; Air: 15 kV

IEC 61000-4-3 RS: 80 MHz to 1 GHz: 10 V/m

IEC 61000-4-4 EFT: Power: 4 kV; Signal: 1 kV

IEC 61000-4-5 Surge: Power: 1 kV; Signal: 1 kV

IEC 61000-4-6 CS: 10 V

IEC 61000-4-8

Radio: FCC Part 22H, FCC Part 24E, EN 301 489-1, EN 301 489-7, EN

301 489-24, EN 301 511, EN 301 908

MTBF (mean time between failures)

Time: 411,000 hrs

Standard: Telcordia SR332

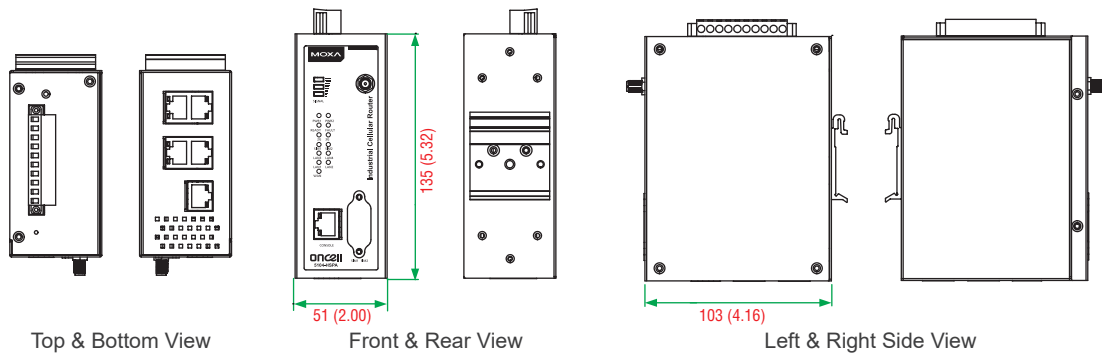
Warranty

Warranty Period: 5 years

Details: See www.moxa.com/warranty

Dimensions

Unit: mm (inch)



Ordering Information

Available Models

OnCell 5104-HSPA: 4-port five-band industrial GSM/GPRS/EDGE/UMTS/HSPA router, IA design, -30 to 55°C operating temperature

OnCell 5104-HSPA-T: 4-port five-band industrial GSM/GPRS/EDGE/UMTS/HSPA router, IA design, -30 to 70°C operating temperature

Note: Please visit Moxa's website for a complete list of optional wireless accessories and antennas available for Moxa's wireless products.

Package Checklist

- OnCell 5104-HSPA cellular router
- 1 UMTS/HSPA antenna: ANT-WCDMA-ASM-1.5
- DIN-rail kit
- Quick installation guide (printed)
- Warranty card

Note: An activated SIM card (not included) must be provided by a third party Cellular Service Provider.