

# SFP-1FE Series

## 1-port Fast Ethernet SFP modules



- > Digital Diagnostic Monitor Function
- > IEEE 802.3u compliant
- > Differential PECL inputs and outputs
- > TTL signal detect indicator
- > Hot pluggable LC duplex connector
- > Class 1 laser product; complies with EN 60825-1



### Specifications

#### Interface

Ethernet Ports: 1

Connectors: Duplex LC Connector

#### Optical Fiber

	Fast Ethernet SFP			
	SFP-M		SFP-S	SFP-L
Transceiver Type	Multi-Mode		Single-Mode	
Fiber Cable Type	OM1/OM2	62.5/125, 50/125 $\mu$ m	G.652	G.652
		800 MHz* km		
Typical Distance	2 km	4 km	40 km	80 km
Wave-length	Typical (nm)	1310	1310	1550
	TX Range (nm)	1280 to 1340	1280 to 1340	1530 to 1570
	RX Range (nm)	1100 to 1650	1100 to 1600	1100 to 1600
Optical Power	TX Range (dBm)	-8 to -18	0 to -5	0 to -5
	RX Range (dBm)	-3 to -32	-3 to -34	-3 to -34
	Link Budget (dB)	14	29	29
	Dispersion Penalty (dB)	2	3	1

Note: When connecting the SFP-S or L, we recommend using an attenuator to prevent damage caused by excessive optical power.

#### Power Requirements

Power Consumption: Max. 1 W

#### Environmental Limits

Operating Temperature: -40 to 85°C (-40 to 185°F)

Storage Temperature: -40 to 85°C (-40 to 185°F)

Ambient Relative Humidity: 5 to 95% (non-condensing)

#### Standards and Certifications

Safety: CE, FCC, TÜV, UL 60950-1

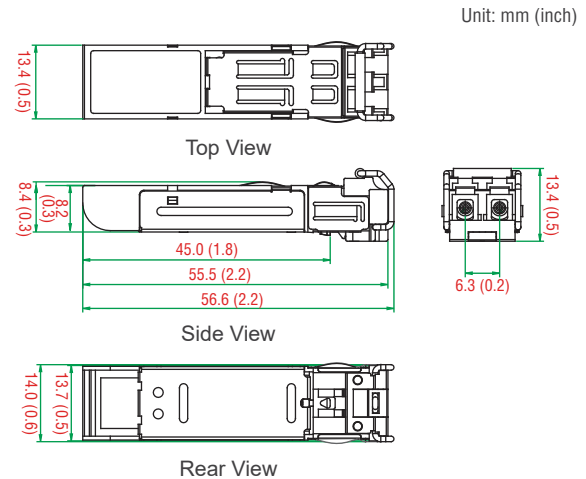
Marine: DNV, GL

#### Warranty

Warranty Period: 5 years

Details: See [www.moxa.com/warranty](http://www.moxa.com/warranty)

#### Dimensions



### Ordering Information

Available Models	Port Interface		
	100BaseFX, Multi-Mode, LC Connector, 4 km	100BaseFX, Single-Mode, LC Connector, 40 km	100BaseFX, Single-Mode, LC Connector, 80 km
SFP-1FEMLC-T	1	-	-
SFP-1FESLC-T	-	1	-
SFP-1FELLC-T	-	-	1

Note: Please refer to the Moxa Ethernet SFP Transceiver Product Compatibility Matrix for products that can be used with these modules.

#### Package Checklist

- SFP-1FE module
- Warranty card

# Moxa Ethernet SFP Transceiver Product Compatibility Matrix

Refer to the product compatibility matrix below to determine which SFP modules are compatible with which product models. For more specification information about an SFP module, please refer to the module's datasheet.

Model	SFP-1FE Series	SFP-1G Series	SFP-1G Copper Series	SFP-10G Series
<b>Industrial 10Gb Core Switches</b>				
ICS-G7850A/G7852A Series	–	✓	✓	✓
ICS-G7750A/G7752A Series	–	✓	✓	✓
ICS-G7826A/G7828A Series	✓	✓	✓	✓
ICS-G7526A/G7528A Series	✓	✓	✓	✓
IM-G7000A-4GSFP	✓	✓	✓	–
<b>Rackmount Ethernet Switches</b>				
IKS-G6524A/G6824A Series	✓	✓	✓	–
IKS-6726A/6728A Series	✓	✓	–	–
IKS-6728A-8PoE Series	✓	✓	–	–
IM-6700A-8SFP	✓	–	–	–
<b>DIN-Rail Ethernet Switches</b>				
EDS-611/619 Series	✓	✓	–	–
EDS-G516E Series	✓	✓	✓	–
EDS-G512E Series	✓	✓	✓	–
EDS-G509 Series	✓	✓	–	–
EDS-518E/528E Series	✓	✓	–	–
EDS-510E Series	✓	✓	–	–
EDS-518A Series	–	✓	–	–
EDS-510A Series	–	✓	–	–
EDS-G308-2SFP Series	✓	✓	✓	–
EDS-G205-1GTXSFP Series	✓	✓	–	–
EDS-210A Series	✓	✓	✓	–
IM-2GSFP	–	✓	–	–
<b>Industrial Secure Router</b>				
EDR-G903/G902 Series	✓	✓	–	–
EDR-810 Series	–	✓	✓	–
<b>Industrial PoE Switches</b>				
EDS-G512E-8PoE Series	✓	✓	✓	–
EDS-P510A-8PoE Series	✓	✓	–	–
EDS-P510 Series	✓	✓	–	–
EDS-G205A-4PoE Series	✓	✓	–	–

Model	SFP-1FE Series	SFP-1G Series	SFP-1G Copper Series	SFP-10G Series
<b>IEC61850-3 Ethernet Switches</b>				
PT-G7509 Series	✓	✓	–	–
PT-7528 FX Series	–	✓	✓	–
PT-G503	✓	✓	–	–
PM-7200-4GSFP-PRP-HSR	✓	✓	–	–
PT-G7728	✓	✓	*✓	–
PT-G7828	✓	✓	*✓	–
LM-7000H-4GSFP	✓	✓	*✓	–
PM-7500-2G/4GTXSFP	✓	✓	–	–
PM-7200-2G/4GTXSFP	–	✓	–	–
PM-7200-8SFP Series	✓	–	–	–
<b>Industrial Media Converter</b>				
IMC-21GA	✓	✓	–	–
IMC-101G Series	–	✓	–	–

Note: For 10Gb core switches, the 10G SFP port slot can only support a 10G SFP transceiver.

\*Note: The IEEE 1588v2 accuracy is not guaranteed when using the SFP-1G Copper Series.