

UC-8100-ME-T Series

Communication-centric RISC computing platform



- > ARMv7 Cortex-A8 1000 MHz processor
- > Dual auto-sensing 10/100 Mbps Ethernet ports
- > SD socket for storage expansion
- > Programmable LEDs and a programmable button for easy installation and maintenance
- > Mini PCIe socket for cellular module
- > Debian 8 open platform
- > Cybersecurity functions
- > -40°C to 70°C wide temperature range with LTE enabled



Overview

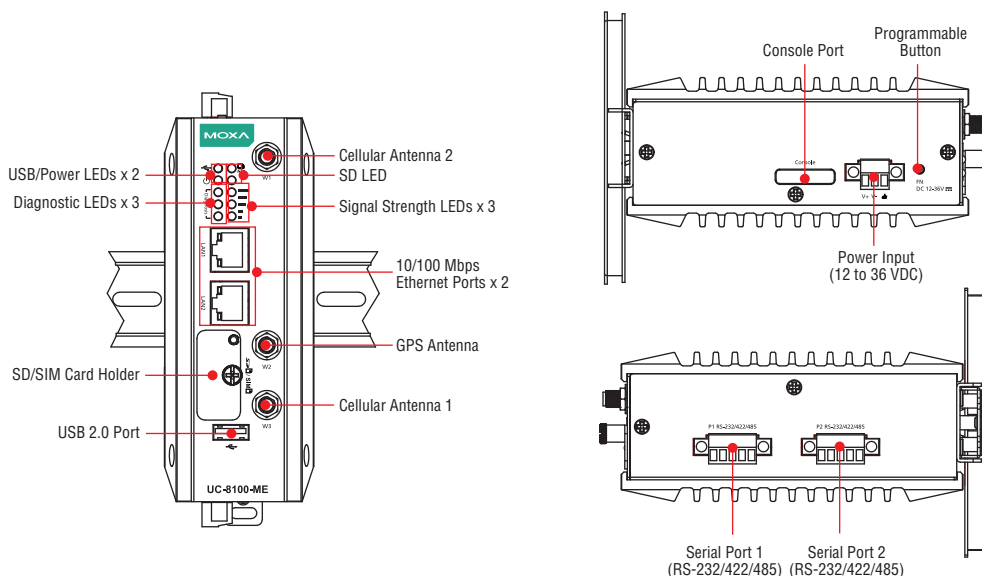
The UC-8100-ME-T computing platform is designed for embedded data acquisition applications. The computer comes with two RS-232/422/485 serial ports and dual 10/100 Mbps Ethernet LAN ports, as well as a Mini PCIe socket to support cellular modules. These versatile capabilities let users efficiently adapt the UC-8100-ME-T to a variety of complex communications solutions.

The UC-8100-ME-T is built around a Cortex-A8 RISC processor that has been optimized for use in energy monitoring systems, but is widely applicable to a variety of industrial solutions. With flexible

interfacing options, this tiny embedded computer is a reliable and secure gateway for data acquisition and processing at field sites as well as a useful communications platform for many other large-scale deployments.

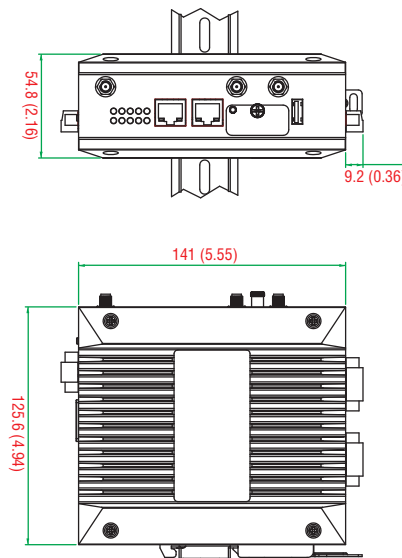
Wide temperature LTE-enabled models are available for extended temperature applications. All units are thoroughly tested in a testing chamber, guaranteeing that the LTE-enabled computing platforms are suitable for wide-temperature applications.

Appearance



Dimensions

Unit: mm (inch)



Hardware Specifications

Computer

CPU: ARMv7 Cortex-A8 1000 MHz

OS (pre-installed): Debian 8 (Kernel 4.1)

USB: USB 2.0 host x 1 (type A connector)

DRAM: 512 MB or 1 GB DDR3 SDRAM

Storage

Storage Expansion:

- SDHC/SDXC socket for storage expansion
- 4 GB eMMC flash with OS pre-installed

Ethernet Interface

LAN: 2 auto-sensing 10/100 Mbps ports (RJ45)

Magnetic Isolation Protection: 1.5 kV built-in

Serial Interface

Serial Standards: 2 RS-232/422/485 ports, software-selectable (5-pin terminal block connector)

Console Port: RS-232 (TxD, RxD, GND), 4-pin pin header output (115200, n, 8, 1)

Serial Communication Parameters

Data Bits: 5, 6, 7, 8

Stop Bits: 1, 1.5, 2

Parity: None, Even, Odd, Space, Mark

Flow Control: XON/XOFF, ADDC® (automatic data direction control) for RS-485

Baudrate: 921600 bps (max.)

Serial Signals

RS-232: TxD, RxD, RTS, CTS, GND

RS-422: TxD+, TxD-, RxD+, RxD-, GND

RS-485-4w: TxD+, TxD-, RxD+, RxD-, GND

RS-485-2w: Data+, Data-, GND

LEDs

System: Power x 1, USB x 1, SD x 1, signal strength x 3

LAN: 10M/100M on connector

Programmable: Diagnosis x 3

Switches and Buttons

Push Button: Initially configured to return a diagnostic report, and to reset the device to factory defaults

Physical Characteristics

Housing: SECC + Al 5052

Weight: 550 g (1.22 lb)

Dimensions: 141 x 125.6 x 54.8 mm (5.55 x 4.94 x 2.15 in)

Mounting: DIN rail

Environmental Limits

Operating Temperature:

Wide Temp. Models: -40 to 85°C (-40 to 185°F)

Wide Temp. models (with LTE accessory): -40 to 70°C (-40 to 158°F)

Storage Temperature: -40 to 85°C (-40 to 185°F)

Ambient Relative Humidity: 5 to 95% (non-condensing)

Anti-Vibration: 2 Grms @ IEC 60068-2-64, random wave, 5-500 Hz, 1 hr per axis (without any USB devices attached)

Anti-Shock: 20 g @ IEC 60068-2-27, half sine wave, 30 ms

Power Requirements

Input Voltage: 12 to 36 VDC (3-pin terminal block, V+, V-, SG)

Input Current: 500 mA @ 12 VDC

Power Consumption: 6 W (without cellular module and external USB device attached)

Standards and Certifications

Safety: UL 60950-1

EMC: EN 55032/24

EMI: CISPR 32, FCC Part 15B Class A

EMS:

IEC 61000-4-2 ESD: Contact: 8 kV; Air: 15 kV

IEC 61000-4-3 RS: 80 MHz to 1 GHz, 20 V/m

IEC 61000-4-4 EFT: Power: 4 kV; Signal: 4 kV

IEC 61000-4-5 Surge: DC Power: 1 kV; Signal: 1 kV

IEC 61000-4-6 CS: 10 V

IEC 61000-4-8 PFMF: 300 A/m, 60 s

Green Product: RoHS, CRoHS, WEEE

Reliability

Alert Tools: External RTC (real-time clock)

Automatic Reboot Trigger: External WDT (watchdog timer)

Warranty

Warranty Period: 5 years

Details: See www.moxa.com/warranty

Software Specifications

Linux

OS: Debian 8

Web Server (Apache): Allows you to create and manage web sites; supports PHP and XML

Terminal Server (SSH): Provides secure encrypted communications between two untrusted hosts over an unsecure network

Kernel: GNU/Linux 4.1

System Shell: DASH (default), BASH

Text Editor: vim, nano

Internet Protocol Suite: TCP, UDP, IPv4, IPv6, SNMPv2, ICMP, ARP, HTTP, CHAP, PAP, DHCP, NTP, NFS, SSH, PPP, SFTP, RSYNC, SSL

Programming Language Support: PHP, Perl, Python

Internet Security Suite: OpenVPN, IPTables

Cryptographic Hardware Accelerators: AES, SHA, OpenSSL

Self Diagnosis: Check status of system and hardware component via software method

Linux Board Support Packages (BSP):

- GCC C/C++ cross development tool chain
- Bootloader/ Kernel/ filesystem

Cellular Networking:

- WVDIAL: Point-to-Point Protocol dialer that dials a modem and starts pppd to connect to the Internet.
- QMI (Qualcomm MSM Interface): Glib-based library for talking to WWAN modems and devices that speak the Qualcomm MSM Interface (QMI) protocol.

- MODBUS: Software library to send/receive data according to the Modbus protocol. This library is written in C and supports RTU (serial) and TCP (Ethernet) communications.

- Watchdog: Features a hardware function to trigger system reset in a user specified time interval (Linux standard API).

Cybersecurity:

- SUDO Mechanism: Sudo (short for super-user do) is a program designed to let system administrators allow some users to execute certain commands as the root user (or another user). The root user account is disabled by default. The basic philosophy is to give as few privileges as possible but still allow people to get their work.

- Security Update of Existing Software Packages: All software packages installed on the UC-8100-ME-T can be automatically updated using Debian Linux's Advanced Packaging Tool (APT) server or Moxa's server.

- USB Protection: Provides a mechanism for disabling USB function to avoid USB stick malware attacks.

- SD Write Protection: Provides a mechanism for disabling write permission to the microSD memory card plugged in directly into the card slot, or which is part of an extended storage system.

Ordering Information

Model	CPU	RAM	US LTE Module Built In	Operating Temperature
UC-8112-ME-T-LX	1 GHz	512 MB	No	-40 to 85°C
UC-8112-ME-T-LX1	1 GHz	1 GB	No	-40 to 85°C
UC-8112-ME-T-LX-US-LTE	1 GHz	512 MB	Yes	-40 to 70°C
UC-8112-ME-T-US-LTE-LX1	1 GHz	1 GB	Yes	-40 to 70°C

Package Checklist

- UC-8100-ME-T embedded computer
- Power jack
- DIN-rail kit (pre-installed)
- Quick installation guide (printed)
- Warranty card

Optional Accessories (can be purchased separately)

Power Adapters, Power Cords, Console Cables

Model Name	Package Contents	Description
PWR-24270-DT-S1	<ul style="list-style-type: none"> Power Adapter x 1 	Power adapter for testing and system development indoors under ambient temperature conditions (input: 100 to 240 VAC, 50 to 60 Hz, 1.5 A; output: 24 VDC, 2.5 A, 60 W)
PWC-C7US-2B-183	<ul style="list-style-type: none"> Power Cord x 1 	10A/125V North American (US) power cord, 183 cm
PWC-C7EU-2B-183	<ul style="list-style-type: none"> Power Cord x 1 	10A/250V Continental European (EU) power cord, 183 cm
PWC-C7UK-2B-183	<ul style="list-style-type: none"> Power Cord x 1 	10A/250V United Kingdom (UK) power cord, 183 cm
PWC-C7AU-2B-183	<ul style="list-style-type: none"> Power Cord x 1 	2.5A/250V Australian (AU) power cord, 183 cm
PWC-C7CN-2B-183	<ul style="list-style-type: none"> Power Cord x 1 	10A/250V China (CN) power cord, 183 cm
CBL-F9DPF1x4-BK-100	<ul style="list-style-type: none"> Console Cable x 1 	Console cable with 4-pin connector

Wireless Packages

Model Name	Package Contents	Description
ME-CELLULAR-LTE-EU	<ul style="list-style-type: none"> Cellular module x 1 i-PEX MHF to SMA adapter with cable x 3 Screw set x 1 Heat sink x 1 Thermal pad x 2 	LTE regions: Asia, Europe, Australia, New Zealand (compatible with LTE/EU, HSPA+, GPRS/GSM, and GPS) LTE: B1, B3, B7, B8, B20 UMTS/HSPA+: B1, B2, B5, B6, B8 GNSS (GPS+Glonass)
ME-CELLULAR-LTE-US	<ul style="list-style-type: none"> Cellular module x 1 i-PEX MHF to SMA adapter with cable x 3 Screw set x 1 Heat sink x 1 Thermal pad x 2 	LTE regions: North America (compatible with LTE/US, HSPA, GPRS/GSM, and GPS) LTE: B2, B4, B5, B13, B17, B25 UMTS/HSPA+: B1, B2, B4, B5, B8 GNSS (GPS+Glonass)

Antennas and Internal Antenna Cables

Model Name	Package Contents	Description
ANT-GPS-OSM-05-3M	<ul style="list-style-type: none"> GPS Antenna x 1 	Active GPS antenna, 26 dBi, 1572 MHz, L1 band antenna for GPS
ANT-LTE-OSM-03-3m BK	<ul style="list-style-type: none"> LTE Antenna x 1 	Multi-band antenna that covers 700-2700 MHz. Specially designed for 2G, 3G, and 4G applications. Magnetic mounting is available.
ANT-LTE-ASM-04 BK	<ul style="list-style-type: none"> LTE Antenna x 1 	LTE Stick antenna that covers 704-960/1710-2620 MHz providing omnidirectional radiation with a gain of 4.5 dBi.
ANT-LTE-ASM-05 BK	<ul style="list-style-type: none"> LTE Antenna x 1 	LTE stick antenna that covers 704-960/1710-2620 MHz with a gain of 5 dBi.
ANT-LTE-OSM-06-3m BK MIMO	<ul style="list-style-type: none"> LTE Antenna x 1 	Multi-band antenna that covers 700-2700/2400-2500/5150-5850 MHz frequencies. Screw-fastened mounting and full IP67 waterproofing are available.

DIN-Rail Kits

Model Name	Package Contents	Description
UC-8100-ME DIN-Rail Kit	<ul style="list-style-type: none"> DIN-rail kit x 1 	Din rail kit with screws Note: The din-rail kit is included in the UC-8100-ME-T series package.

Wall-Mounting Kits

Model Name	Package Contents	Description
UC-8100-ME Wall Mount Kit	<ul style="list-style-type: none"> Wall-mounting kit x 1 	Wall-mounting kit with screws