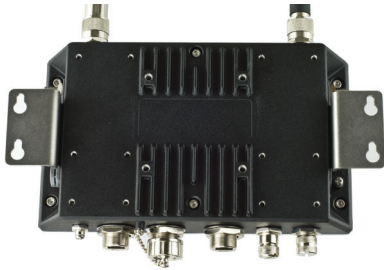


WK-55

Wall-mounting kit



> Wall-mounting kit

Specifications

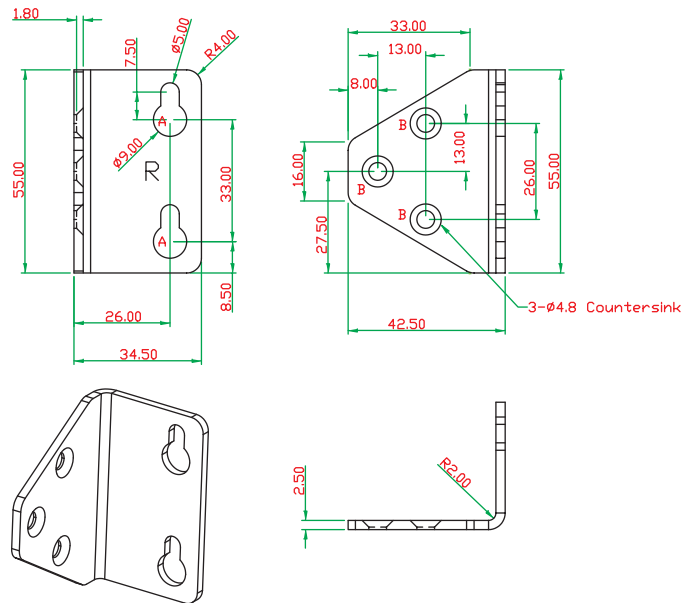
Physical Characteristics

Material: SUS
Color: Silver

Warranty

Warranty Period: 1 year
Details: See www.moxa.com/warranty

Dimensions



Ordering Information

Available Models

WK-55: Wall-mounting kit, 55 mm high

Can be used with the following products

Details: All models in the AWK-4121, AWK-4131, AWK-6222, and AWK-6232 Series

Package Checklist

- 2pcs WK-55
- 6pcs screws