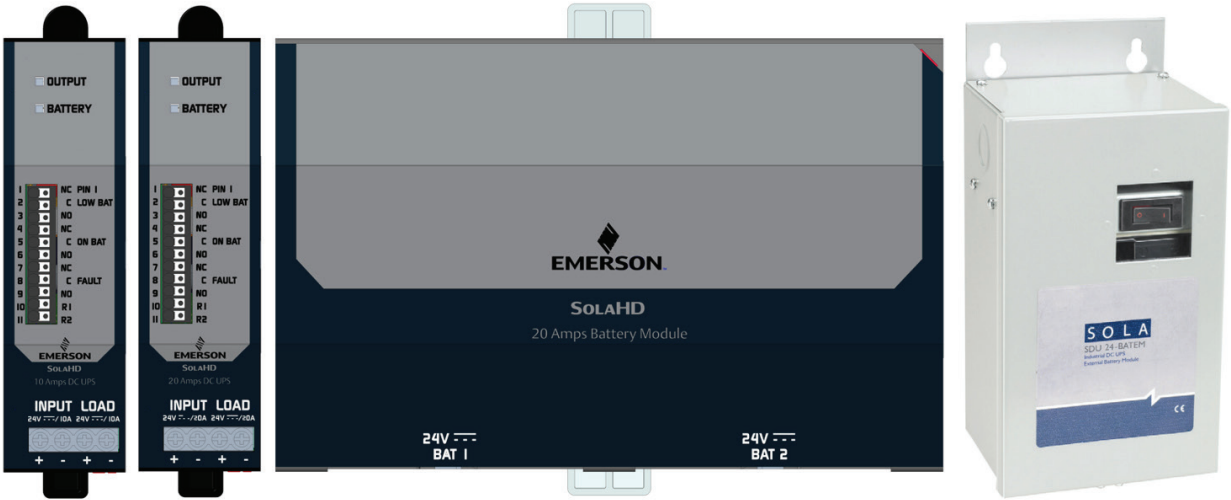


# Uninterruptible Power Supply User Manual



## SDU DC UPS B-Series

---

# Contents

|   |           |  |           |
|---|-----------|--|-----------|
| <b>Safety Instructions .....</b>            | <b>1</b>  | <b>UPS Battery .....</b>                         | <b>13</b> |
| <b>Introduction.....</b>                    | <b>2</b>  | Battery Types.....                               | 13        |
| <b>Preinstallation.....</b>                 | <b>2</b>  | Batteries for SDU-24 BATB .....                  | 13        |
| Receiving.....                              | 2         | Batteries for SDU-24 BATEM .....                 | 13        |
| What's Included.....                        | 2         | Charging/Recharging the Battery .....            | 13        |
| Battery Options .....                       | 2         | <b>Battery Backup Times (Minutes [min.].....</b> | <b>14</b> |
| Optional Accessories .....                  | 2         | SDU 10-24B with SDU 24-BATB.....                 | 14        |
| <b>Product Description.....</b>             | <b>3</b>  | SDU 20-24B with SDU 24-BATB.....                 | 14        |
| <b>Installation .....</b>                   | <b>4</b>  | SDU 10-24B with SDU 24-BATEM .....               | 14        |
| Location .....                              | 4         | SDU 20-24B with SDU 24-BATEM .....               | 14        |
| DIN Rail Mounting .....                     | 4         | <b>Specifications .....</b>                      | <b>15</b> |
| Removing the Unit from the DIN Rail .....   | 4         | Power Module Specifications .....                | 15        |
| Optional Chassis Mounting .....             | 5         | Battery Module Specifications .....              | 18        |
| Connecting the Unit - Wiring Diagrams ..... | 8         | <b>Troubleshooting.....</b>                      | <b>19</b> |
| SDU DC UPS B-Series with SDU 24-BATB .....  | 8         | Troubleshooting .....                            | 19        |
| SDU DC UPS B-Series with SDU 24-BATEM ..... | 9         | SOLAHD Technical Support.....                    | 19        |
| <b>Operation.....</b>                       | <b>10</b> | <b>Storage .....</b>                             | <b>20</b> |
| Turning ON the UPS (Normal Mode) .....      | 10        | Extended Storage .....                           | 20        |
| Turning OFF the UPS .....                   | 10        | <b>Technical Support.....</b>                    | <b>21</b> |
| Remote ON/OFF .....                         | 10        | <b>Warranty.....</b>                             | <b>21</b> |
| Self-Testing.....                           | 10        | Warranty Information .....                       | 21        |
| <b>LED Status .....</b>                     | <b>11</b> | Product Literature .....                         | 21        |
| <b>Contact Relay Truth Table .....</b>      | <b>12</b> |  |           |

---

# Safety Instructions

IMPORTANT - READ AND FOLLOW THE SAFETY INSTRUCTION SHEET THAT IS PROVIDED WITH THE SDU 10-24B, SDU 20-24B, SDU 24-BATB OR SDU 24BATEM MODULES. THESE INSTRUCTIONS MUST BE FOLLOWED DURING INSTALLATION, OPERATION, MAINTENANCE AND DISPOSAL OF THE UNIT.

**⚠ WARNING - Explosion Hazard, Risk of Electric Shock, Fire and Personal Injury**

Follow all warnings on the product, in the Safety Instruction Sheets and in this manual. Failure to do so may result in serious injury or death.

---

| Document  | Part No. |
|---|----------|
| Safety Instruction Sheet – SDU 10-24B, SDU 20-24B DC Uninterruptible Power Supplies   | A272-367 |
| Safety Instruction Sheet – SDU 24-BATB DC Uninterruptible Power Supply Battery Module | A272-368 |
| Safety Instruction Sheet – SDU-BATEM DC Uninterruptible Power Supply Battery Module   | A272-369 |

---

# Introduction

Congratulations on your choice of the SDU DC B Series Uninterruptible Power System (UPS). The SDU DC is an advanced 24 Vdc UPS that combines an industry leading design, unique installation options, and a wide operational temperature range (see “Specifications”).

The SDU DC is a powerful microprocessor-controlled UPS which provides protection from power interruptions and is the ideal power backup solution for your critically connected loads.

## Preinstallation

### Receiving

Inspect the UPS upon receipt. Damage that may have occurred in transit is not covered under the warranty. If shipping damage is present, contact your local carrier and SolaHD distributor immediately.

### What's Included

- SDU 10-24B or SDU 20-24B
- Safety Instruction Sheet
- Remote On/Off Bypass Jumper

### Battery Options

Two battery modules are available:

- SDU 24-BATB: 24 V DIN rail/panel mount battery module (cable and Safety Instruction Sheet included).  
**NOTE:** Up to 4 SDU 24-BATB modules can be connected to the UPS.
- SDU 24-BATEM: 24 V external mount battery module (cable and Safety Instruction Sheet included).  
**NOTE:** Only 1 SDU 24-BATEM module can be connected to the UPS.  
**NOTE:** A combination of both modules cannot be used with the UPS.

### Optional Accessories

- SDU 24EXTBC1B: 1ft (30.5cm) battery module cable.
- SDU 24-DB9: Interface kit to convert relay contact signals to DB9 signals.
- SDU-PMBRK: Chassis mounting brackets to secure the UPS to the wall, back of the panel, or enclosure.
- SDU 24EXTBC6B: 6ft (182.9 cm) external battery module cable.

# Product Description

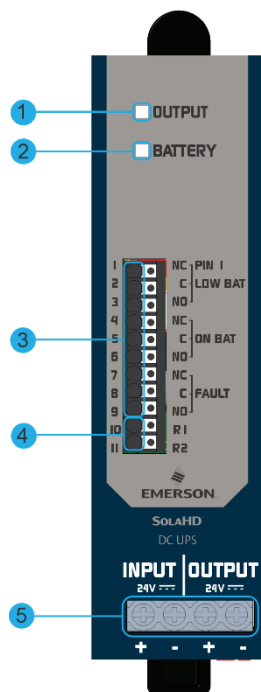


Figure 1

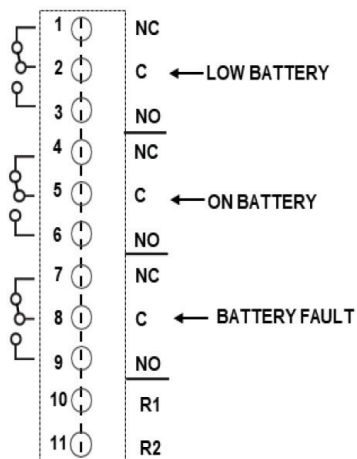


Figure 2

1. Output LED: Indicates the output status of the DC UPS. See Table 1.
2. Battery LED: Indicates the status of the battery module connected to the DC UPS. See Table 1.
3. Contact Relay Terminals: The control module incorporates dry relay contacts for remote signaling of the UPS and battery module status.
4. Remote ON/OFF Terminals (R1 and R2): Turns the unit ON/OFF.
5. DC Input/Output Screw Terminal Connections: IP20 rated input and output screw terminals.

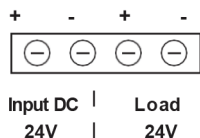


Figure 3

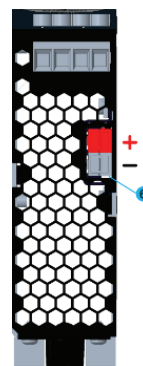


Figure 4

6. Polarized Terminal Connections for the Battery (+ Red color; - Black color).

---

# Installation

## Location

Install the power module and battery module in a protected area with adequate airflow and free of excessive dust. Do not operate the UPS outdoors.

## DIN Rail Mounting

1. Tilt and place the unit onto the DIN rail.
2. Push the unit downward until it stops.
3. Push at the lower front edge to lock. Ensure that the retainer has locked.

## Removing the Unit from the DIN Rail

Push the button and swing the bottom out and up.

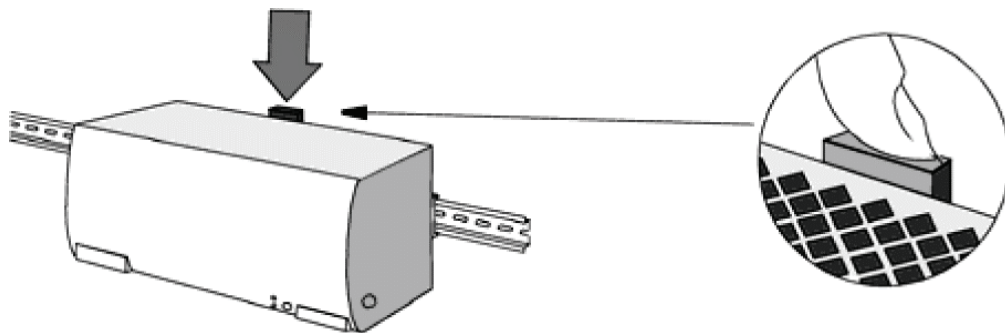


Figure 5

### Optional Chassis Mounting

Optional chassis mounting brackets (P/N: SDU-PMBRK) are sold separately. Please refer to the installation instructions supplied with the brackets.

**NOTE:** If you will be shipping the UPS already mounted, we recommend using the chassis mounting brackets (P/N: SDU-PMBRK) to secure the UPS.

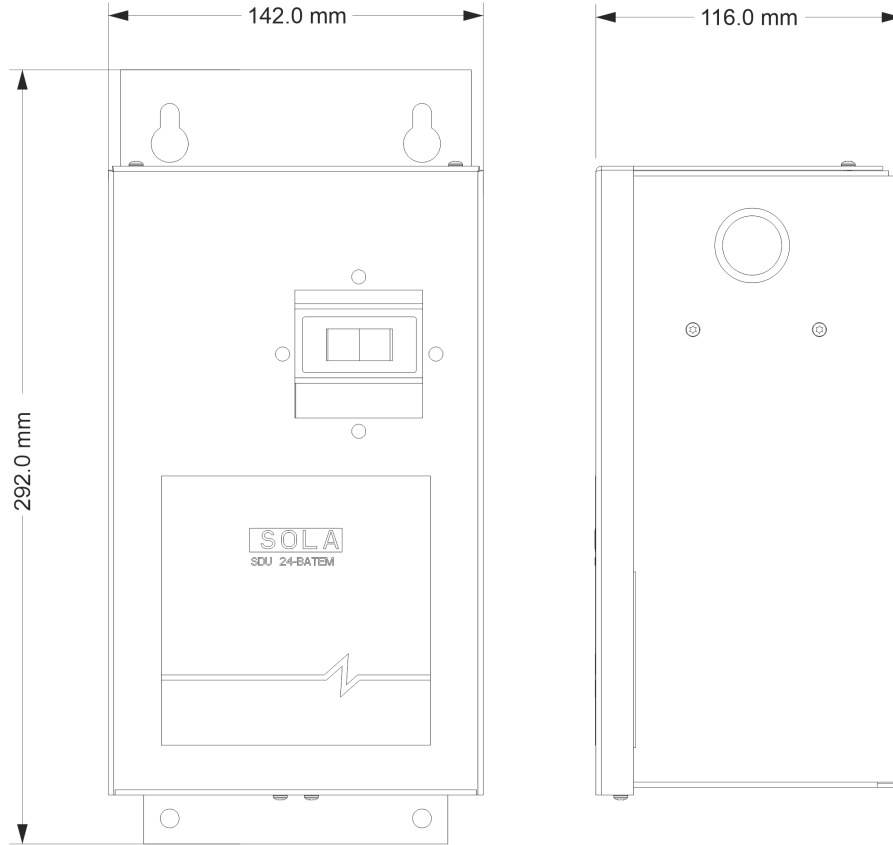


Figure 6

| Table 1        |                          |              |              |
|----------------|--------------------------|--------------|--------------|
| Catalog Number | Dimensions - Inches (mm) |              |              |
|                | H                        | W            | D            |
| SDU 24-BATEM   | 11.50 (292.0)            | 5.60 (142.0) | 4.60 (116.0) |

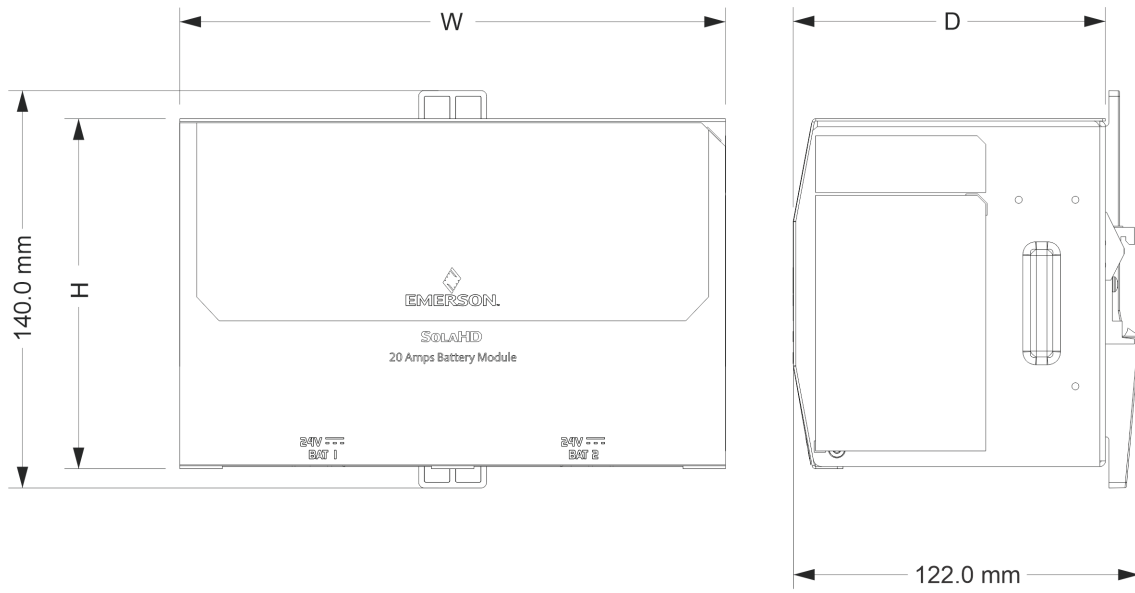


Figure 7

| Table 2        |                          |              |              |
|----------------|--------------------------|--------------|--------------|
| Catalog Number | Dimensions - Inches (mm) |              |              |
|                | H                        | W            | D            |
| SDU 24BAT-B    | 4.88 (124.0)             | 7.60 (192.4) | 4.33 (110.0) |



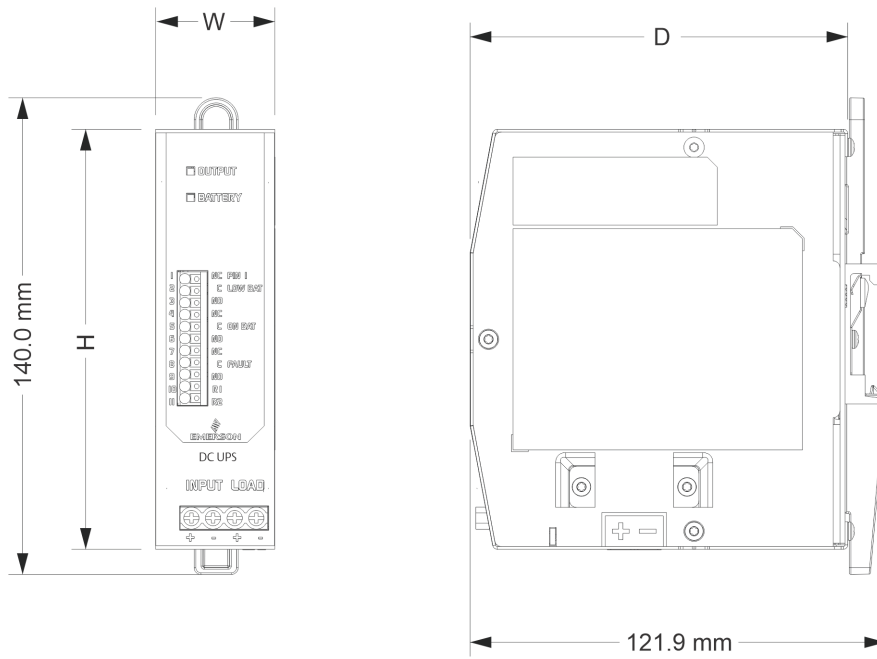


Figure 8

| Table 3                     |                          |             |              |
|-----------------------------|--------------------------|-------------|--------------|
| Catalog Number              | Dimensions - Inches (mm) |             |              |
|                             | H                        | W           | D            |
| SDU 10-24-B /<br>SDU 20-24B | 4.88 (124.0)             | 1.37 (35.0) | 4.36 (111.0) |

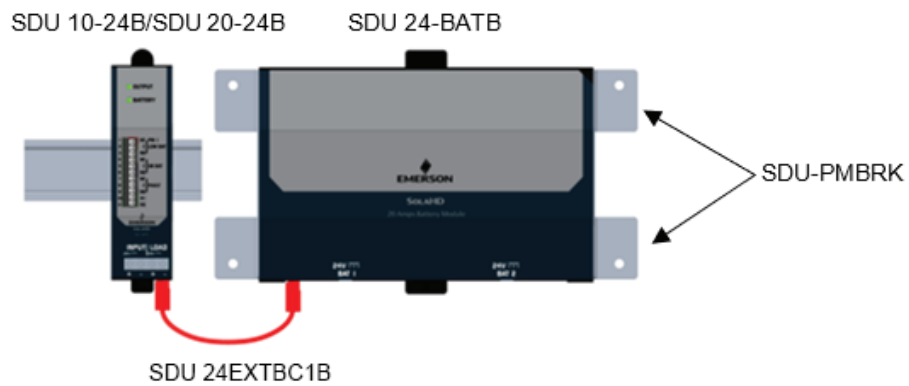


Figure 9

## Connecting the Unit - Wiring Diagrams - SDU DC UPS B-Series with SDU 24-BATB

### **⚠ WARNING - Risk of electric shock and energy hazard!**

Refer to the Safety Instruction Sheet provided with the products.

This device receives input power from multiple sources. Disconnect the DC UPS input from the AC to DC power supply connection and the DC Battery Modules before wiring.

Follow all local, National Electrical Code® (NEC®) and CEC wiring and installation codes.

Operate the UPS only from a properly grounded (earthed) DC supply.

To reduce the risk of electric shock, do not remove the cover. For service, contact a qualified technician.

**Wiring/Torque Specification: Use only 90degreeC rated copper wire**

| Terminals                            | Gauge Size  | Torque                      |
|--------------------------------------|---|-----------------------------|
| Input/Output                         | 10-14 AWG (5.3-2.1mm <sup>2</sup> ) for solid and stranded conductors   | 4.4-6.5lb-inch (50-73 N-cm) |
| Contact Terminal Connections (1-9)   | 16-24 AWG (1.3-0.2mm <sup>2</sup> ) for solid and stranded conductors for solid and stranded conductors. 18-24 AWG (0.75-0.2mm <sup>2</sup> ) wire gauge for conductors with ferrule                | N/A                         |
| Contact Terminal Connections (10-11) | Use attached R1/R2 jumper. In lieu of jumper use 16-24 AWG (1.3-0.2mm <sup>2</sup> ) for solid and stranded conductors. 18-24 AWG (0.75-0.2mm <sup>2</sup> ) wire gauge for conductors with ferrule | N/A                         |

*Note: Use a Phillips head screwdriver to release the wire from the terminal. Other tools may damage the push terminal.*

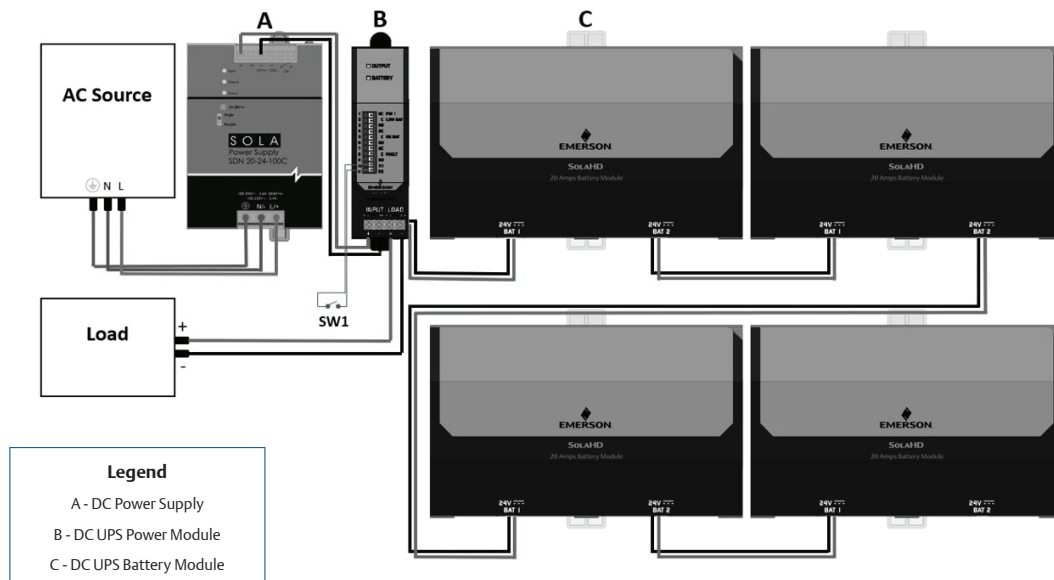


Figure 10

### Connections:

1. Use the polarized cable to connect the power module to the battery module.
2. Connect the power module dc input connector to the 24 Vdc input power source.
3. Hardwire the load to the power module output terminal connector.

## SDU DC UPS B-Series with SDU 24-BATEM

### **⚠ WARNING - Risk of electric shock and energy hazard!**

Disconnect the DC input's AC supply connection before wiring. Operate the UPS only from a properly grounded (earthed) DC supply. To reduce the risk of electric shock, do not remove the cover. For service, contact a qualified technician.

### **⚠ WARNING - Risk of explosion.**

The SDU 24-BATEM Battery Module IS NOT FOR USE IN A HAZARDOUS LOCATION ENVIRONMENT. Do not install the SDU 24-BATEM in a hazardous location environment.

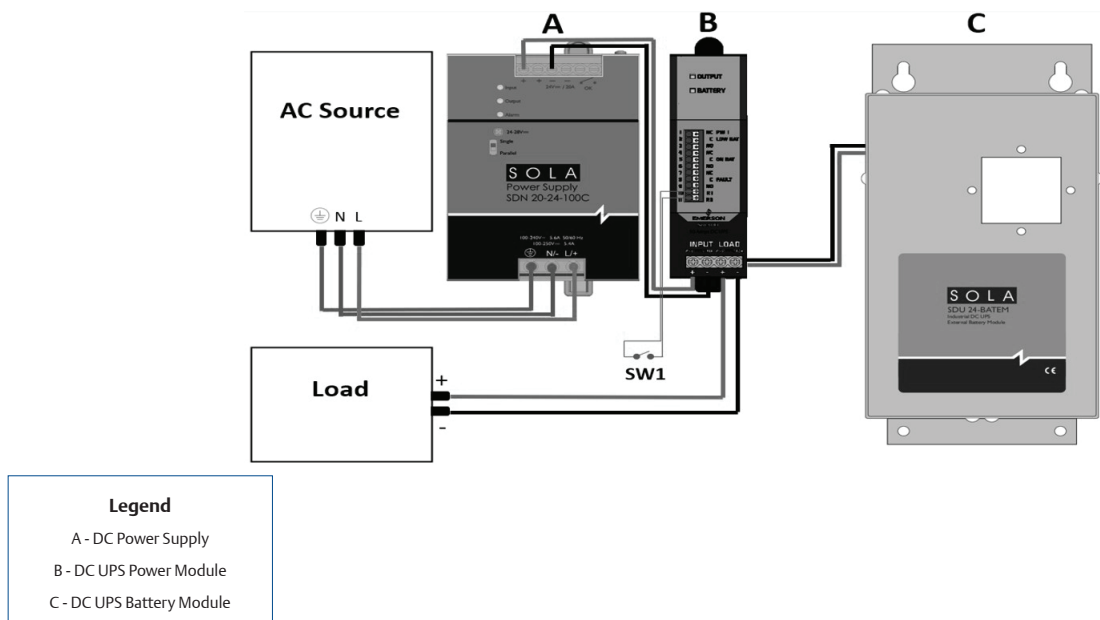


Figure 11

### Connections:

1. Use the polarized cable to connect the power module to the battery module.
2. Connect the power module dc input connector to the 24 Vdc input power source.
3. Hardwire the load to the power module output terminal connector.

---

# Operation

## Turning ON the UPS (Normal Mode)

1. Ensure that the DC input supply is de-energized prior to wiring the DC UPS system.
2. Ensure that the Battery Module meets the charge schedule.
3. Ensure that the Remote ON/OFF toggle switch for R1 and R2 is open (if using Remote ON/OFF Bypass Jumper, make sure it is disconnected).
4. Connect the DC input to the DC UPS module; connect the Battery Module to the UPS module; then, connect the load to the UPS module.
5. Energize the DC input supply.
6. Enable the DC UPS by shorting R1 and R2 through the Remote ON/OFF toggle switch (if not using toggle switch, insert the Remote ON/OFF Bypass Jumper).
7. This will start the UPS in Normal Mode.

**Note:** If the DC input supply is not present, the DC UPS will enable Battery Mode. The load will be powered by the battery module until reaching cutoff voltage (21.6V). Please ensure switch is OFF or ON/OFF Bypass Jumper is removed when UPS is not in use to prevent draining of the battery.

## Turning OFF the UPS

1. Disable the DC UPS by disconnecting R1 and R2 through turning off the Remote ON/OFF toggle switch (if not using a toggle switch, remove the Remote ON/OFF Bypass Jumper).
2. De-energize the DC input supply.
3. Disconnect the DC input supply, Battery Module, and the load.

## Remote ON/OFF

Turns UPS output on when terminals R1 and R2 are shorted.

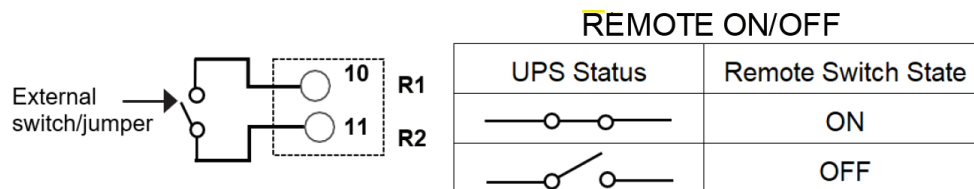


Figure 12

**NOTE:** The Remote ON/OFF is connected to the DC UPS internal signal ground and it should be isolated from the chassis ground potentials that may cause unit malfunction or damage. Isolate the Remote Sense wiring away from high current, high voltage, and high frequency components to prevent any magnetically coupled noise on the Contact Terminal Connections.

## Self-Testing

The DC UPS employs an Automatic Self-Test feature. This feature checks the Battery Module's health and serves as indicator if the battery is still in good condition. The first Self-Testing will be activated 5 hours after commissioning. The subsequent Self-Testing will happen every 1 month thereafter. If the Battery Health fails the Self-Test, the Battery LED will display Solid Red.

# LED Status

Table 4

| Operating MODE                |  | LED Signal                            |
|-------------------------------|--|---------------------------------------|
|                               | <b>Load Condition / Control Module Status</b>                                      | <b>Output LED</b>                     |
| <b>NORMAL (input present)</b> | Load Within Range (100% < I <sub>out</sub> < 120%)                                 | Steady Green                          |
|                               | Overload (125% – 150% for >4s) Power Boost   | Green Flashing (0.25s ON : 0.25s OFF) |
|                               | Overcurrent and Short Circuit Protection   | Red Flashing (1s ON : 1s OFF)         |
|                               | Overtemperature Protection   | Steady Red                            |
| <b>BATTERY (Input loss)</b>   | Battery Mode & Load Within Range   | Green Flashing (0.5s ON: 0.5s OFF)    |
|                               | Overtemperature Protection   | Steady Red                            |
|                               | <b>Battery Condition</b>   | <b>Battery LED</b>                    |
| <b>NORMAL (input present)</b> | Battery Full   | Steady Green                          |
|                               | Battery Charging / <50% Capacity   | Green Flashing (0.25s ON : 0.25s OFF) |
|                               | Battery Charging / >50% Capacity   | Green Flashing (1s ON : 1s OFF)       |
| <b>BATTERY (Input loss)</b>   | Battery Mode & Load Within Range   | OFF                                   |
|                               | Overtemperature Protection   | OFF                                   |
| <b>BATTERY FAULT</b>          | Shorted Battery, Battery Overvoltage, reverse polarity, end of life or no battery. | Steady Red                            |

# Contact Relay Truth Table

*Table 5*

| UPS Status   | Low Battery |         | On Battery |         | Battery Fault |         |
|--|-------------|---------|------------|---------|---------------|---------|
|  | Pin 1-2     | Pin 2-3 | Pin 4-5    | Pin 5-6 | Pin 7-8       | Pin 8-9 |
|  | N.C.        | N.O.    | N.C.       | N.O.    | N.C.          | N.O.    |
| <b>Normal mode</b>                                 | O           | X       | O          | X       | O             | X       |
| <b>Battery mode<br/>(30-100% SOC)</b>              | O           | X       | X          | O       | O             | X       |
| <b>Battery mode - Low Battery<br/>(20-30% SOC)</b> | X           | O       | X          | O       | O             | X       |
| <b>Battery fault</b>                               | I           | I       | I          | I       | X             | O       |

**Legend:**

- X – Contact close
- O – Contact open
- I - Indeterminate
- N.C. - Normally close
- N.O. - Normally open

---

# UPS Battery

## CAUTION

- Do not attempt to open the DC UPS or replace the batteries inside the battery module.
- Call SolaHD Technical Support for further instructions.
- Do not mount the DC UPS or the Battery Module in an upside-down orientation.

### Battery Types

Table 6

| Batteries for SDU-24 BATB     |           |                 |
|-------------------------------|-----------|-----------------|
| Manufacturer                  | Type      | Rating          |
| CSB                           | HRL 1225W | 12 V dc, 5.0 Ah |
| Taiwan Yuasa Battery Co. Ltd. | NPX25     |                 |

Table 7

| Batteries for SDU-24 BATEM |        |                 |
|----------------------------|--------|-----------------|
| Manufacturer               | Type   | Rating          |
| CSB                        | GP1272 | 12 V dc, 7.2 Ah |

## WARNING - Battery Disposal

Do not dispose of batteries in a fire; they may explode. Do not open or mutilate the battery. Released electrolyte is harmful to skin and eyes and may be toxic. Proper disposal of batteries is required. Refer to your local laws and regulations for disposal requirements.

### Charging/Recharging the Battery

Locate the recharge label on the box containing the product. The label will indicate the last recharge date. Please refer to the label for the next recharge due date.

If the product is due for recharge, please follow the wiring diagram Figure 10 to recharge the SDU 24-BATB. Please allow 8 hours to fully recharge a battery.

Once the battery is recharged, please create a LOG and track the due dates to properly maintain the charge.

# Battery Backup Times (Minutes [min.])

*Table 8*

| <b>SDU 10-24B with SDU 24-BATB</b> |                  |                  |                  |                  |                    |
|------------------------------------|------------------|------------------|------------------|------------------|--------------------|
| <b>Load</b>                        | <b>20% (2 A)</b> | <b>40% (4 A)</b> | <b>60% (6 A)</b> | <b>80% (8 A)</b> | <b>100% (10 A)</b> |
| <b>1 unit</b>                      | 113 min.         | 45 min.          | 30 min.          | 21 min.          | 14 min.            |
| <b>2 units</b>                     | 247 min.         | 114 min.         | 74 min.          | 48 min.          | 38 min.            |
| <b>3 units</b>                     | 396 min.         | 178 min.         | 117 min.         | 80 min.          | 58 min.            |
| <b>4 units</b>                     | 531 min.         | 233 min.         | 148 min.         | 111 min.         | 81 min.            |

*Table 9*

| <b>SDU 20-24B with SDU 24-BATB</b> |                  |                  |                   |                   |                    |
|------------------------------------|------------------|------------------|-------------------|-------------------|--------------------|
| <b>Load</b>                        | <b>20% (4 A)</b> | <b>40% (8 A)</b> | <b>60% (12 A)</b> | <b>80% (16 A)</b> | <b>100% (20 A)</b> |
| <b>1 unit</b>                      | 46 min.          | 21 min.          | 10 min.           | 6 min.            | 4 min.             |
| <b>2 units</b>                     | 116 min.         | 50 min.          | 28 min.           | 17 min.           | 10 min.            |
| <b>3 units</b>                     | 178 min.         | 80 min.          | 46 min.           | 31 min.           | 20 min.            |
| <b>4 units</b>                     | 237 min.         | 113 min.         | 65 min.           | 43 min.           | 31 min.            |

*Table 10*

| <b>SDU 10-24B with SDU 24-BATEM</b> |                  |                  |                  |                  |                    |
|-------------------------------------|------------------|------------------|------------------|------------------|--------------------|
| <b>Load</b>                         | <b>20% (2 A)</b> | <b>40% (4 A)</b> | <b>60% (6 A)</b> | <b>80% (8 A)</b> | <b>100% (10 A)</b> |
| <b>1 unit</b>                       | 135 min.         | 52 min.          | 28 min.          | 19 min.          | 14 min.            |

*Table 11*

| <b>SDU 20-24B with SDU 24-BATEM</b> |                  |                  |                   |                   |                    |
|-------------------------------------|------------------|------------------|-------------------|-------------------|--------------------|
| <b>Load</b>                         | <b>20% (4 A)</b> | <b>40% (8 A)</b> | <b>60% (12 A)</b> | <b>80% (16 A)</b> | <b>100% (20 A)</b> |
| <b>1 unit</b>                       | 48 min.          | 17 min.          | 9 min.            | 6 min.            | 4 min.             |

**NOTE:** Run times are based on new, fully charged battery module at a temperature of 25°C (77°F) with purely resistive DC UPS load. Run times listed above may vary due to manufacturing variances of the individual batteries.



# Specifications

Table 12

| Power Module Specifications                       |   |             |
|---|---|-------------|
| Parameter   | Catalog Number  |             |
|   | SDU 10-24B  | SDU 20-24B  |
| Nominal Input Voltage                             | 24 V dc   |             |
| Efficiency (Normal Mode) - Battery Fully Charged  | >95%  | >95%        |
| Efficiency (BATTERY Mode) - Battery Fully Charged | >93%  | >93%        |
| <b>INPUT</b>                                      |   |             |
| Nominal Input Voltage                             | 24V   |             |
| Input Voltage Range                               | 22.1 – 28.6 V dc  |             |
| Contact Relay                                     | 50Vdc, 0.2A   | 50Vdc, 0.2A |
| <b>OUTPUT</b>                                     |   |             |
| Nominal Output Voltage                            | 24 V dc   |             |
| Output Voltage Range                              | Ubat range: 22.1 – 28.6 Vdc maximum<br>Worst case: Ubat - 0.4 V DC = Uout             |             |
| Output Ripple(Normal Mode) Fully Charged          | Uin Ripple = Uout Ripple  |             |
| Rated Output Current                              | 10 A  | 20 A        |
| Rated Output Power                                | 240W  | 480W        |
| <b>PROTECTION</b>                                 |   |             |
| Input Current Protection (Normal Mode)            | Internally Fused 30A 32VDC  |             |
| Peak current capability (Normal Mode)             | Power boost (allows for 150% of rated load) for > 4 seconds                           |             |
| Reverse Polarity, input voltage                   | UPS goes to battery mode  |             |
| Reverse Polarity, battery input                   | UPS does not turn on  |             |
| Output Short Circuit                              | UPS shutdown, Auto-recovery   |             |
| Battery Over Voltage Protection                   | Charging stops at 28V, Auto-recovery  |             |
| Input Protection                                  | Allowable Input range is 21.6V min and 28.6V max.<br>or else UPS goes to Battery Mode |             |
| Back EMF Immunity, output                         | < 35 V Max No damage, Auto-recovery   |             |
| Overtemperature Protections                       | Unit shutdown, Auto-recovery  |             |
| <b>WEIGHT &amp; DIMENSIONS</b>                    |   |             |
| Net Weight  | 0.88 lb. (0.4 kg)   |             |
| H x W x D   | 4.88 in. x 1.37 in. x 4.80 in. (124 mm x 35 mm x 121.9 mm)                            |             |


Table 12

| <b>Power Module Specifications</b> |  |                   |
|------------------------------------|--|-------------------|
| <b>Parameter</b>                   | <b>Catalog Number</b>  |                   |
|                                    | <b>SDU 10-24B</b>  | <b>SDU 20-24B</b> |
| <b>ENVIRONMENT</b>                 |  |                   |
| Audible Noise                      | <40 dBA (1 m) distance   |                   |
| Operating Temperature              | Ordinary Location: -15°C to +50°C  |                   |
|                                    | Hazardous Location: -15°C to +40°C   |                   |
| Storage Temperature                | -40°C to +85°C   |                   |
| Humidity                           | 0 to 95%, non-condensing   |                   |
| Pollution                          | Degree 2   |                   |
| Maximum Elevation                  | 3000m max  |                   |
| Shock                              | According to IEC60068-2-27   |                   |
| Vibration                          | According to IEC60068-2-6  |                   |
| <b>GENERAL</b>                     |  |                   |
| MTBF                               | >1,000,000 hours; Telcordia SR-332 @ 40C   |                   |
| Life Expectancy                    | >15 yrs. 50% load at 40C   |                   |
|                                    | >15 yrs. 100% load at 25C  |                   |
| <b>INSTALLATION</b>                |  |                   |
| Power Input/Output Terminals       | Connector size range: 10-14 AWG (5.3-2.1 mm <sup>2</sup> )<br>for solid/stranded conductors.<br><br>Screw Torque: 4.4 -6.5 lb-in (50-73 N-cm)  |                   |
| Battery Terminals                  | Polarized Terminal Connections for the Battery<br>(+Red color, - Black color)<br><br>The maximum length of the connection<br>between the power module and battery module is 6 ft. (1.85m). |                   |
| Relay Contact Terminals            | Use connector size range: 24 – 16 AWG (0.34 – 4mm <sup>2</sup> )   |                   |
| Mounting                           | Use DIN TS35/7.5 or TS35/15 rail system. Apply to both thin and thick<br>DIN Rail (1.0 and 1.5mm), optional screw mounting set SDU-PMBRK.  |                   |

Table 12

| Power Module Specifications |                |            |
|-----------------------------|----------------|------------|
| Parameter                   | Catalog Number |            |
|                             | SDU 10-24B     | SDU 20-24B |

**SAFETY CERTIFICATIONS**

|                    |   |
|--------------------|---|
| SDU DC UPS System* | <p><b>Hazardous Locations (except SDU 24-BATEM):</b><br/>  Recognized - UL121201/CSA 213 Class I, Division 2 Groups A B C D T4, UL/CSA 60079-0, UL/CSA 60079-7, UL/CSA 60079-15 Class I, Zone 2, Groups IIC</p> <p><b>UKCA and CE Ex Certified:</b><br/>           EN IEC 60079-0, EN IEC 60079-7, EN IEC 60079-15</p> <p>SDU 10-24B, SDU 20-24B - II 3 G Ex ec nC IIC T4 Gc, UL 22 ATEX 2553X, UL22UKEX2393X</p> <p>SDU 24-BATB - II 3 G Ex ec IIC T4 Gc, UL 22 ATEX 2553X, UL22UKEX2393X</p> <p>cULus Listed: UL/CSA 61010-1, UL/CSA 61010-2-201</p> <p>cRUus: UL Recognized Component UL/CSA 62368-1, UL/CSA 60950-1</p> <p>CE LVD / UKCA EE (Safety) Regulations 2016 –IEC/EN 62368-1, IEC/EN 61010-1, IEC/EN 61010-2-201 (CB Certified IEC/EN 60950-1)</p> <p>CE/UKCA EMC - EN 62040-2 Category C2, EN 55032, EN 55011, EN 55035, EN 61000-6-1, EN 61000-6-2, EN 61000-6-3, EN 61000-6-4, EN 61326-1, EN61000-3-2, EN 61000-3-3</p> <p><b>See Note 1 below-</b> UL Recognized UL121201/CSA 213 Class I, Division 2 Groups A B C D T4</p> <p><b>See Note 1 below-</b> ATEX/UKCA – EN IEC 60079-0, EN IEC 60079-7, EN IEC 60079-15</p> <p>Models SDU 10-24B, SDU 20-24B - II 3 G Ex ec nC IIC T4 Gc</p> <p>Model SDU 24-BATB - II 3 G Ex ec IIC T4 Gc</p> |
|--------------------|---|

\*The SDU DC UPS system includes a power module (SDU 10-24B or SDU 20-24B) and a battery module (SDU 24-BATB or SDU 24-BATEM).

**Note 1-**

 **WARNING - Risk of explosion.**

The SDU 24-BATEM has not been evaluated for use in any hazardous location and cannot be installed in a Class I, Div 2 or Class I, Zone 2 hazardous location. Do not install in a hazardous location!

Table 13

**Battery Module Specifications**

| Parameter  | Catalog Number   |   |
|--|--|---|
|  | SDU 24-BATB  | SDU 24-BATEM<br>(see Note 1 below)                            |
| Nominal Voltage  | 24 V dc  |   |
| Protection   | Fuse: 30 A   | Circuit Breaker: 24 V, 25 A                                   |
| Charging Current   | 1.2 A  |   |
| Battery Type   | Sealed, maintenance-free lead acid batteries   |   |
| Enclosure Type   | IP20   | NEMA 1  |
| Terminal Connector Type  | Polarized power pole connectors  |   |
| Operating Temperature  | Ordinary Location: -15°C to +50°C  |   |
|  | Class I, Div 2/ Zone 2<br>Hazardous Location: -15°C to +40°C   | <b>N/A</b><br><b>Not for use in<br/>a hazardous location.</b> |
| Storage Temperature  | -15°C to +40°C   |   |
| Humidity   | 95%, non-condensing  |   |
| Typical Recharge Time<br>(to 90% of full capacity)   | SDU 24-BATB: 6 hours for 2 battery modules; 3 hours for each additional battery module<br>SDU 24-BATEM: 8 hours for 1 battery module |   |
| Backup Times   | See Tables 5–8   |   |
| Weight   | 11.46 lb. (5.2 kg)   | 16 lb. (7.26 kg)  |
| Enclosure Dimensions   | 7.57 in. x 4.85 in. x 4.33 in.<br>(192.4 mm x 123.3 mm x 110 mm)   | 11.50 in. x 5.57 in. x 4.57 in.<br>(292 mm x 142 mm x 116 mm) |
| Mounting   | Simple snap-on system for DIN rail<br>TS35/7.5 or TS35/15 or optional<br>chassis mounting brackets<br>(P/N: SDU-PMBRK)               | Chassis mounting brackets<br>(P/N: SDU-PMBRK)                 |
| Accessories  | 1 ft (30.5cm) polarized<br>battery cable   | 6 ft (180cm) polarized<br>battery cable                       |
| *The SDU DC UPS B-Series system includes a power module (SDU 10-24B or SDU 20-24B) and a battery module (SDU 24-BATB or SDU 24-BATEM). |  |   |

**Note 1-**

 **WARNING - Risk of explosion.**

The SDU 24-BATEM has not been evaluated for use in any hazardous location and cannot be installed in a Class I, Div 2 or Class I, Zone 2 hazardous location. Do not install in a hazardous location!

# Troubleshooting

Table 14

| <b>Troubleshooting</b>  |  |   |
|---|--|---|
| <b>Problem</b>  | <b>Probable Cause</b>  | <b>Required Action</b>  |
| UPS has no output   | Remote ON/OFF terminals (R1 and R2) are not short circuited.                                     | Insert REMOTE ON/OFF BYPASS jumper to short circuit the terminals.                  |
|   | Input DC voltage is not within the acceptable range of 22.1V – 28.6V and the battery is drained. | Check the DC input voltage. If the input is within the range, check the input fuse. |
|   | Load is short circuited  | Remove the load.  |
|   | Other failure.   | Contact Technical Support.  |
| UPS cannot turn ON at Normal Mode   | Loose input DC voltage power connection.   | Tighten the dc input power connection.  |
|   | Input DC voltage is not within the acceptable range of 22.1V – 28.6V.                            | Adjust dc input voltage   |
|   | Other failure.   | Contact Technical Support.  |
| UPS cannot turn ON at Battery Mode  | Battery is Drained or not connected  | Connect or recharge battery.  |
| Backup time is too short  | Battery is not fully charged.  | Recharge the UPS for at least three (3) hours.                                      |
|   | Battery has low capacity due to deterioration  | Replace the battery   |
|   | Other failure.   | Contact Technical Support.  |
| Display Steady Red at Battery LED   | Battery is drained   | Recharge the battery for at least three (3) hours.                                  |
|   | Battery is disconnected.   | Check battery connections.  |
|   | Other battery failure.   | Replace the battery.  |
| <b>SOLAHD Technical Support</b>   |  |   |
| For further assistance, please contact SolaHD Technical Support at 1.800.377.4384/1.847.268.6651 or by e-mail at <a href="mailto:solahd.technicalservices@emerson.com">solahd.technicalservices@emerson.com</a> . |  |   |

---

# Storage

## Extended Storage

- Store the UPS covered and upright in a cool, dry location with the battery fully charged.
- Remove the REMOTE ON/OFF Bypass Jumper (or turn remote ON/OFF Switch to OFF position). Remove any accessories in the accessory slot and disconnect any cables connected to the computer interface port to avoid unnecessary draining of the battery.
- During extended storage in environments where the ambient temperature is -15°C to +30°C (+5°F to +86°F), charge the UPS battery every 4 months.
- During extended storage in environments where the ambient temperature is +30°C to +45°C (+86°F to +113°F), charge the UPS battery every three (3) months.

---

The information in this manual is provided as a guide for installation, operation, and maintenance. It does not affect or exceed our obligations under the Terms and Conditions of Sale.

Note that unit specifications are subject to change without notice.

## Technical Support

Website: [www.solahd.com](http://www.solahd.com)

Technical Support E-Mail: [solahd.technicalservices@emerson.com](mailto:solahd.technicalservices@emerson.com)

Toll-Free: (800) 377-4384

USA: (847) 268-6651

## Warranty

### Warranty Information

Please refer to the “Terms & Conditions of Sale” at <https://www.appleton.emerson.com/documents/appleton-grp-llc-terms-of-sale-policies-procedures-en-us-7444090.pdf>

### Product Literature

For additional product literature, including French and Spanish manuals, please visit [www.solahd.com](http://www.solahd.com).

While every precaution has been taken to ensure accuracy and completeness in this manual, Appleton Grp LLC d/b/a Appleton Group assumes no responsibility, and disclaims all liability for damages resulting from use of this information or for any errors or omissions.

The Emerson logo is a trademark and service mark of Emerson Electric Co.  
Appleton Grp LLC d/b/a Appleton Group. SolaHD is a registered trademark of Appleton Grp LLC.  
All other marks are the property of their respective owners. © 2022 Emerson Electric Co. All rights reserved.

**United States  
(Headquarters)**

Appleton Grp LLC  
9377 W. Higgins Road  
Rosemont, IL 60018  
United States  
T +1 800 621 1506

**Australia Sales Office**

Bayswater, Victoria  
T +61 3 9721 0387

**Korea Sales Office**

Seoul  
T +82 2 3483 1555

**Europe**

ATX SAS  
Espace Industriel Nord  
35, rue André Durouchez,  
CS 98017  
80084 Amiens Cedex 2  
France  
T +33 3 2254 1390

**China Sales Office**

Shanghai  
T +86 21 3338 7000

**Canada**

EGS Electrical Group Canada  
Ltd.  
99 Union Street  
Elmira ON, N3B 3L7  
Canada  
T +1 888 765 2226

**Middle East Sales Office**

Dammam, Saudi Arabia  
T +966 13 510 3702

**Asia Pacific**

EGS Private Ltd.  
Block 4008, Ang Mo Kio  
Ave 10,  
#04-16 TechPlace 1,  
Singapore 569625  
T +65 6556 1100

**Chile Sales Office**

Las Condes  
T +56 2928 4819

**Latin America**

EGS Comercializadora  
Mexico S de RL de CV  
Calle 10 N°145 Piso 3  
Col. San Pedro de los Pinos  
Del. Álvaro Obregon  
Ciudad de México. 01180  
T +52 55 5809 5049

**India Sales Office**

Chennai  
T +91 44 3919 7300