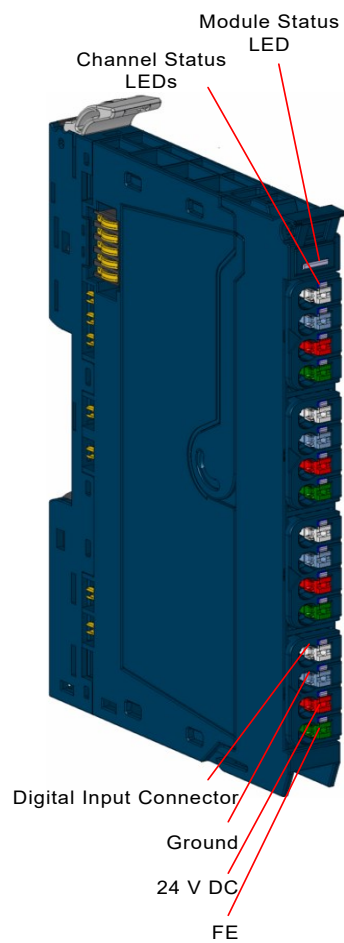


PACSystems™ RSTi-EP

ANALOG INPUT MODULES

(EP-3124, EP-3164, EP-3264, EP-3368,
EP-3468, EP-3664, EP-3704, EP-3804 & EP-1813)



Warnings and Caution Notes as Used in this Publication

WARNING

Warning notices are used in this publication to emphasize that hazardous voltages, currents, temperatures, or other conditions that could cause personal injury exist in this equipment or may be associated with its use.

In situations where inattention could cause either personal injury or damage to equipment, a Warning notice is used.

CAUTION

Caution notices are used where equipment might be damaged if care is not taken.

Note: Notes merely call attention to information that is especially significant to understanding and operating the equipment.

These instructions do not purport to cover all details or variations in equipment, nor to provide for every possible contingency to be met during installation, operation, and maintenance. The information is supplied for informational purposes only, and Emerson makes no warranty as to the accuracy of the information included herein. Changes, modifications, and/or improvements to equipment and specifications are made periodically and these changes may or may not be reflected herein. It is understood that Emerson may make changes, modifications, or improvements to the equipment referenced herein or to the document itself at any time. This document is intended for trained personnel familiar with the Emerson products referenced herein.

Emerson may have patents or pending patent applications covering subject matter in this document. The furnishing of this document does not provide any license whatsoever to any of these patents.

Emerson provides the following document and the information included therein as-is and without warranty of any kind, expressed or implied, including but not limited to any implied statutory warranty of merchantability or fitness for particular purpose.

Introduction

Emerson provides a range of RSTi-EP analog input modules with 4 or 8 inputs and up to 16-bit resolution. The measurement range is defined by parameterization with an accuracy of 0.1% FSR with the exception of EP3124, which 0.25% FSR. The parameters for the measurement range can be individually set for each channel.

The EP-3704 module can detect up to 4 analog resistance temperature detectors. The resolution is 16 bit per channel. The EP-3804 module can detect up to 4 analog thermocouple sensors or voltages between ± 15 mV and ± 2 V.

The EP-1813 module is a Power measurement module included in the list of Analog Input modules. This module can measure and process all relevant measurands (RMS Voltage, RMS Current, Active power, etc.) of one or three phase current consumers (up to 500 V AC phase-to-phase voltage).

The wiring connectors on each module are color coded for ease of wiring. Refer to the section, Field wiring for additional information. Each module features a type plate, which includes identification information, the key technical specifications, and a block diagram. In addition, a QR code allows for direct online access to the associated documentation. The software for reading the QR code must support inverted QR codes.

Markers are available as accessories for labelling equipment. Each I/O module can be labelled using the markers to ensure clear identification when replacing individual modules or electronic units.

A green Module Status LED indicates there is communication on the system bus. In addition, each channel has its own status LED. The RSTi-EP station is usually installed on a horizontally positioned DIN rail. Installation on vertically positioned DIN rails is also possible.

Modules should to be allowed to de-energize for a minimum 10 seconds after power down, prior to starting any maintenance activity.

Refer to the RSTi-EP Slice I/O Module User Manual (GFK-2958) for additional information.

Refer to the RSTi-EP Power Supply Reference Guide, a software utility available on PAC Machine Edition V9.00, for detailed power-feed requirements.

Module Features

- Spring style technology for ease of wiring
- DIN rail mounted
- Double-click installation for positive indication of correct installation
- Up to 8 analog inputs
- Supports indirect firmware update through network adapter using Web server
- Supports hot insertion and extraction

Ordering Information

Module	Description
EP-3124	Analog Input, 4 Channels Voltage/Current 12 Bits 2, 3, or 4 Wire
EP-3164	Analog Input, 4 Channels Voltage/Current 16 Bits 2, 3, or 4 Wire
EP-3264	Analog Input, 4 Channels Voltage/Current 16 Bits with Diagnostics 2, 3, or 4 Wire
EP-3368	Analog Input, 8 Channels Current 16 Bits 2, 3, or 4 Wire
EP-3468	Analog Input, 8 Channels Current 16 Bits 2, 3, or 4 Wire, Channel Diagnostic
EP-3664	Analog Input, 4 Channels Voltage/Current 16 Bits with Diagnostics 2, 3, or 4 Wire, Differential Input
EP-3704	Analog Input, 4 Channels RTD 16 Bits with Diagnostics 2, 3, or 4 Wire
EP-3804	Analog Input, 4 Channels TC 16 Bits with Diagnostics 2, 3, or 4 Wire
EP-1813	Power Measurement Module, 8 Channels

Specifications

Specifications	EP-3124	EP-3164	EP-3264	EP-3368	EP-3468
System Data					
Data	Process, parameter and diagnostic data depend on the network adapter used.				
Interface	RSTi-EP system bus				
System bus transfer rate	48 Mbps				
Potential isolation	Test voltage: max. 28.8 V within one channel, 500 V DC field/system Pollution severity level: 2 Overvoltage category: II				
Common mode voltage	Against: 0V - ± 50 V Channel-Channel: ± 3 V				
Inputs					
Number	4	4	4	8	8
Input values	1. Voltage (0 to 5 V, ± 5 V, 0 to 10 V, ± 10 V, 1 to 5 V, 2 to 10 V) 2. Current (0 to 20 mA, 4 to 20 mA)			Current input (0 to 20 mA, 4 to 20 mA)	
Threshold Values*	Voltage		Underrange	Overrange	
	0 to 5V		x	5.25V	
	-5V to +5V		-5.25V	+5.25V	
	0 to 10V		x	+10.5V	
	-10V to +10V		-10.5V	+10.5V	
	1V to 5V		+0.9V	+5.25V	
	2V to 10V		+1.8V	+10.5V	
	Current		Underrange	Overrange	
	0 to 20mA		x	21.67mA	
4 to 20mA		3.6mA	21.67mA		
Resolution	12 bits	16 bits			
Frequency suppression	Options: disabled (0) / 50 Hz (1) / 60 Hz (2) / Average over 16 values (3) Default: disabled				
Accuracy	0.25 % max. at 25 °C (77 °F) 50 ppm/K max. Temperature coefficient max. -10 mV/A additional inaccuracy in the voltage mode due to sensor power supply current	0.1 % max. at 25 °C (77 °F) 50 ppm/K max. Temperature coefficient max. -10 mV/A additional inaccuracy in the voltage mode due to sensor power supply current		0.1 % max. at 25 °C (77 °F) 50 ppm/K max. Temperature coefficient	
Sensor supply	max. 2 A per plug, total max. 8 A	max. 2 A per plug, total max. 8 A	max. 0,5 A per plug	max. 125 mA per channel; channel 0 to 3 and 4 to 7 respectively are fused in combination	
Sensor connection	2-wire, 3-wire, 3-wire + FE				
Conversion time	1 ms				
Internal resistance	Voltage mode: 100 k Ω ; Current mode: 41.2 Ω			approx. 45 Ω	

Specifications	EP-3124	EP-3164	EP-3264	EP-3368	EP-3468
Reverse polarity protection	Yes				
Short-circuit-proof	Yes				
Response time of the protective circuit	< 0.1 s with short-circuit to +24 V	< 50 ms	< 50 ms	< 0.1 s with short-circuit to +24 V	
Reset time	--	--	--	Temperature-dependent (< 30 s at 20°C)	
Module diagnostics	Yes				
Individual channel diagnostics	No	No	Yes	No	Yes
Supply					
Supply voltage	20.4V – 28.8V via system bus				
Current consumption from system current path ISYS	8 mA				
Current consumption from input current path IIN	25 mA + sensor supply current			20 mA + load	
General data					
Operating temperature	-20°C to +60°C (-4 °F to +140 °F)				
Storage temperature	-40°C to +85°C (-40 °F to +185 °F)				
Air humidity (operation/transport)	5% to 95%, noncondensing as per IEC 61131-2				
Width	11.5 mm (0.45 in)				
Depth	76 mm (2.99 in)				
Height	120 mm (4.72 in)				
Weight	87 g (3.07 oz)	89 g (3.14 oz)	89 g (3.14 oz)	90 g (3.17 oz)	90 g (3.17 oz)
*The Threshold ranges are applicable with FW version "01.00.36" onwards					
Specifications	EP-3664				
System Data					
Data	Process, parameter and diagnostic data depend on the network adapter used.				
Interface	RSTi-EP system bus				
System bus transfer rate	48 Mbps				
Potential isolation	Test voltage: max. 28.8 V within one channel, 500 V DC field/system Pollution severity level: 2 Overvoltage category: II				
Common mode voltage	Against: -30 V ...+30 V				
Inputs					
Number	4				
Input values	1. Voltage (0 to 5 V, ±5 V, 0 to 10 V, ±10 V, 1 to 5 V, 2 to 10 V) 2. Current (0 to 20 mA, 4 to 20 mA)				
Threshold Values*	Voltage	Underrange	Overrange		
	0 to 5V	x	5.25V		
	-5V to +5V	-5.25V	+5.25V		
	0 to 10V	x	+10.5V		
	-10V to +10V	-10.5V	+10.5V		
	1V to 5V	+0.9V	+5.25V		
	2V to 10V	+1.8V	+10.5V		

Specifications	EP-3124	EP-3164	EP-3264	EP-3368	EP-3468									
	<table border="1"> <thead> <tr> <th>Current</th> <th>Underrange</th> <th>Overrange</th> </tr> </thead> <tbody> <tr> <td>0 to 20mA</td> <td>x</td> <td>21.67mA</td> </tr> <tr> <td>4 to 20mA</td> <td>3.6mA</td> <td>21.67mA</td> </tr> </tbody> </table>		Current	Underrange	Overrange	0 to 20mA	x	21.67mA	4 to 20mA	3.6mA	21.67mA			
Current	Underrange	Overrange												
0 to 20mA	x	21.67mA												
4 to 20mA	3.6mA	21.67mA												
Resolution	16 bits													
Frequency suppression	Options: disabled (0) / 50 Hz (1) / 60 Hz (2) / Average over 16 values (3) Default: disabled													
Accuracy	0.1 % max. at 25 °C (77 °F) 50 ppm/K max. Temperature coefficient													
Sensor supply	max. 0,5 A per plug, no galvanic isolation													
Sensor connection	2-wire, 3-wire, 4-wire													
Conversion time	1 ms													
Internal resistance	Voltage mode: 89 kΩ; Current mode: 16 Ω													
Reverse polarity protection	Yes													

Specifications	EP-3664
Short-circuit-proof	Yes
Module diagnostics	Yes
Individual channel diagnostics	Yes
Supply	
Supply voltage	20.4V – 28.8V via system bus
Current consumption from system current path ISYS	8 mA
Current consumption from input current path IIN	31 mA + Load
General data	
Operating temperature	-20°C to +60°C (-4 °F to +140 °F)
Storage temperature	-40°C to +85°C (-40 °F to +185 °F)
Air humidity (operation/transport)	5% to 95%, noncondensing as per IEC 61131-2
Width	11.5 mm (0.45 in)
Depth	76 mm (2.99 in)
Height	120 mm (4.72 in)
Weight	91 g (3.21 oz)
*The Threshold ranges are applicable with FW version "01.00.36" onwards	

Specifications	EP-3704	EP-3804†
System Data		
Data	Process, parameter and diagnostic data depend on the network adapter used.	
Interface	RSTi-EP system bus	
System bus transfer rate	48 Mbps	
Potential isolation	Test voltage: max. 28.8 V within one channel, 500 V DC field/system Pollution severity level: 2 Overvoltage category: II	
Inputs		
Number	4	
Sensor types	Pt100, Pt200, Pt500, Pt1000, Ni100, Ni120, Ni 200, Ni500, Ni1000, Cu10, and resistors with 40 Ω, 80 Ω, 150 Ω, 300 Ω, 500 Ω, 1 kΩ, 2 kΩ, 4 kΩ	J, K, T, B, N, E, R, S, L, U, C, mV
Resolution	16 bits	
Accuracy	max. 0.2 % FSR / 0.3 % FSR for Ni sensors / 0.6 % FSR for Cu10	Conversion time ≥ 80 ms: 10 μV + 0.1 % of voltage measurement range (without cold-junction measurement error)
Temperature coefficient	±50 ppm/K max.	50 ppm
Sensor connection	2-wire, 3-wire, 4-wire	2-wire
Sensor current	Depending on the sensor type 0,75 mA (Pt100, Ni100, Ni120, Cu10, 40 Ω, 80 Ω, 150 Ω, 300 Ω) or 0,25 mA (Pt200, Pt500, Pt1000, Ni200, Ni500, Ni1000, 500 Ω, 1 kΩ, 2 kΩ, 4 kΩ)	0,25 mA for the cold-junction compensation with a Pt1000
Cold junction compensation	--	Internal and external (Pt1000), int. accuracy ≤ 3 K
Max. wire resistance / measurement range	2.5 Ω / 40 Ω, 5 Ω / 80 Ω, 10 Ω / 150 Ω and Cu10, 25 Ω in all other measuring ranges	--
Temperature range	-200 to +850°C (-328 to 1562 °F)	
Conversion time	36 to 240 ms, adjustable	
Internal resistance	--	> 1 MΩ
Common mode input voltage range	Channel to channel: max. ±2 V	--
	Channel to voltage supply: max. ±50 V	
Reverse polarity protection	Yes	
Module diagnostics	Yes	
Individual channel diagnostics	Yes	
Supply		
Supply voltage	20.4V – 28.8V via system bus	
Current consumption from system current path I _{sys}	8 mA	
Current consumption from input current path I _{IN}	20 mA	
General data		
Operating temperature	-20°C to +60°C (-4 °F to +140 °F)	
Storage temperature	-40°C to +85°C (-40 °F to +185 °F)	
Air humidity (Operation/transprt)	5% to 95%, noncondensing as per IEC 61131-2	
Width	11.5 mm (0.45 in)	
Depth	76 mm (2.99 in)	
Height	120 mm (4.72 in)	

Specifications	EP-1813	
System Data		
Data	Process, parameter and diagnostic data depend on the network adapter used.	
Interface	RSTi-EP system bus	
System bus transfer rate	48 Mbps	
Connections		
Number	3 Neutral conductors	
	3 Phase conductors (voltage measurement)	
	3 Phase conductors (current measurement 5 A)	
	3 Phase conductors (current measurement 1 A)	
Nominal input voltage ¹⁾	0 ... 300 Veff AC (L-N); one or three phase measurement	
Rated voltage	250 V AC (L-N) +20%	
Nominal input current	max. 1 A at measuring connection L' 1 A (current measurement in the phase conductor)	
	max. 5 A at measuring connection L' 5 A (current measurement in the phase conductor)	
Sampling rate	3300 Samples/s	
Resolution (per channel)	16 Bit (internally 24 Bit)	
Frequency range	45 ... 65 Hz	
Limiting frequency of the input filter ²⁾	typ. 4,5 kHz	
Harmonics analysis	Visualization for the first 31 harmonics; 1% accuracy guaranteed for the first 10 harmonics (Blackman-Harris Window)	
Isolation	3,0 kV eff (1 min)	
Rated impulse voltage	4 kV	
Overvoltage category	CAT II (IEC 61010-1)	
Measuring procedure	True RMS in conjunction with high resolution Delta Sigma converter	
Measuring accuracy ³⁾	0,5% for measured values relative to the upper limit of effective range (U/I) 1% for calculated values	
Temperature coefficient	U: 150 ppm/K I: 150 ppm/K	
Conducted disturbances	EN 61000-4-6/IEC 61000-4-6 < ±10.0%	
Input impedance	2,4 MΩ per channel	
Measuring shunt	4 mΩ (at 5 A), 44 mΩ (at 1 A)	
Supply		
Supply voltage	24 V DC +20% /-15%	
Current consumption from system current path I _{SYS}	8 mA	
Current consumption from input current path I _{IN}	12 mA	
General data		
Weight (operational status)	87 g	
ATEX conform	No	
1) Nominal input voltage with corner-grounded systems: 0 ... 200 Veff AC 2) Typical frequency curve for current and voltage measurement 3) Current and voltage values within each phase are measured and are available with 0.5% accuracy. All other results are based on the noted measuring values and are available with 1% accuracy.		
Weight	91 g (3.21 oz)	86 g (3.03 oz)
† Warm up time for the module to get the required accuracy is 30 minutes		

Current Demand for Analog Input Modules

Product	ISYS	IIN	IOUT	IS	IL
EP-3124	8 mA	25 mA	--	x	--
EP-3164	8 mA	25 mA	--	x	--
EP-3264	8 mA	25 mA	--	x	--
EP-3368	8 mA	20 mA	--	--	--
EP-3468	8 mA	20 mA	--	--	--
EP-3664	8 mA	31 mA + Load	--	--	--
EP-3704	8 mA	20 mA	--	--	--
EP-3804	8 mA	20 mA	--	--	--
EP-1813	8 mA	≤ 40 mA			

I_{SYS} Current consumption from the system current path
 I_{IN} Power consumption from input current path
 I_{OUT} Power consumption from output current path
 I_S Current demand of the connected sensors
 I_L Current demand of the connected actuators
x Must be included when calculating the power supply

LED Status

LED	EP-3124	EP-3164	EP-3224	EP-3704	EP-3804
Module Status	Green: Communication over the system bus Red: Module System Fault or Diagnostic Fault	Green: Communication over the system bus Red: Module System Fault or Diagnostic Fault	Green: Communication over the system bus Red: Module System Fault or Diagnostic Fault	Green: Communication over the system bus Red: Module System Fault or Diagnostic Fault	Green: Communication over the system bus Red: Module System Fault or Diagnostic Fault
1.1	Red: channel error	Red: channel error	Red: channel error	Red: channel error	Red: channel error
1.2	--	--	--	--	--
1.3	--	--	Red: +24 V short circuit or line break (with current < 1 mA)	--	--
1.4	--	--	--	--	--
2.1	Red: channel error	Red: channel error	Red: channel error	Red: channel error	Red: channel error
2.2	--	--	--	--	--
2.3	--	--	Red: +24 V short circuit or line break (with current < 1 mA)	--	--
2.4	--	--	--	--	--
3.1	Red: channel error	Red: channel error	Red: channel error	Red: channel error	Red: channel error
3.2	--	--	--	--	--
3.3	--	--	Red: +24 V short circuit or line break (with current < 1 mA)	--	--
3.4	--	--	--	--	--
4.1	Red: channel error	Red: channel error	Red: channel error	Red: channel error	Red: channel error
4.2	--	--	--	--	--
4.3	--	--	Red: +24 V short circuit or line break (with current < 1 mA)	--	--
4.4	--	--	--	--	--

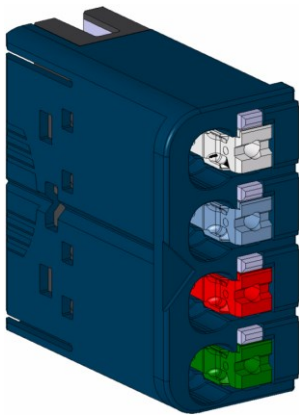
LED	EP-3368	EP-3468
Module Status	Green: Communication over the system bus Red: Module System Fault or Diagnostic Fault	Green: Communication over the system bus Red: Module System Fault or Diagnostic Fault
1.1	Red: channel error	Red: channel error
2.1	Red: channel error	Red: channel error
3.1	Red: channel error	Red: channel error
4.1	Red: channel error	Red: channel error
5.1	Red: channel error	Red: channel error
6.1	Red: channel error	Red: channel error
7.1	Red: channel error	Red: channel error
8.1	Red: channel error	Red: channel error

LED	EP-3664
Module Status	Green: Communication over the system bus Red: Module System Fault or Diagnostic Fault (Collective error diagnostics)
1.1	Red: Line break or range exceeded input 0
1.2	--
1.3	Red: Line break or short circuit in sensor supply
1.4	--
2.1	Red: Line break or range exceeded input 1
2.2	--
2.3	Red: Line break or short circuit in sensor supply
2.4	--
3.1	Red: Line break or range exceeded input 2
3.2	--
3.3	Red: Line break or short circuit in sensor supply
3.4	--
4.1	Red: Line break or range exceeded input 3
4.2	--
4.3	Red: Line break or short circuit in sensor supply
4.4	--

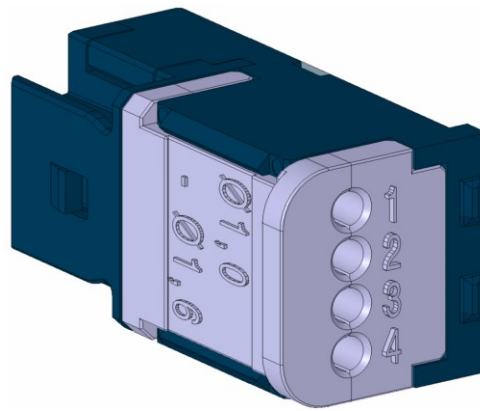
LED	EP-1813
Module Status	Green: Communication over the system bus Red: Module System Fault or Diagnostic Fault (Collective error diagnostics)
1.1	--
1.2	--
1.3	--
1.4	--
2.1	--
2.2	Yellow: Voltage >70 V at L1 Yellow flashing: Running light with 3.2 and 4.2 indicates the phase sequenc
2.3	Red: (parameterised) current alarm limit ¹ exceeded
2.4	Red: (parameterised) voltage alarm limit ² exceeded
3.1	
3.2	Yellow: Voltage >70 V at L2 Yellow flashing: Running light with 2.2 and 4.2 indicates the phase sequence
3.3	Red: (parameterised) current alarm limit ¹ exceeded
3.4	Red: (parameterised) voltage alarm limit ² exceeded
4.1	Red: Line break or range exceeded input 3
4.2	Yellow: Voltage >70 V at L3 Yellow flashing: Running light with 2.2 and 3.2 indicates the phase sequence
4.3	Red: (parameterised) current alarm limit ¹ exceeded
4.4	Red: (parameterised) voltage alarm limit ² exceeded
	1) Max. nominal input current 1 A bzw. 5 A 2) Max. nominal input voltage 300 V

Field Wiring

The connection frame can take up to four connectors, and four wires can be connected to each connector. The *Spring style* technology allows for either finely stranded or solid wire with crimped wire-end ferrules or ultrasonically welded wires, each with a maximum cross-section of 1.5 mm² (16 guage), to be inserted easily through the opening in the clamping terminal without having to use tools. To insert fine stranded wires without wire-end ferrules, the pusher must be pressed in with a screwdriver and released to latch the wire.



Connector with Four Wire Connectors



Connector for HD Module (requires special tool)

Notes: *The four wire connector image is for illustration of color coding only.*

Connector Specifications:

- Conductor cross-section 0.14 to 1.5 mm² (26 – 16 guage)
- Maximum ampacity: 10 A
- 4-pole

The pushers are color-coded for the following connections:

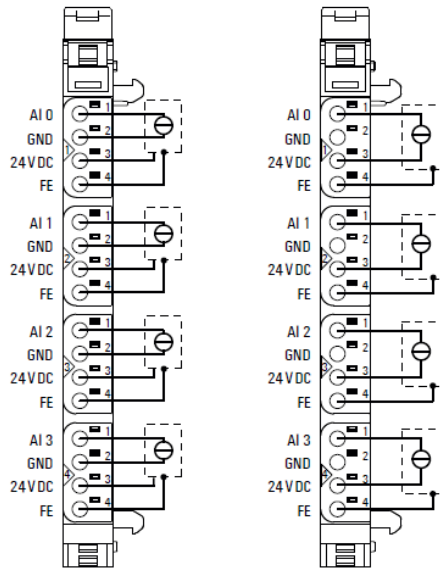
- White Signal
- Blue GND
- Red 24 V DC
- Green Functional earth (FE)

The modules do not have a fused sensor/activator power supply. All cables to the connected sensors/actuators must be fused corresponding to their conductor cross-sections (as per Standard DIN EN 60204-1, section 12).

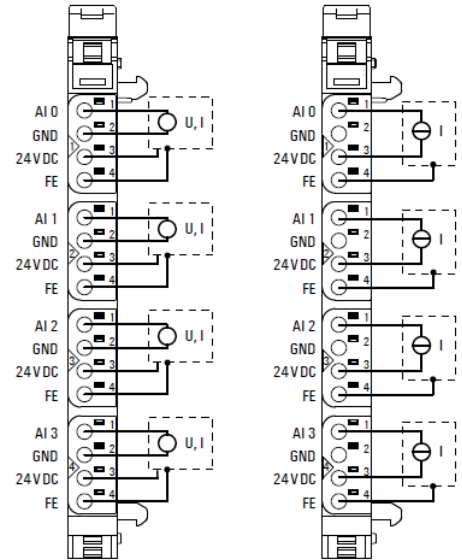
Refer to the RSTi-EP Slice I/O User Manual (GFK-2958) for additional information.

For technical assistance, refer to <https://www.emerson.com/Industrial-Automation-Controls/support>.

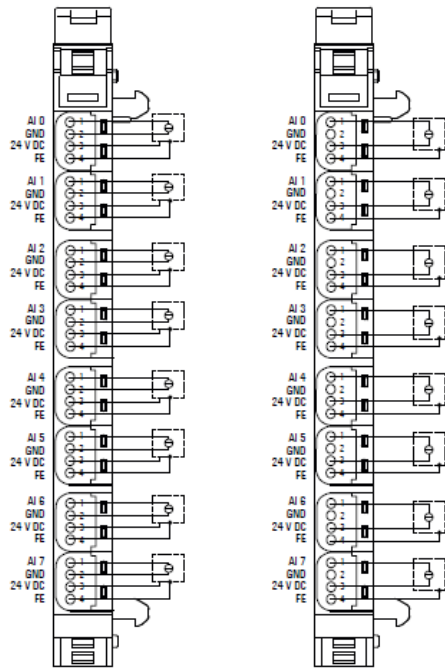
Connection Diagrams



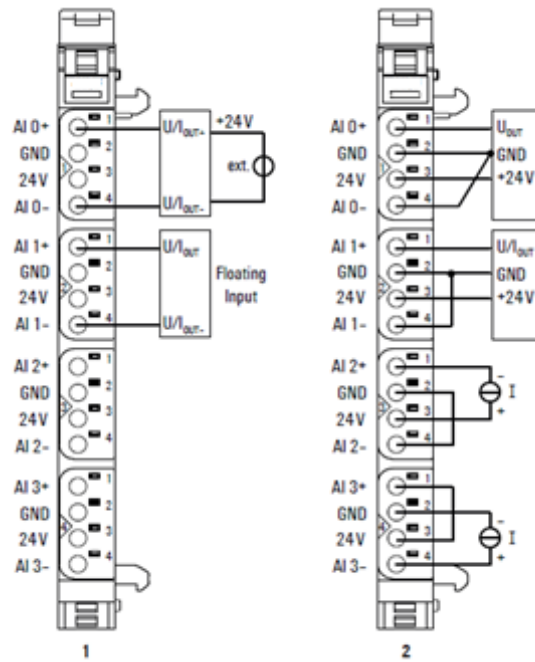
EP-3164 and EP-3264



EP-3124

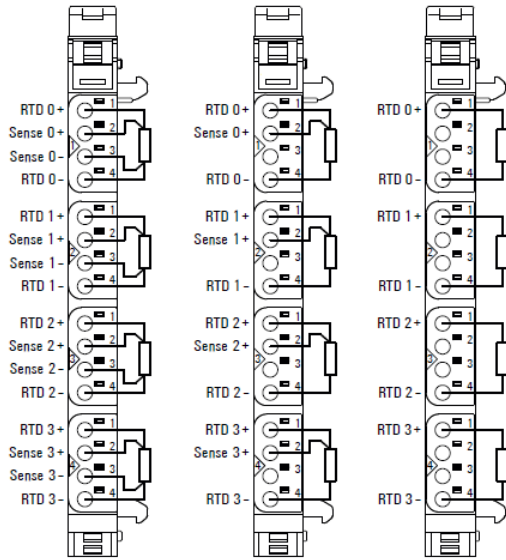


EP-3368 and EP-3468

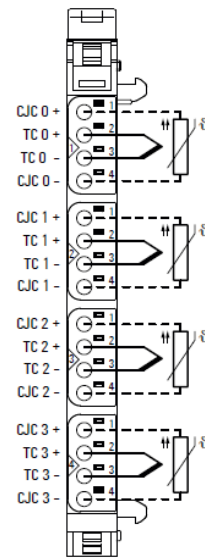


EP-3664

Note: 1= Standard, 2= Alternative option.

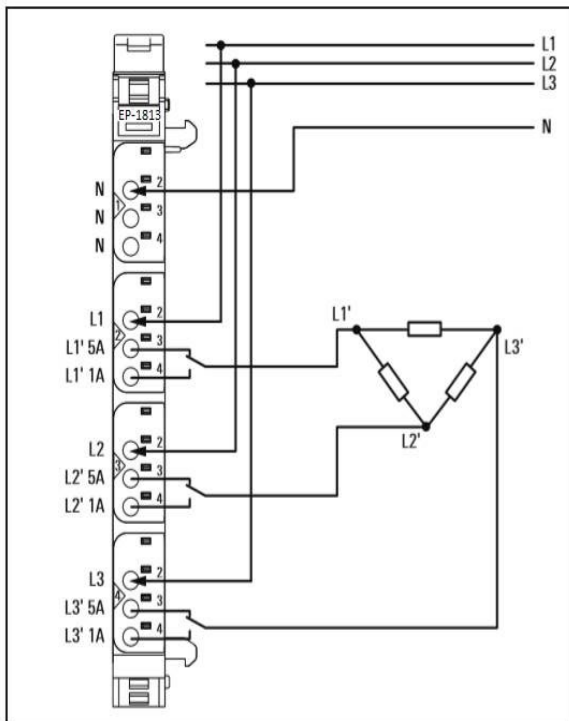


EP-3704

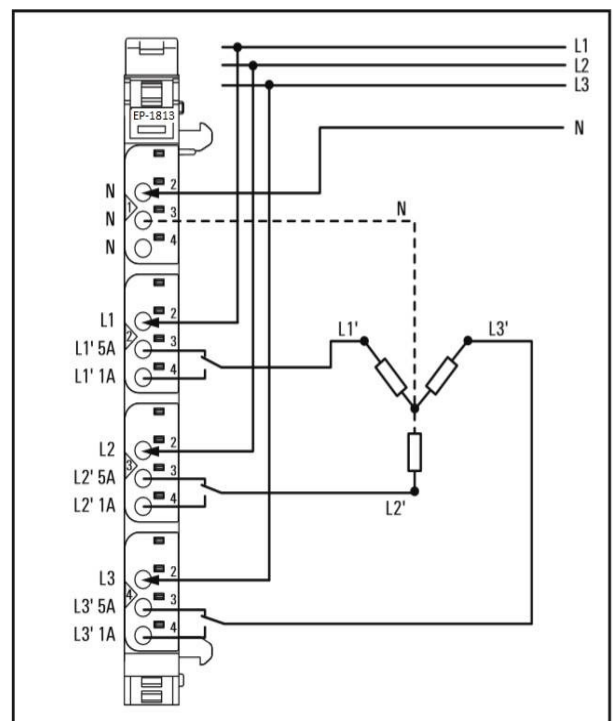


EP-3804

Notes: For EP-3804, the external CJC shown with a dotted line is optional. An internal CJC can also be used.

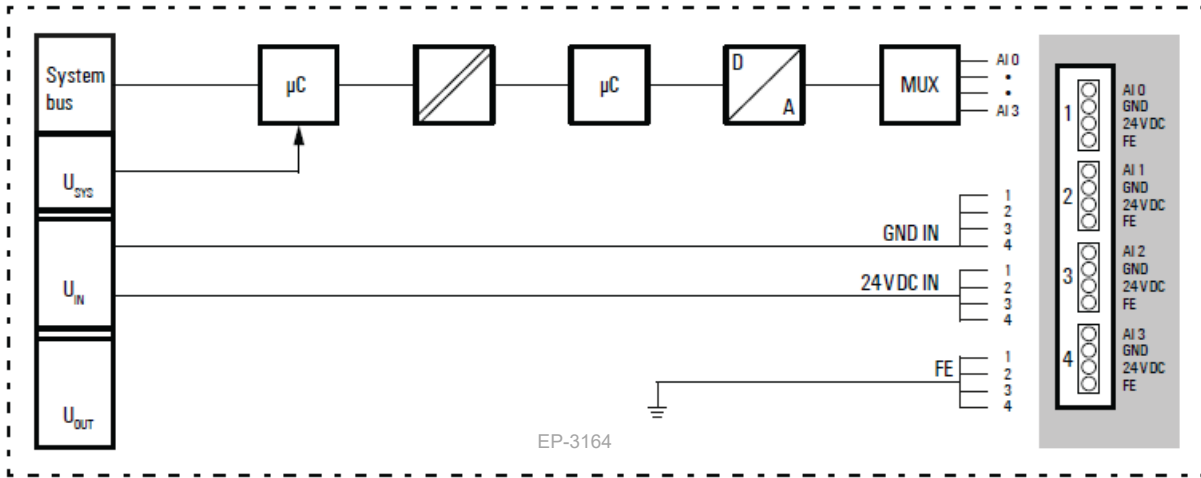


EP-1813 Delta connection (Example)

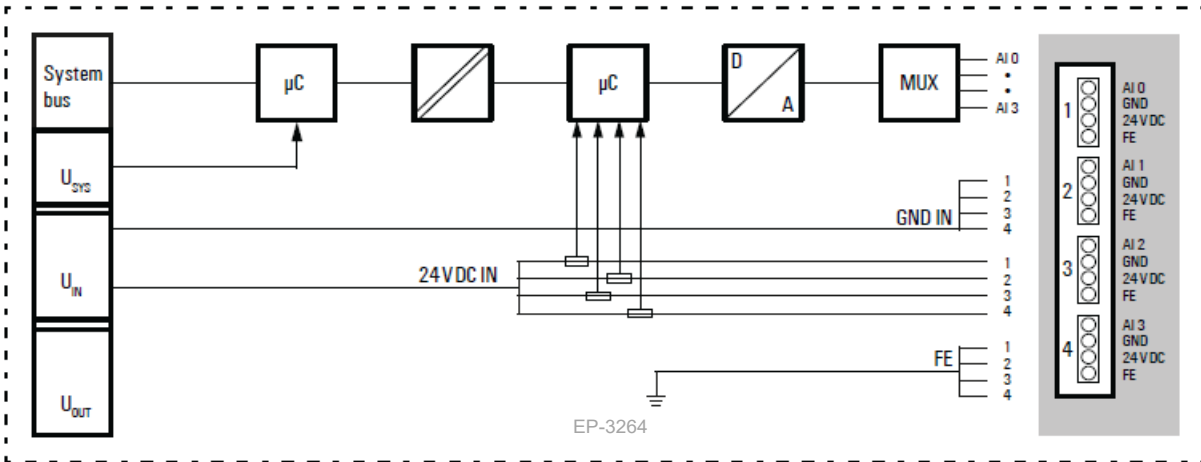


EP-1813 Star connection (Example)

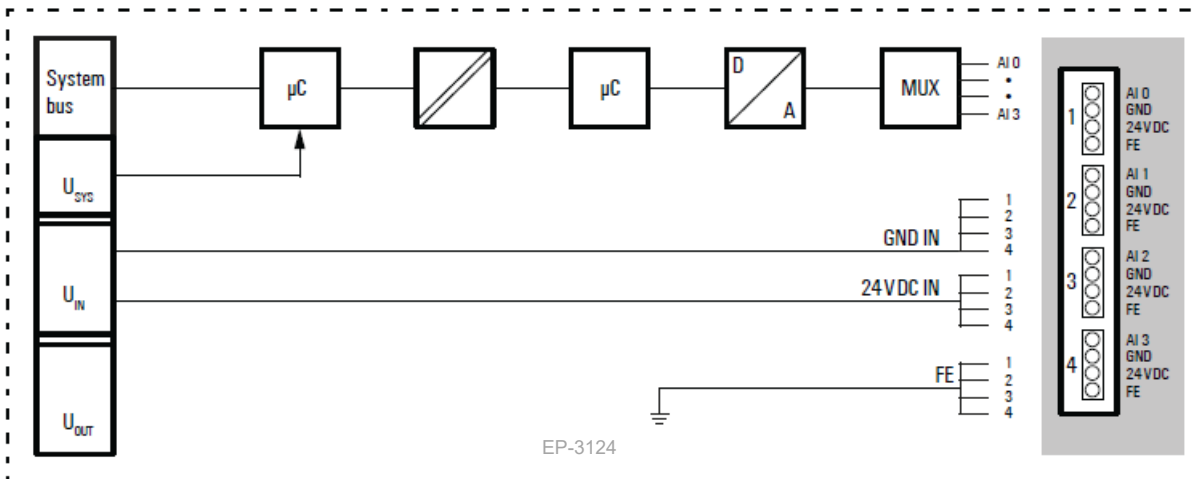
Connection Block Diagrams



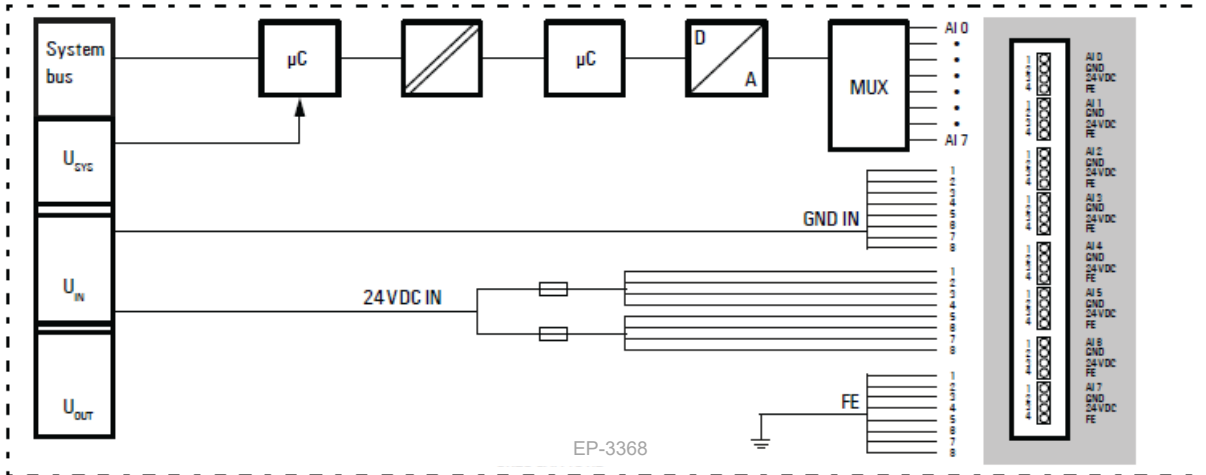
EP-3164



EP-3264

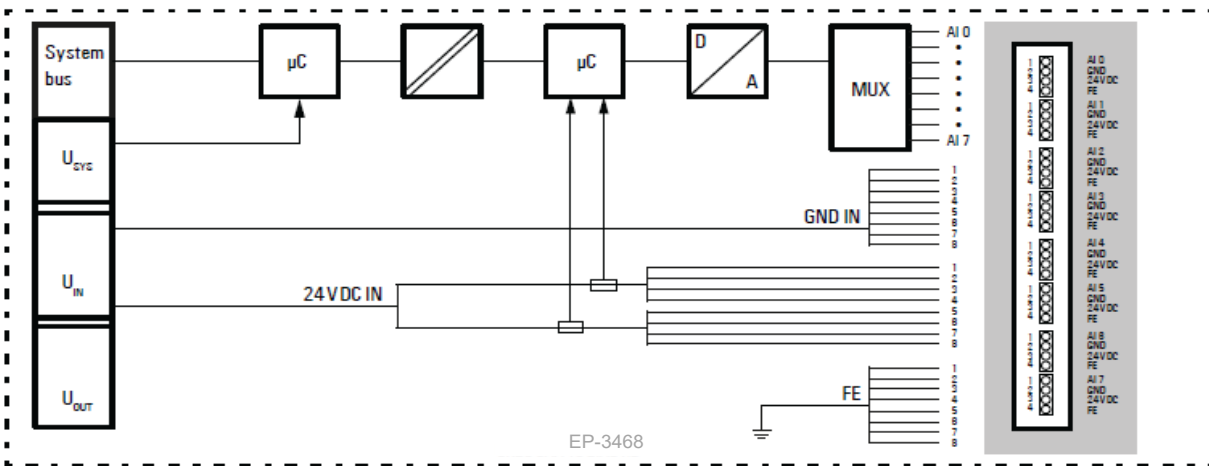


EP-3124



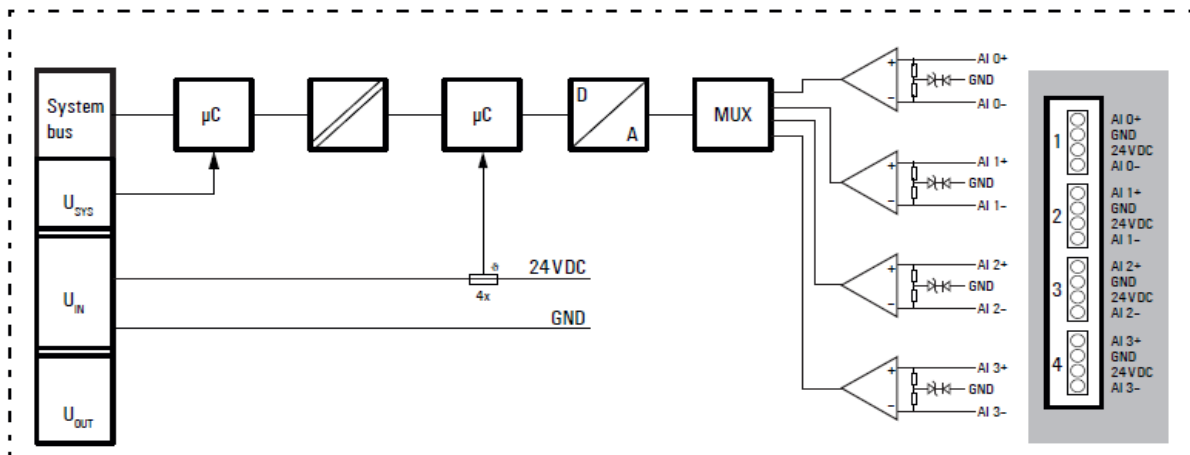
EP-3368

EP-3368

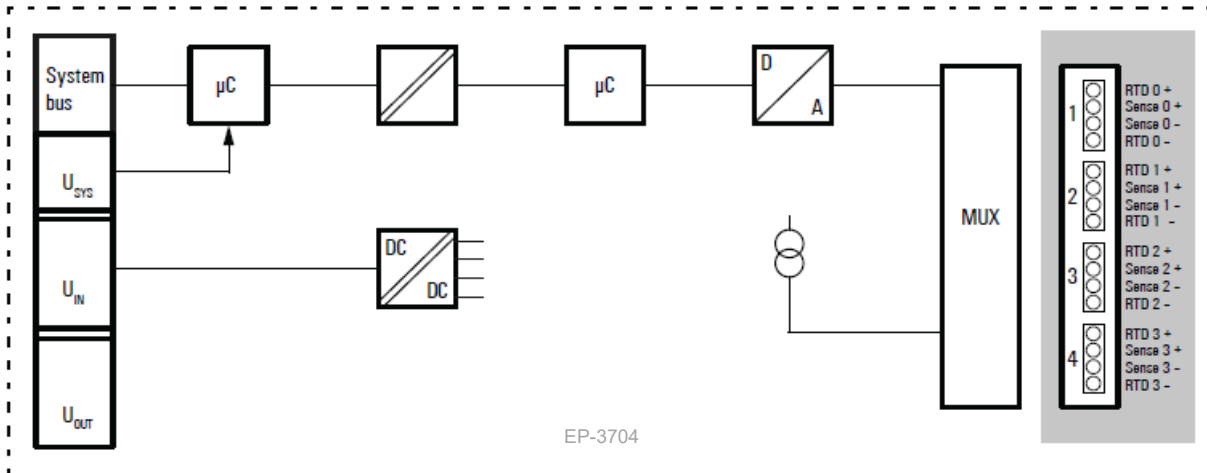


EP-3468

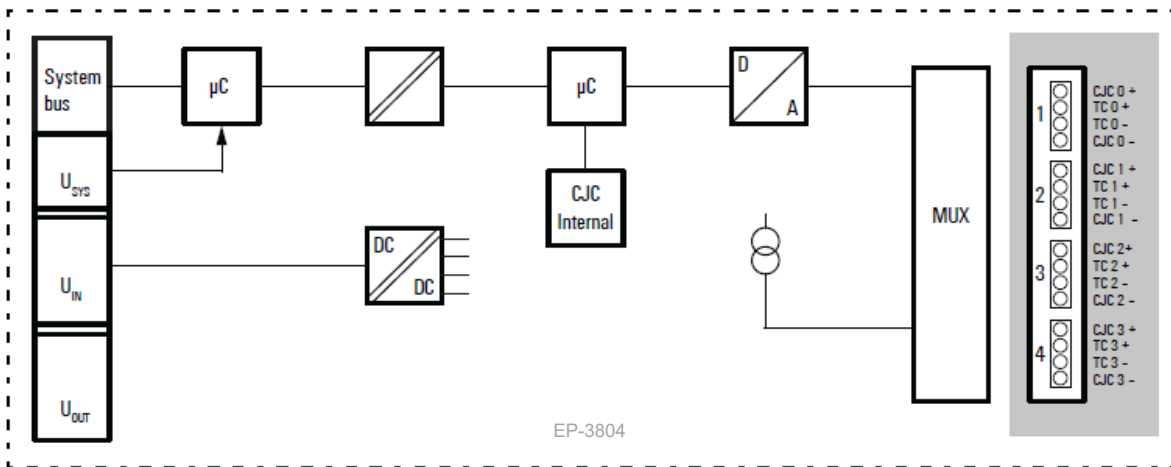
EP-3468



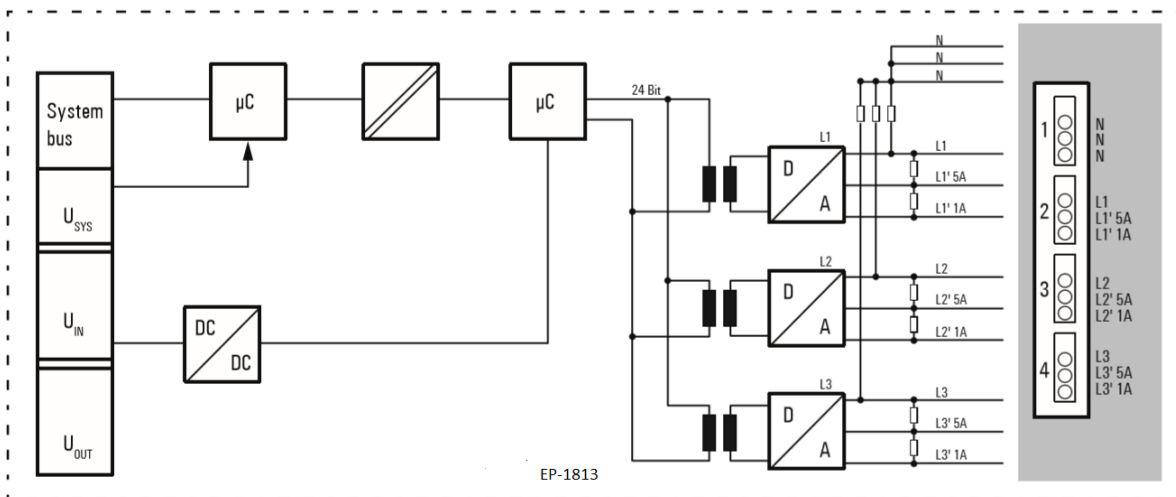
EP-3664



EP-3704



EP-3804



EP-1813

Installation in Hazardous Areas

⚠ WARNING

- EQUIPMENT LABELED WITH REFERENCE TO CLASS I, GROUPS A, B, C & D, DIV. 2 HAZARDOUS AREAS IS SUITABLE FOR USE IN CLASS I, DIVISION 2, GROUPS A, B, C, D OR NON-HAZARDOUS AREAS ONLY .
- EXPLOSION HAZARD - SUBSTITUTION OF COMPONENTS MAY IMPAIR SUITABILITY FOR CLASS I, DIVISION 2;
- EXPLOSION HAZARD - WHEN IN HAZARDOUS AREAS, TURN OFF POWER BEFORE REPLACING OR WIRING MODULES; AND
- EXPLOSION HAZARD - DO NOT CONNECT OR DISCONNECT EQUIPMENT UNLESS POWER HAS BEEN SWITCHED OFF OR THE AREA IS KNOWN TO BE NONHAZARDOUS.

ATEX Marking

Ⓔ II 3 G Ex nA IIC T4 Gc

Ta: -20°C to +60°C (-4° F to +140 °F)

Notes: ATEX Marking is not applicable for EP-1813 Module

Release History

Catalog Number	Firmware Version	Date	Comments
EP-3704-DE EP-3804-DE	01.00.13	Sep 2022	Firmware update to allow additional suppliers on approved vendor list. No impact to existing functionality.
EP-3164-CF EP-3124-CF EP-3264-CF EP-3368-BF EP-3468-BF	01.02.04	Dec 2021	<ol style="list-style-type: none"> 1. Channel current overflow error fixed, when the AI channel is in current mode (0-20mA) and the 2Hz filter is activated, it happens sporadically that the channel jumps briefly to 32767 (overflow) and triggers a diagnostic fault. 2. Channel voltage overflow error fixed, when the AI channel is in voltage mode(0-10V) and the 2Hz filter is activated, it happens sporadically that the channel jumps briefly to 32767(overflow) and triggers a diagnostic fault.
EP-1813-AA	01.00.47	Dec 2019	Power Measurement Module:- Initial Release
EP-3164-CE EP-3124-CE EP-3264-CE EP-3368-BE EP-3468-BE	01.02.00	Sep 2019	<p>Following Emerson's acquisition of this product, changes have been made to apply appropriate branding and registration of the product with required certification agencies. No changes to material, process, form, fit or functionality.</p> <p>Firmware update for</p> <ul style="list-style-type: none"> • Brand labeling of GE Web Application to EMERSON • Changed the value range for the force mode of the webserver now low-level values for the range of underloading can be set • Fixed that the channel error LED stays off when lower or upper limits are exceeded • Reduced the crosstalk between the input channels • Removed toggling diagnosis between "Overload" and "Upper limit value exceeded", when an input channel is overloaded • Adjusted behaviour of module diagnoses. • Module diagnostics are always active (in case of an error the module status LED will be red). In case of an error the channel error LED will always be red on modules which are supporting single channel diagnostic, independent of the configuration for the diagnostic

Catalog Number	Firmware Version	Date	Comments
EP-3704-DD EP-3804-DD	01.00.11	Sep 2019	<ul style="list-style-type: none"> Following Emerson's acquisition of this product, changes have been made to apply appropriate branding and registration of the product with required certification agencies. No changes to material, process, form, fit or functionality. Brand labeling of GE Web Application to EMERSON.
EP-3164-BD EP-3124-BD EP-3264-BD EP-3368-AD EP-3468-AD	01.00.36	Sep 2018	Firmware update for addition of low pass filter 2Hz
EP-3704-CD EP-3804-CD	01.00.11	Sep 2018	Improved process alarm behaviour, if there is no more alarm, the flag will be reset
EP-3664-AA	01.03.05	Sep 2018	Initial Release. This is product revision and later is usable in Marine applications. Refer GFK-2958 for certification details.
EP-3124-BC EP-3164-BC EP-3264-BC EP-3704-CC EP-3804-CC	01.00.34	Apr 2018	These product revisions are updated to be usable in Marine application and pass marine certification tests. Refer GFK-2958 for certification details.
EP-3368-AC EP-3264-AC EP-3124-AC EP-3164-AC EP-3468-AC	01.00.34	Mar 2018	Standardization of the Signal Level for the Failure Information of Digital Transmitters
EP-3704-AC EP-3804-AC	01.00.10	Nov 2017	Linearization curve for CU10 sensors >200°C corrected
EP-3124 EP-3164 EP-3264 EP-3704 EP-3804	01.00	Dec 2015	Documentation update only
EP-3124 EP-3164 EP-3264 EP-3704 EP-3804	01.00	Nov 2015	Initial Release

Important Product Information for this Release

Updates

The RSTi-EP module EP-3704 and EP-3804 are now released with pre-loaded firmware 01.00.13. This product may be upgraded in the field using the Web firmware upgrade kit, which can be downloaded from <https://www.emerson.com/Industrial-Automation-Controls/support>.

Modules	Firmware Version	Upgrade Kit
EP-3704-DE, EP-3804-DE	01.00.13	EP-37xx_EP-38xx--0007616-01_00_13-7.bsm

Functional Compatibility

Refer to the Network Adaptor IPIs for this information.

Problems Resolved with this Release

N/A

New Features and Enhancements

N/A

Known Restrictions and Open Issues

N/A

Operational Notes

N/A

Product Documentation

RSTi-EP Slice I/O Module User Manual (GFK-2958)

RSTi-EP Slice I/O Functional Safety Module User Manual (GFK-2956)

General Contact Information

Home link: <http://www.emerson.com/industrial-automation-controls>
Knowledge Base: <https://www.emerson.com/industrial-automation-controls/support>

Technical Support

Americas

Phone: 1-888-565-4155
1-434-214-8532 (If toll-free option is unavailable)

Customer Care (Quotes/Orders>Returns): customercare.mas@emerson.com
Technical Support: support.mas@emerson.com

Europe

Phone: +800-4444-8001
+420-225-379-328 (If toll-free option is unavailable)
+39-0362-228-5555 (from Italy - if toll-free 800 option is unavailable or dialing from a mobile telephone)

Customer Care (Quotes/Orders>Returns): customercare.emea.mas@emerson.com
Technical Support: support.mas.emea@emerson.com

Asia

Phone: +86-400-842-8599
+65-6955-9413 (All other Countries)

Customer Care (Quotes/Orders>Returns): customercare.cn.mas@emerson.com
Technical Support: support.mas.apac@emerson.com

Any escalation request should be sent to: mas.sfdcescalation@emerson.com

Note: If the product is purchased through an Authorized Channel Partner, please contact the seller directly for any support.

Emerson reserves the right to modify or improve the designs or specifications of the products mentioned in this manual at any time without notice. Emerson does not assume responsibility for the selection, use or maintenance of any product. Responsibility for proper selection, use and maintenance of any Emerson product remains solely with the purchaser.

© 2022 Emerson. All rights reserved.

Emerson Terms and Conditions of Sale are available upon request. The Emerson logo is a trademark and service mark of Emerson Electric Co. All other marks are the property of their respective owners.

