

PACSystems™ RX3i Hot Standby CPU Redundancy



Warnings and Caution Notes as Used in this Publication

WARNING

Warning notices are used in this publication to emphasize that hazardous voltages, currents, temperatures, or other conditions that could cause personal injury exist in this equipment or may be associated with its use.

In situations where inattention could cause either personal injury or damage to equipment, a Warning notice is used.

CAUTION

Caution notices are used where equipment might be damaged if care is not taken.

Note: Notes merely call attention to information that is especially significant to understanding and operating the equipment.

These instructions do not purport to cover all details or variations in equipment, nor to provide for every possible contingency to be met during installation, operation, and maintenance. The information is supplied for informational purposes only, and Emerson makes no warranty as to the accuracy of the information included herein. Changes, modifications, and/or improvements to equipment and specifications are made periodically and these changes may or may not be reflected herein. It is understood that Emerson may make changes, modifications, or improvements to the equipment referenced herein or to the document itself at any time. This document is intended for trained personnel familiar with the Emerson products referenced herein.

Emerson may have patents or pending patent applications covering subject matter in this document. The furnishing of this document does not provide any license whatsoever to any of these patents.

Emerson provides the following document and the information included therein as-is and without warranty of any kind, expressed or implied, including but not limited to any implied statutory warranty of merchantability or fitness for particular purpose.

Contents

Section 1: Introduction	1
1.1 Hot Standby CPU Redundancy	1
1.2 PACSystems HSB Redundancy Feature Summary	5
1.3 Online Programming	7
1.4 Online Repair and System Upgrade	7
1.5 Definitions	8
1.6 PROFINET Definitions	10
1.7 Revisions in this Manual	13
1.8 Documentation	14
1.8.1 RX3i Manuals	14
1.8.2 VersaMax Manuals	14
 Section 2: RX3i Hot Standby Redundancy Quick Start with PROFINET I/O	 15
 Section 3: RX3i Hot Standby Redundancy Quick Start with Ethernet I/O	 24
 Section 4: System Configuration	 31
4.1 Components of a Hot Standby Redundancy System	31
4.1.1 Core Systems	31
4.1.2 Redundant CPU Modules	32
4.1.3 Redundancy Memory Xchange Modules	34
4.1.4 Redundant I/O Systems	35
4.1.5 Local I/O	37
4.2 CPU Redundancy Using PROFINET I/O	37
4.2.1 Configuration Considerations	38
4.2.2 Configuration Overview	39
4.2.3 PROFINET Network Architectures	40

- 4.3 CPU Redundancy Using Ethernet NIU Remote I/O.....42
 - 4.3.1 Dual Controller, Single LAN Systems43
 - 4.3.2 Dual Controller, Dual LAN Systems44
- 4.4 Genius Hot Standby Operation.....45
 - 4.4.1 Genius Output Control.....46
 - 4.4.2 Basic CPU Redundancy Using Genius I/O46

Section 5: Configuration Requirements..... 51

- 5.1 Overview51
 - 5.1.1 Setting up a CPE400 or CPL410 for Redundancy52
 - 5.1.2 Setting up a CPE330 for Redundancy57
- 5.2 PROFINET I/O Configuration.....60
 - 5.2.1 Requirements60
 - 5.2.2 Restrictions61
 - 5.2.3 Generating the Hardware Configuration62
 - 5.2.4 Downloading PROFINET I/O Configuration to the HSB CPU Redundancy System69
 - 5.2.5 Adding or Modifying a PROFINET I/O Device without Stopping the Process.....71
- 5.3 Using the Redundancy Wizards.....82
 - 5.3.1 To configure a Hot Standby CPU Redundancy system using the wizards:.....82
 - 5.3.2 Synchronizing the Hardware Configurations83
- 5.4 Hardware Configuration Parameters84
 - 5.4.1 CPU Parameters84
 - 5.4.2 Scan Parameters84
 - 5.4.3 Redundancy Memory Xchange Module Parameters.....92
 - 5.4.4 Ethernet Interface Parameters93
 - 5.4.5 Rack Module Configuration Parameters95
 - 5.4.6 Genius Bus Configuration.....96
- 5.5 Adding Individual Variables to the Transfer Lists.....98
 - 5.5.1 Mapped Variables99
 - 5.5.2 Arrays.....99

- 5.5.3 Instance Data Structure Variables.....99
- 5.5.4 Using the Variable Transfer List Report.....100
- 5.6 Storing (Downloading) Hardware Configuration.....101
- 5.7 Run Mode Store102
 - 5.7.1 Dual RMS with Simultaneous Activation in Redundant Systems.....103
 - 5.7.2 Initial RMS Followed by Dual RMS104
 - 5.7.3 RMS Operational Errors105
 - 5.7.4 Behavior of EGD in a Dual RMS.....107
 - 5.7.5 Hardware Configuration and Logic Coupling.....107
- Section 6: Operation 108**
 - 6.1 Power-up of a Redundant CPU108
 - 6.1.1 Synchronizing the Time of Day Clocks.....109
 - 6.1.2 Validity of PROFINET I/O at Power-up.....110
 - 6.2 Synchronizing Redundant CPUs.....111
 - 6.2.1 Dual Synchronization.....112
 - 6.2.2 Resynchronization112
 - 6.2.3 Operation when a Redundancy Link is Removed112
 - 6.3 %S References for CPU Redundancy113
 - 6.3.1 Redundancy Status Presented as OPC UA Variables.....115
 - 6.4 Scan Synchronization116
 - 6.4.1 Synchronization of PROFINET I/O.....116
 - 6.5 Fail Wait Time117
 - 6.6 Data Transfer.....118
 - 6.6.1 Synchronization and Data Transfer Process.....118
 - 6.6.2 Estimating Data Transfer Time120
 - 6.6.3 Programming a Data Transfer from Backup Unit to Active Unit (SVC_REQs 27 & 28).....123
 - 6.6.4 Disabling Data Transfer Copy in Backup Unit (SVC_REQ 43) ...125
 - 6.6.5 Validating the Backup Unit (SVC_REQ 43).....127
 - 6.7 Switching Control to the Backup Unit.....128
 - 6.7.1 PROFINET I/O Switchovers129

- 6.7.2 Switching Times and Impact to Sweep Time129
- 6.7.3 Commanding a Role Switch from the Application Program
(SVC_REQ 26).....130
- 6.7.4 Implementing Preferred Master Using SVC_REQ 26131
- 6.8 STOP to RUN Mode Transition.....131
 - 6.8.1 Behavior with PROFINET I/O when No Healthy Redundancy
Links are Available132
 - 6.8.2 Validity of PROFINET I/O Immediately after a
Configuration Download.....133
- 6.9 RUN with Outputs Disabled Mode134
- 6.10 RUN to STOP Mode Transition.....135
 - 6.10.1Behavior with PROFINET I/O when no Healthy Redundancy
Links are Available135
- 6.11 Error Checking and Correction136
- 6.12 Timer and PID Functions137
- 6.13 Timed Contacts137
- 6.14 Multiple I/O Scan Sets137
- 6.15 Genius Bus Controller Switching138
- 6.16 Redundant IP Addresses139
 - 6.16.1Validation and Activation of Redundant IP Addresses140
 - 6.16.2Monitoring and Deactivation of Redundant IP Address140
 - 6.16.3Operation of Redundant IP Address if both Redundancy
Links Fail141
- 6.17 Ethernet Global Data in an HSB Redundancy System.....142
 - 6.17.1Ethernet Global Data Production.....142
 - 6.17.2Ethernet Global Data Consumption144

Section 7: Faults 145

- 7.1 Fault Response145
 - 7.1.1 Faults for PROFINET I/O146
- 7.2 Fault Actions147
 - 7.2.1 Configuration of Fault Actions147
 - 7.2.2 Configurable Fault Groups149
 - 7.2.3 Non-Configurable Fault Groups.....150

- 7.2.4 Fatal Faults on Both Units in the Same Sweep151
- 7.3 Controller Fault Table Messages for Redundancy151
 - 7.3.1 Redundancy Fault Group (138)151
 - 7.3.2 Other Fault Groups155
- 7.4 Redundancy Link Failures.....157
 - 7.4.1 Redundancy Memory Xchange Module Hardware Failure157
 - 7.4.2 Redundancy Link Communications Failures157
 - 7.4.3 When the Last Redundancy Link Fails.....158
 - 7.4.4 CPE400/CPL410 Redundant Link Recovery159
- 7.5 Online Repair and System Upgrade.....160
 - 7.5.1 Online Repair Recommendations.....160
 - 7.5.2 Hot Swapping of Modules (RX3i Systems Only).....161
 - 7.5.3 Hot Swapping Controllers (CRU320 to CPE330)162
 - 7.5.4 System CPU Upgrade163
 - 7.5.5 Online Repair of the Genius Bus.....163
 - 7.5.6 Repair of a Non-Synchronized Active Unit (NSAU) Split
Control System164

Appendix A RX3i Dual Genius Bus Overview 167

- A 1.1 Features.....167
- A 1.2 Templates.....167
- A 1.3 Available Templates.....169
- A 1.4 How to Choose a Template169

Appendix B RX3i Dual Bus Genius Functionality 170

**Appendix C Switching Control to the Backup Unit When
it has Better PROFINET Connectivity than the
Active Unit 171**

- C 1.1 Overview.....171
- C 1.2 Application Examples172

**Appendix D Redundant I/O Wiring Details And
Programming Strategies 176**

- D 1.1 Introduction176
- D 1.2 Redundant I/O Wiring Details176
- D 1.3 Dual Redundant Discrete Inputs With Dual Redundant
Field Device177
- D 1.4 Dual Redundant Discrete Inputs With Single Field Device178
- D 1.5 Dual Redundant Analogue Inputs With Dual Redundant
Field Device179
- D 1.6 Dual Redundant Analogue Inputs With Single Field Device180
- D 1.7 Dual Redundant Discrete Outputs with Single Field Device....181
- D 1.8 Dual Redundant Analogue Outputs With Single Field Device .182
- D 1.9 Dual Redundant Outputs With Single Field Device And
Input Feedback.....183
- D 1.10 Redundant Power Supply Wiring184
- D 1.11 Alternatives to Diodes184
- D 1.12 Redundant I/O Programming Strategies185
- D 1.13 Dual Redundant Discrete Inputs.....185
- D 1.14 Dual Redundant Analogue Inputs186
- D 1.15 Dual Redundant Outputs.....186
- D 1.16 Dual Redundant Outputs With Input Feedback186
- D 1.17 Glossary187

General Contact Information..... 188

Technical Support 188

Section 1: Introduction

This manual is a reference to the hardware components, configuration, programming and operation of Hot Standby CPU redundancy for the PACSystems RX3i. The information in this manual is intended to supplement the system installation, programming, and configuration information contained in the manuals listed under Related Documents.

1.1 Hot Standby CPU Redundancy

Hot Standby CPU Redundancy allows a critical application or process to continue operating should a failure occur in any single component. A Hot Standby system uses two CPUs: an Active unit that actively controls the process, and a Backup unit that is synchronized with the Active unit and can take over the process if it becomes necessary. The two units are synchronized when both are in Run Mode: the Backup unit will have received the latest status and synchronization information from the Active unit via a redundancy link, and each is running its logic solution in parallel.

There are two distinctly different set-ups for Redundancy:

Traditional rack-mounted RX3i CPU systems (including CPE330), which require that Redundancy Memory Xchange (RMX) modules be installed in each CPU rack. The redundancy communication path is provided by a pair of RMX modules, one in the rack of the Active (Primary) CPU, one in the rack of the Backup (Secondary) CPU. A second pair of RMX modules may be used to create a redundant communication link. Refer to Figure 1 for a traditional system, and to Figure 2 for a CPE330 system.

CPE400 and CPL410 do not use RMX modules. Rather, they use their own built-in LAN3 ports to support the required redundancy communications links between Primary and Secondary. LAN3 is a dedicated, secure, point-to-point Ethernet link which does not support any additional equipment. Only a pair of CPE400 CPUs may be interconnected on LAN3, as shown in Figure 3. Similarly, only a pair of CPL410 CPUs may be interconnected if using CPL410.

Note: In redundancy systems, we strongly recommend using a second communications link, as shown in Figure 1 thru Figure 3. In Figure 1 and Figure 2, two pairs of RMX modules configured as dual redundancy links are used. In Figure 3 each CPU is connected to the other via both ports on LAN3. This practice eliminates the possibility of a single point of failure that using only one communication link presents.

Control automatically switches to the Backup unit when a failure is detected in the Active unit. The user can initiate a switch of control by activating a toggle switch on the RMX module or by activating a service request in the application program. When a user-initiated switch of control occurs, the CPUs switch roles; the Active unit becomes the Backup unit and the Backup unit becomes the Active unit.

The system runs synchronously with a transfer of all control data that defines machine status and any internal data needed to keep the two CPUs operating in sync. Critical control data plus all redundant outputs must be included in the output data transfer. The transfer of data from the Active unit to the Backup unit occurs twice per sweep, once before the logic is solved and once after the logic is solved. These CPU-to-CPU transfers are checked for data integrity.

The Primary and Secondary CPUs in a redundancy system must be in the same Controller family. An RX3i Controller cannot function as a redundant pair. Similarly, CPE400 must be paired with CPE400, CPL410 with CPL410, and CPE330 with CPE330¹.

The following versions of CPU firmware are required to support Redundancy:

Table 1: Support

CPU Type	Minimum Firmware Version Required	PACPAC Machine Edition Support
CPL410	Any	Release 9.50 SIM 10
CPE400	Release 9.30 Build E8JL	Release 9.50 SIM 5
CPE330	Release 8.70 Build E5KG	Release 8.60 SIM 8

¹ Exception: A CPE330 replacing a CRU320 in a redundant system may be paired with a CRU320. This should be considered a temporary arrangement. See notes in Section 6.2.1 and Section 6.8.1.

Figure 1: Rack-Mounted CPU with RMX Redundancy Communications Links

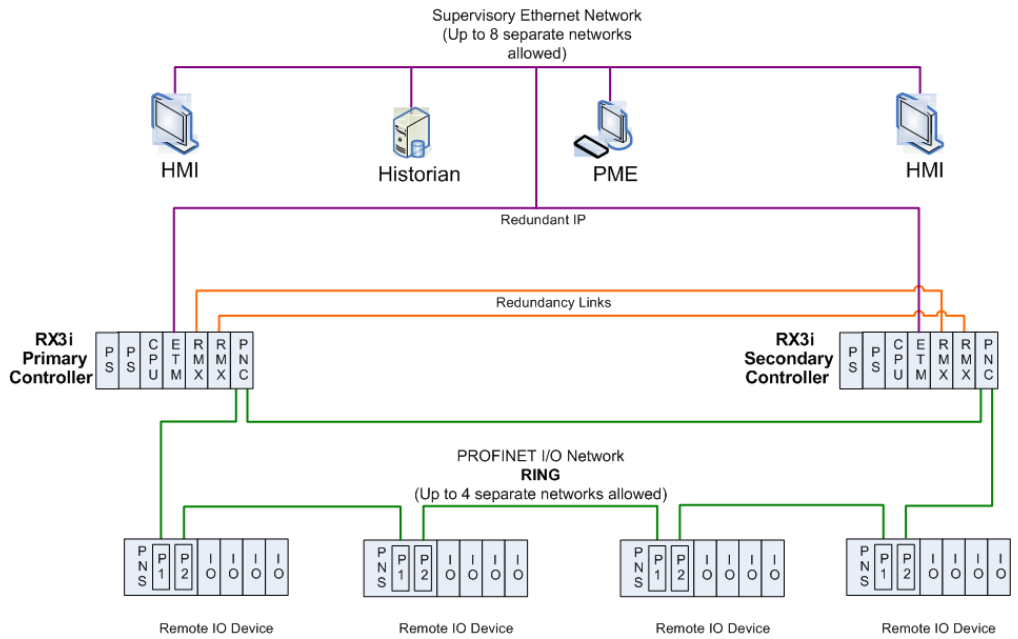


Figure 2: CPE330 Redundancy (Uses RXM modules for Redundancy Communications Link)

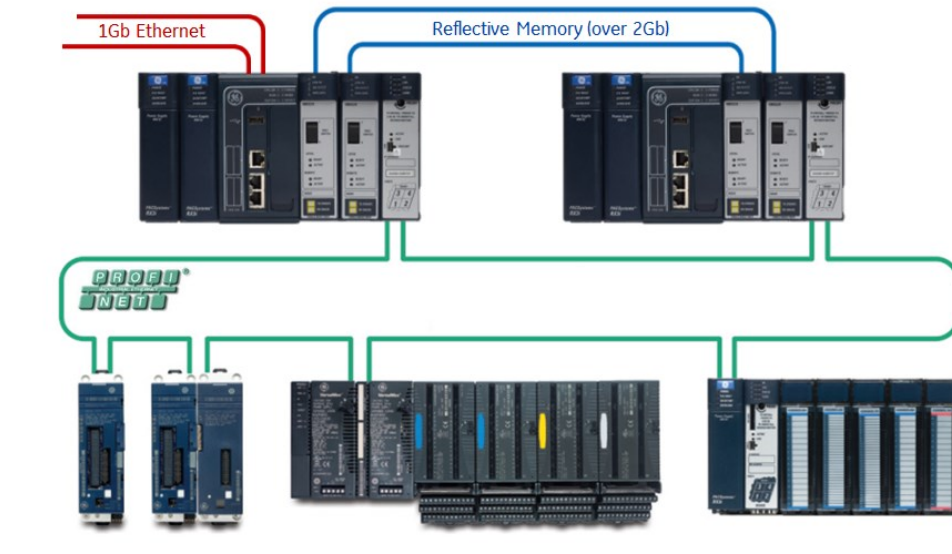
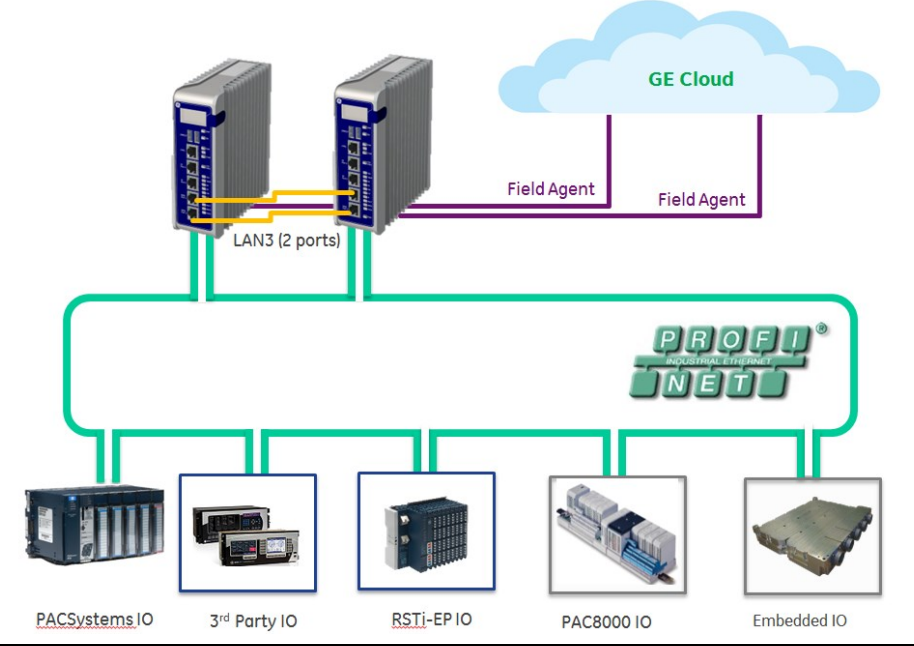


Figure 3: CPE400 Redundancy (Uses LAN3 Ports for Redundancy Communications Link)



1.2 PACSystems HSB Redundancy Feature Summary

Feature	RX3i Redundancy System	CPE330 Redundancy System	CPE400 or CPL410 Redundancy System
Redundant CPU	IC695CRU320	IC695CPE330	IC695CPE400 or IC695CPL410
Redundancy links	Two IC695RMX128 or IC695RMX228 modules per link Two links (four RMX modules) recommended per system	Two IC695RMX128 or IC695RMX228 modules per link Two links (four RMX modules) recommended per system ²	LAN3 RDN (Uses two lower ports on faceplate) Two links recommended per system
Redundancy I/O systems supported	PROFINET I/O using single ring and star network topologies Single and redundant Ethernet remote I/O LANs through ENIU Single Bus and Dual Bus Genius networks	PROFINET I/O using single ring and star network topologies Single and redundant Ethernet remote I/O LANs through ENIU Single Bus and Dual Bus Genius networks	PROFINET I/O using single ring and star network topologies FUTURE: Single and redundant Ethernet remote I/O LANs through ENIU
Expansion and remote racks	Supported	Supported	Not Supported
Failure recovery	Survives any one single point of failure (excluding failures of Genius devices and bus stubs) Online repair of failed component	Survives any one single point of failure (excluding failures of Genius devices and bus stubs) Online repair of failed component	Survives any one single point of failure Online repair of failed component
Role switching	Manual toggle switch for switching control between Active and Backup units Application-initiated role switching	Manual toggle switch for switching control between active and backup units Application-initiated role switching	OLED Display command for switching control between active and backup units Application-initiated role switching

² While two links are recommended in a CPE330 Redundancy System, as of PME Release 9.5 SIM14 and firmware 9.75, the system can be configured with only one link.

Feature	RX3i Redundancy System	CPE330 Redundancy System	CPE400 or CPL410 Redundancy System
Bumpless switching from Active unit to Backup unit	Synchronized CPUs One-scan switching Configurable transfer data size up to 2Mbytes	Synchronized CPUs One-scan switching Configurable transfer data size up to 2Mbytes	Synchronized CPUs One-scan switching Configurable transfer data size up to 2Mbytes
Redundancy status monitoring	RMX128/RMX228 module has five redundancy status LEDs (Link OK, Local Ready, Local Active, Remote Ready, Remote Active) Redundancy status bits and message logging	RMX128/RMX228 module has five redundancy status LEDs (Link OK, Local Ready, Local Active, Remote Ready, Remote Active) Redundancy status bits and message logging	OLED Display provides redundancy state. CPE400 & CPL410 also include two redundancy status LEDs: RACT (Local Unit Ready & Active), and RBOK (Remote Unit Ready) Redundancy status bits and message logging
Online programming	Supported	Supported	Supported
Diagnostics	Background diagnostics Memory error checking and correction (ECC) with single bit corrections and multiple bit checking	Background diagnostics Memory error checking and correction (ECC) with single bit corrections and multiple bit checking	Background diagnostics Memory error checking and correction (ECC) with single bit corrections and multiple bit checking
Maximum fiber-optic cable distance supported between two devices used in redundancy link	RMX128: 1000 ft (304.8m) RMX228: 6.2 mi (10 km)	RMX128: 1000 ft (304.8m) RMX228: 6.2 mi (10 km)	100 meters (328 ft).

1.3 Online Programming

On-line changes to the application program are permitted in both the Active unit and the Backup unit. The programming device must be connected to the unit in which changes are to be made in order to make any on-line changes.

PACSystems releases 5.5 and later supports *Run Mode Store* (RMS) of the redundancy Transfer List. This capability allows you to add, delete or modify Transfer List entries without stopping the controllers.

Run Mode Store is performed independently on each controller. However, in a synchronized system, the optional *Dual RMS with Simultaneous Activation* feature can be used to defer activation of the newly stored application data until an RMS has been performed on both units. Because the controller sweeps are synchronized, both units will activate the new logic and transfer lists on the same sweep. For additional information about the use of this feature, refer to Section 5.7, *Run Mode Store*.

1.4 Online Repair and System Upgrade

A Hot Standby CPU Redundancy system permits online repair of failed components without disrupting the control application. A failed component can be replaced in either unit after first removing power from the defective CPU system.

After replacing the component, returning power to the CPU system, and placing the CPU in Run mode, the repaired unit synchronizes with the currently Active unit. Upon successful synchronization, the repaired unit becomes the Backup unit.

1.5 Definitions

Active Unit	The unit that is currently controlling the process.
Backup Unit	The unit that is synchronized with the Active unit and able to take over the process.
CPU Redundancy	A system with two controller CPU units cooperating to control the same process.
Critical Component	Components that acquire or distribute I/O data or that are involved in execution of the control logic solution.
Critical Network Port	An Ethernet port connection on the PROFINET I/O Controller that is configured as a critical port. When the last Critical Network Port is disconnected from its network, a diagnostic fault is logged. In a redundancy system where the PROFINET I/O Controller is controlling redundant devices, this results in a CPU redundancy role switch with the CPU placed into Stop/Fault mode.
EGD	Ethernet Global Data.
ENIU	Ethernet Network Interface Unit Note that an Ethernet redundancy system (single and redundant Ethernet remote I/O) may be implemented using one of the many ENIU Machine Edition templates that are available. The template matches the physical Ethernet configuration and I/O points involved. An application program is loaded into the CPU to perform the redundancy functionality.
GBC	Genius Bus Controller: An interface module that is located in a CPU system and controls communications on a Genius Bus.
Genius Dual Bus	The use of two Genius busses to control the same I/O devices. The busses are linked to the I/O devices by one or more Bus Switching Modules (BSMs). A BSM will automatically switch to the other bus if the active bus has a failure.
Genius Hot Standby	A feature of Genius devices whereby the device prefers output data from the bus controller at SBA 31. When outputs from that bus controller are not available, the device takes output data from the bus controller at SBA 30. If outputs from neither controller are available, the device places its outputs in the designated default state.
GNIU	Genius Network Interface Unit
Hot Standby	A system where the Backup (Hot Standby) unit is designated before any critical component failure takes place, and all necessary state/control information is passed from the Primary to this designated Backup unit so that it can take control quickly in the event of a critical component failure.
Non-Synchronized Active Unit (NSAU)	A CPU in a Redundancy System that is in Run mode but not synchronized with a Backup unit. The Backup unit is either offline (in Stop mode, powered off, or failed), or there are no functional redundancy links between the two CPUs.
OPC UA	OPC Unified Architecture (OPC UA) is a machine to machine communication protocol for industrial automation developed by the OPC Foundation.

Primary CPU	The preferred unit to control the process in a Redundancy System. For redundant Genius I/O, the Genius Bus Controllers installed in the Primary CPU are configured for serial bus address (SBA) 31.
Redundancy	The use of multiple elements controlling the same process to provide alternate functional channels in case of failure.
Redundancy Link	A complete communications path between the two CPUs for the purpose of exchanging Redundancy data. CPE400 and CPL410 provide this link via a pair of dedicated Ethernet ports (LAN3). For rack-mounted CPUs, the link consists of one RMX in the Primary CPU rack and one RMX in the Secondary CPU rack. The RMX units communicate via an interconnecting high-speed fiber-optic cable.
Redundant IP Address	An IP address that is assigned to the pair of Ethernet interfaces in the Primary and Secondary CPU systems. All data sent to the redundant IP address (including EGD produced to the redundant IP address) is handled by the Active unit.
Role Switch	User-initiated switch of control, where the Active unit becomes the Backup unit and the Backup unit becomes the Active unit.
SBA	Genius Serial Bus Address: a unique address (0-31) assigned to any device on the Genius Bus.
Secondary CPU	The unit configured to control the process in a Redundancy System when the Primary CPU is unavailable or otherwise marked as not controlling the process. For redundant Genius I/O, the Genius Bus Controllers installed in the Secondary CPU are configured for SBA 30.
Synchronized	Condition where both units are in Run Mode and the Backup unit has received the latest status and synchronization information from the Active unit via a redundancy link. When the two units are synchronized, they run their logic solution in parallel. If the Active unit goes offline, control of the redundancy outputs is switched in a bumpless fashion (without interruption) to the Backup unit.
Transfer List	The ranges of references that will be transferred from the Active unit to the Backup unit. The transfer list is selected in the hardware configuration for the Redundant CPU.

1.6 PROFINET Definitions

AR	<u>A</u> pplication <u>R</u> elationship. PROFINET term for a relationship that is established between an IO-Controller/Supervisor and IO-Device. For any data to be exchanged between an IO-Controller/Supervisor and a given IO-Device, an Application Relationship must be established. Within the Application Relationship, various Communication Relationships (CRs) are then established for the different types of data to be exchanged.
Broadcast	In Ethernet, the transmission of a network message to all hosts on the network.
CLI	<u>C</u> ommand <u>L</u> ine <u>I</u> nterface
CPU Node	In a PACSystems RX3i PROFINET network, a CPU Node is a node in which a PACSystems RX3i CPU is connected to the PROFINET network.
CR	<u>C</u> ommunication <u>R</u> elationship. PROFINET term for a channel that is established within an Application Relationship (AR) to transfer specific data between an IO-Controller/Supervisor and a given IO-Device. Multiple CRs are established within an AR to transfer data.
Critical Network Port	An Ethernet port connection on the PROFINET I/O Controller that is configured as a critical port. When the last Critical Network Port is disconnected from its network, a diagnostic fault is logged. In a redundancy system where the PROFINET I/O Controller is controlling redundant devices, this results in a CPU redundancy role-switch with the CPU placed into Stop/Fault mode.
DAP	<u>D</u> evice <u>A</u> ccess <u>P</u> oint. This access point is used to address an IO-Device as an entity.
DEVICE	<u>I</u> n PROFINET IO, the term Device refers to a PROFINET IO Device (IOD).
Gratuitous ARPs	An Address Resolution Protocol (ARP) request sent by the host to resolve its own IP Address.
GSDML	<u>G</u> eneral <u>S</u> tation <u>D</u> escription <u>M</u> arkup <u>L</u> anguage - definition of PROFINET Device Characteristics.
IOC	PROFINET IO-Controller
IOD	PROFINET IO-Device
IOCR	<u>I</u> nput <u>O</u> utput <u>C</u> ommunication <u>R</u> elationship – describes the type (input/output) and amount of I/O data to be transferred, the sequence of the transfers and the transfer cycle between a PROFINET IO-Controller (or IO-Supervisor) and a PROFINET IO-Device.
IOCS	PROFINET <u>I</u> nput/ <u>O</u> utput <u>C</u> onsumer <u>S</u> tatus is transmitted on the PROFINET network to provide feedback on Input Data for an IO controller and Output Data for an IO device.
IOPS	PROFINET <u>I</u> nput/ <u>O</u> utput <u>P</u> rovider <u>S</u> tatus is transmitted on the PROFINET network to provide feedback on Output Data for an IO controller and the Input Data for an IO device.
IOxS	PROFINET abbreviation for the IOCS and/or IOPS (see above).
LLDP	<u>L</u> ink <u>L</u> ayer <u>D</u> iscovery <u>P</u> rotocol. IEEE standardized protocol used by network devices to advertise their identity and capabilities.
LLDPDU	<u>L</u> ink <u>L</u> ayer <u>D</u> iscovery <u>P</u> rotocol <u>D</u> ata <u>U</u> nit.

MAC	<u>M</u> edia <u>A</u> ccess <u>C</u> ontrol address (MAC address)
MAU	<u>M</u> edium <u>A</u> ttachment <u>U</u> nit
MIB	<u>M</u> anagement <u>I</u> nformation <u>B</u> asis
MRC	<u>M</u> edia <u>R</u> edundancy <u>C</u> lient. Within Media Redundancy Protocol, an MRC is responsible for helping the MRM detect breaks/no breaks in the ring.
MRM	<u>M</u> edia <u>R</u> edundancy <u>M</u> anager. Within Media Redundancy Protocol, an MRM is responsible for ensuring that the ring does not have a closed loop, while simultaneously ensuring maximal connectivity between nodes on the ring. There must be exactly one MRM in the Ring network.
MRP	<u>M</u> edia <u>R</u> edundancy <u>P</u> rotocol. An Ethernet protocol that provides redundant paths for PROFINET-IO cyclic traffic by supporting a ring topology.
Multicast	In Ethernet, the transmission of a network message to all hosts within a host group.
NOS	<u>N</u> ame <u>o</u> f <u>S</u> tation
OID	<u>O</u> bject <u>I</u> dentifier
Phase	If the IOCR Update Period is greater than the Send Clock time, the Update Period is divided into multiple phases where each phase is equal to one Send Clock.
PHY	PHY is an abbreviation for the physical layer of the OSI model and refers to the circuitry required to implement physical layer functions. A PHY connects a link layer device (often called MAC as an abbreviation for medium access control) to a physical medium such as an optical fiber or copper cable.
PNC	<u>P</u> ROFINET <u>C</u> ontroller: Typically, the generic PROFINET Controller function. PNC001 represents a slot-mounted product (IC695PNC001). Embedded PROFINET Controllers may be configured on LAN2 for CPL410, CPE400, CPE330 and CPE100. Both embedded and slot-mounted perform the same functions on the PROFINET network, but there are differences to be noted in installation, configuration, operation and performance.
PNS	<u>P</u> ROFINET <u>S</u> canner. Head-end module that controls I/O in rack and communicates with PROFINET network. Both RX3i (IC695PNS001) and VersaMax (IC200PNS001, IC200PNS002) modules are discussed in this manual. IC695PNS101 is similar to IC695PNS001, but is normally restricted to RX3i Sequence of Events applications. IC695CEP001 performs a similar function to IC695PNS001, but without use of RX3i I/O racks. Refer to documentation for IC695PNS101 and IC695CEP001.
PNSR	<u>P</u> ROFINET <u>S</u> ystem <u>R</u> edundancy. PNSR is the combination of PROFINET processes and mechanisms by which an IO-Device is controlled by multiple IOCs in redundant PLCs.
Primary AR	In PROFINET System Redundancy, the AR to a Redundant Device that currently provides IO Data Transfer and control.
RDHT	<u>R</u> edundancy <u>D</u> ata <u>H</u> old <u>T</u> ime: The maximum time that the IO Device waits for a Controller to take control of the AR connection during an IO switchover.
RDO	<u>R</u> ecord <u>D</u> ata <u>O</u> bject. Services used to read and write structured data stored in a PROFINET IO-Device.

Reduction Ratio	Along with Send Clock determines the Update Period for a PROFINET cyclic data transfer between two devices (see IOCR). The Update Period equals the Reduction Ratio multiplied by the Send Clock time. For example, if the Reduction Ratio is 4 and the Send Clock is 1ms, the Update Period is 4ms.
Remote Node	For an RX3i PROFINET network, a Remote Node is any PROFINET IO-Device, such as a rack of I/O modules with a Remote Scanner or a third party PROFINET IO-Device.
RIV	R eference I D V ariables
RTA	R ea T - T ime A cy C yclic. A PROFINET-IO Mechanism used to exchange non-periodic data such as alarms.
RTC	R ea T - T ime C yclic. A PROFINET-IO Mechanism used to exchange input and output data.
Send Clock	Value between 1 and 128 inclusive in units of 31.25 μs (equivalent to a range of 31.25 μs to 4 ms) used to calculate the Update Period for a PROFINET cyclic data transfer between two devices (see IOCR). The Send Clock is the basis for all other scheduling parameters.
Send Offset	The time to delay a scheduled PROFINET cyclic data transfer frame. Measured in nanoseconds from 0 to 3,999,999. Must be less than the Send Clock time.
SFP	S mall F orm-factor P luggable. Pluggable, hot-swappable transceivers.
SNMP	S imple N etwork M anagement P rotocol. UDP-based network protocol that facilitates the exchange of management information between network devices.
Status Bits	Module status data in RX3i CPU reference memory.
Submodule	PROFINET-IO representation of the smallest configurable entity of a PROFINET Module.
SVC_REQ	S ervice R eq U est Function Block. A control system service initiated by the RX3i CPU.
TLV	T ype- L ength- V alue
Unicast	In Ethernet, the transmission of a network message to an individual host.
Update Period	The time between PROFINET cyclic data transfers between an IO-Controller and an IO-Device.
WinLoader	A software utility used to download and install firmware upgrades.

1.7 Revisions in this Manual

Rev	Date	Description
Y	Jan 2023	Updated Formatting
W	May 2021	Updates regarding the number of supported PROFINET devices for the CPL410
V	Jan 2021	Added Section OPC UA
U	June 2020	<ul style="list-style-type: none"> • Correction made to catalog number of supported RSTI-EP PROFINET Scanner in Table 2 • Updated cover page image of RX3i rack • The source IP address used to produce EGD in a system using a redundant IP address is now configurable
T	Mar 2020	Added section Redundant I/O Wiring Details And Programming Strategies as Appendix D
R	Aug-2019	<ul style="list-style-type: none"> • Updates related to RX3i Firmware Release 9.90 • Addition of ETM-Kxxx
Q	Mar-2019	Updates related to RX3i Firmware Release 9.40
P	Jul-2018	Dual RMX configuration is no longer required for the CPE330 with PME SIM14 or later and firmware 9.75 or later. This also applies to the CPE330 when it is in CRU320 compatibility mode
N	Jul-2018	<ul style="list-style-type: none"> • Addition of IC695CPL410 (new CPU) • Addition of IC695PNS101 (PROFINET Scanner for RX3i Sequence of Events)
M	Mar-2018	Updates related to RX3i Firmware Release 9.40
L	Oct-2017	<ul style="list-style-type: none"> • Added information related to CPE330 and CPE400 CPUs • Documentation of CPE400 LAN3 usage as dedicated Redundancy Link • Step-by-step instructions modified for rack-less systems (CPE400) vs rack-mounted systems (all others)
K	Jan-2015	Added/modified information to include PNC critical network port feature.

1.8 Documentation

1.8.1 RX3i Manuals

PACSystems RX3i System Manual	GFK-2314
PACSystems RX3i Max-On Hot Standby Redundancy User's Manual	GFK-2409
PACSystems RX3i PROFINET Scanner Manual	GFK-2737
PACSystems RX3i CEP PROFINET Scanner User Manual	GFK-2883
PACSystems RX3i Genius Communications Gateway User Manual	GFK-2892
PACSystems RX3i IC695CPE400 1.2GHz 64MB Rackless CPU w/Field Agent Quick Start Guide	GFK-3002
PACSystems RX3i IC695CPL410 1.2GHz 64MB Rackless CPU w/Linux Quick Start Guide	GFK-3053

1.8.2 VersaMax Manuals

VersaMax PROFINET Scanner Manual	GFK-2721
----------------------------------	----------

In addition to these manuals, datasheets and product update documents describe individual modules and product revisions. The most recent PACSystems documentation is available on the support website provided at the link at the end of this document.

Section 2: RX3i Hot Standby Redundancy Quick Start with PROFINET I/O

This chapter provides the steps needed to set up and configure a basic RX3i Hot Standby CPU Redundancy system that uses PROFINET I/O.

The following table shows which PROFINET Scanners/Devices support PACSystems Hot Standby CPU Redundancy.

Table 2: PROFINET Scanners/Devices that Support PACSystems Hot Standby CPU Redundancy

PROFINET Scanner/Device	Catalog Number	Simplex Controllers	RX3i Hot Standby CPU Redundancy
RX3i CEP Carrier	IC695CEP001	X	X
RX3i Genius® Communications Gateway	IC695GCG001	X ³	X ³
PAC8000 PROFINET Scanner (PNS) Module	8515-BI-PN 8516-BI-PN	X	X ⁴
RSTi PROFINET Network Adaptor	STXPNS001	X	
RSTi-EP PROFINET Scanner	EPXPNS101	X	X
RX3i PROFINET Scanner (PNS) Module	IC695PNS001	X	X
RX3i PROFINET Scanner (PNS) Module for RX3i Sequence of Events	IC695PNS101	X	X
VersaMax PROFINET Scanner (PNS) Module	IC200PNS001 IC200PNS002	X	X
VersaMax IP PROFINET Scanner Module	IC677PNS001	X	
VersaPoint PROFINET Scanner	IC220PNS001 IC220PNS002	X	

³ Effective with firmware version 2.2.3.0, the Genius Communication Gateway supports Genius Dual Bus.

⁴ PAC8000 PROFINET Scanner v2.01 or later supports Hot Standby.

System Design by Controller Selection The basic CPU system varies according to CPU type:

Traditional Rack-Mounted Systems (Figure 1)

install one Redundant CPU, one Ethernet module⁵, two RMX modules, one PROFINET I/O Controller module, and two Multifunctional 40W Power Supply modules into each RX3i rack. The Ethernet modules will be used to connect the programmer to the controllers. Continue through this chapter for instructions on how to set up such a system.

CPE330 system (Figure 2)

The Ethernet functions may be performed by configuring the CPE330 to use its embedded Ethernet features. The Power Supply, PROFINET I/O Controller and RMX modules are required. Refer to the *CPE330 Quick Start Guide*, GFK-2941E or later for Hot Standby Redundancy set up. Additional details are provided below.

CPE400 system (Figure 3) (Non-Rack-Mounted)

An independent external Power Supply is provided for each CPE400. To eliminate a possible single point of failure, the two power supplies should be on different circuits. RMX modules are not employed. The Redundancy Communications Link is accomplished by interconnecting the LAN3/RDN (RJ-45) ports. Connect the upper of these two ports in the Primary to the corresponding upper port in the Secondary. Connect the lower of these two ports in the Primary to the corresponding lower port in the Secondary. Note that no intervening network equipment is allowed on LAN3. Refer to the *PACSystems RX3i IC695CPE400 1.2GHz 64MB Rackless CPU w/Field Agent Quick Start Guide*, GFK-3002A or later for Hot Standby Redundancy set up. Additional details are provided below.

CPL410 system (Same as Figure 3)

Similar to CPE400, the same configuration and rules apply as in a CPE400 system. Refer to the *PACSystems RX3i IC695CPL410 1.2GHz 64MB Rackless CPU w/Linux Quick Start Guide*, GFK-3053 or later for Hot Standby Redundancy set up.

⁵ For details on the Ethernet module refer to the *PACSystems RX3i and RSTi-EP TCP/IP Ethernet Communications for PACSystems User's Manual*, GFK-2224.

System Design Regardless of Controller Selection

In all cases, one controller is designated the Primary, and the other is designated the Secondary.

In all cases, PROFINET is deployed using ring topology and consists of a pair of PROFINET Controllers (PNCs), one in each CPU system, and at least one PROFINET Scanner (PNS) module. The PNC itself is embedded in some cases and rack-mounted in other cases.

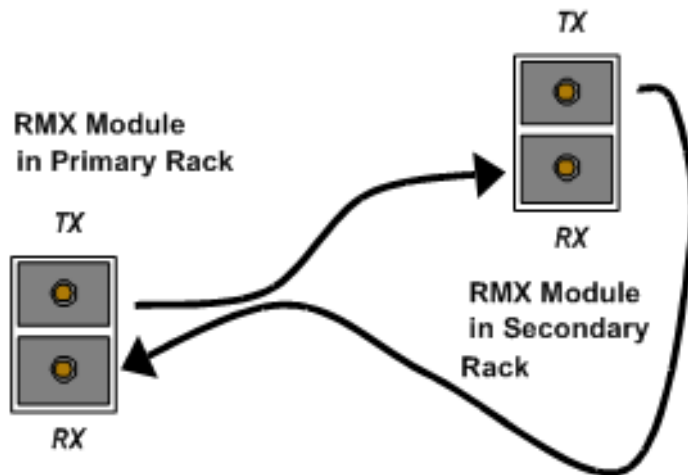
RMX Modules

Where RMX modules are employed, use fiber-optic cables to connect each RMX module in the Primary Rack to the corresponding RMX module in the Secondary Rack.

Using an LC-compatible fiber-optic cable, connect the TX connector on one RMX module to the RX connector of the other RMX module and vice-versa (refer to Figure 4).

When power is applied, the RMX module performs an internal loopback test; during this test, the RMX indicators OWN DATA and SIGNAL DETECT turn on briefly. Once the RMX module is functioning normally, its OK indicator is on.

Figure 4: Fiber Optic Cable Connections for RMX module



Note: Ensure that the cable type matches the module type, such that, single-mode cable is used for single mode modules and multimode cable is used for multimode modules.

1. (Applies to CRU320 only.) With the CPU battery disconnected, apply power to both controller racks.

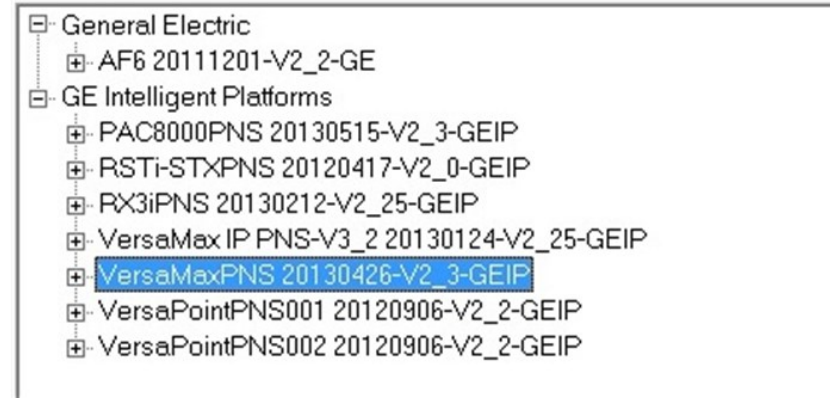
Each redundant CPU has Error Checking and Correcting (ECC) memory. For CRU320, this must be initialized by applying power to the CPU with the battery disconnected at least once. For CPL410, CPE400 and CPE330, ECC is always enabled and requires no special initialization process.
2. (Applies to CRU320 only.) Connect a battery to each redundant CPU.

Because the ECC memory was initialized during step 1, the CPU can now be power cycled with the battery connected.
3. Connect the PC that will be used to configure/program the controllers to the Ethernet network.
4. Connect the PNCs and the PROFINET device(s) to a daisy chain line network similar to the examples shown in Figure 1 through Figure 3, but do not form a complete ring yet. Leave exactly one of the PROFINET network cables disconnected until the Primary PNC has configuration data that tells it to act as the Media Redundancy Manager (step 9).
5. Create the Hardware Configuration (HWC).
 - a. Open PAC Machine Edition (PME), and create a target for an RX3i controller.
 - b. Select the Hardware Configuration node and expand.
 - c. Replace the default CPU with whatever CPU is appropriate for your application (CRU320, CPE330, CPE400 or CPL410, for example). If the CPU is a CRU320, PME will automatically set the Dual HWC property for the target to True and creates a 'Hardware Configuration [Secondary]' node. For other CPUs it is necessary to set the Enable Redundancy property to True. This will automatically add the Dual HWC property and set it True.
 - d. Rack Node 0 (For rack-mounted systems only)
 - i. Find the Rack 0 node under the 'Hardware Configuration [Primary]' node.

If this rack is not the correct size, right-click on it and select Replace Rack.

- ii. Expand the Rack 0 node that is under the 'Hardware Configuration [Primary]' node. Move the redundant CPU to the correct slot within Rack 0.
 - iii. Add two RMX modules to this Rack 0.
- e. Add a PNC to this CPU system. This can either be a physical PNC module located in Rack 0, or (in the case of CPE330, CPE400 or CPL410) one of the CPU's Ethernet ports configured as an embedded PNC. PME automatically creates a new LAN named LAN01 and attaches the PNC to that LAN. Set the proper subnet mask and range of IP addresses for this LAN. Set the Network Transit Time parameter to 50 (= 5.0 ms, which is recommended for MRP ring operation).
- f. Configure the PNC module (or embedded PNC):
 - i. Assign a unique name and IP address for this PNC.
 - ii. Set this PNC's Media Redundancy parameter to *Manager*.
 - iii. In order to fail-over to the Backup PLC if both PNC MRP ports are disconnected, set the ports used for MRP to *Network Port # Critical = True* (the 2nd MRP port will auto-select when the first MRP port is selected).
- g. If you have not already assigned a network name to each of your PROFINET devices, do so now. You can do this by right-clicking on a PNC and selecting Launch Discovery Tool. For more information, refer to the *PACSystems RX3i PROFINET IO Controller Manual, GFK-2571, Chapter 3, Configuration - Assigning IO-Device Names*.
- h. Add each of your PROFINET Scanner (PNS) devices to the HWC by doing the following for each device:
 - i. Right-click on the PNC in the 'Hardware Configuration [Primary]' HWC and select Add IO-Device.
 - ii. Select the desired device from the Device Catalog.

Figure 5: Select Device from the PMC Catalog



Be sure to select a PNS node that has V2_3 in its name. (A GSDML file of version 2.3 or higher is required in order to configure the device to be redundantly controlled.)

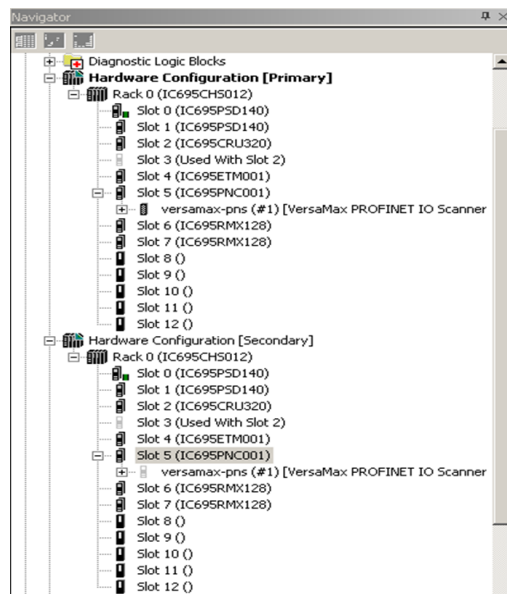
- iii. Because the device supports controller redundancy, PME will automatically set the device's Redundancy Mode parameter to HSB CPU Redundancy.
- iv. PME will assign a default name to the device. Be sure to change the device's name to match the name you assigned to it during step 7.
- v. Add all appropriate I/O carriers (VersaMax only) and I/O modules to the device's configuration and set all of the configuration parameters to appropriate values. For more information about configuring the PNS, refer to the associated user manual:
 - VersaMax PROFINET Scanner Manual, GFK-2721A
 - RX3i PROFINET Scanner Manual, GFK-2737
 - CEP PROFINET Scanner Manual, GFK-2883

Note: As you assign reference addresses to your redundantly controlled devices, PME will automatically expand the Primary CPU's input transfer list to include all redundantly controlled PROFINET inputs. PME will also automatically expand the Primary CPU's output transfer list to include all redundantly controlled PROFINET outputs.

- i. For rack-mounted systems only: Add, replace, and/or move additional RX3i rack modules to the 'Hardware Configuration [Primary]' HWC as needed. Examples of these modules include power supplies and Ethernet modules. For each Ethernet module, assign a unique IP address. For CPUs that have no rack-mounted hardware, make all similar adjustments before proceeding to the next step.
- j. Now that you have finished populating the Hardware Configuration of the Primary CPU, right-click on the 'Hardware Configuration [Primary]' node, select Redundancy, and select Mirror to Secondary Hardware Configuration.

This operation will copy the 'Hardware Configuration [Primary]' (including the transfer lists, the PNC, and the redundantly controlled PROFINET devices) to the 'Hardware Configuration [Secondary]' HWC. The result should look similar to Figure 6. (In this diagram, only one PNS is shown.)

Figure 6: RX3i Hot Standby Redundancy Quick Start with PROFINET I/O



- k. Select the PNC underneath the 'Hardware Configuration [Secondary]' HWC.
 - i. Assign a unique name and IP address to this PNC.

- ii. Set this PNC's Media Redundancy parameter to *Client*.
 - iii. In order to fail-over to the Backup PLC if both PNC MRP ports are disconnected, set the ports used for MRP to *Network Port # Critical = True* (the 2nd MRP port will auto-select when the first MRP port is selected).
 - I. For each Ethernet module in the Secondary Hardware Configuration, assign a unique IP address.
6. Add logic to the target.

Note: This is the sequence for downloading configurations into a new redundancy system. Both units are initially stopped with no configuration.

7. Download the Hardware Configuration and Logic to the Primary controller.
 - a. Right-click on the 'Hardware Configuration [Primary]' node and select Set as Selected HWC. (If this menu item is greyed out, then you already have the Primary HWC selected.)
 - b. Click on the target node in PME's Navigator. In the Property Inspector, set the Physical Port and IP Address so that they correspond to your Primary controller.
 - c. Select Target -> Go Online.
 - d. Select Target -> Download <target name> to controller
 - e. Select Hardware Configuration and Logic and click OK.
 - i. Expect the Primary CPU to log a Redundancy link communication failure Controller fault for each RMX module⁶. For example:

0.6	Redundancy link communication failure
0.7	Redundancy link communication failure
 - ii. Confirm that the Primary CPU did not record any Loss of Device faults in its I/O fault table.
 - f. Select Target -> Go Offline.

⁶ Dual RMX configuration is no longer required for the CPE330 with PME SIM14 or later and firmware 9.75 or later. This also applies to the CPE330 when it is in CRU320 compatibility mode,

8. Download the Hardware Configuration and Logic to the Secondary controller.
 - a. Right-click on the 'Hardware Configuration [Secondary]' node and select Set as Selected HWC.
 - b. Click on the target node in PME's Navigator. In the Property Inspector, set the Physical Port and IP Address so that they correspond to your Secondary controller.
 - c. Select Target -> Go Online.
 - d. Select Target -> Download <target name> to controller.
 - e. Select Hardware Configuration and Logic and click OK.
 - i. For both RMX modules in both units, confirm that the LINK OK LEDs are ON. (This might take a few seconds.)
 - ii. Confirm that the Secondary CPU did not record any Loss of Device faults in its I/O fault table.
 - f. Select Target -> Go Offline.
9. You may now connect the last link of the PROFINET network (left open in step 4 above) to complete the ring.
10. Connect PME to the Primary CPU, and put the Primary CPU into Run mode.

Expect the Primary CPU to log a *Primary CPU is Active; no Backup Unit available* Controller fault. For example:

0.2 Primary CPU is Active; no Backup Unit available

11. Connect PME to the Secondary CPU, and put the Secondary CPU into Run mode. Expect the Primary CPU to log a *Primary CPU is Active and Secondary CPU is Backup* Controller fault. For example:

0.2 Primary CPU is Active and Secondary CPU is Backup

This quick start procedure demonstrates the setup and configuration of a basic RX3i Hot Standby CPU Redundancy system that uses PROFINET I/O. This basic setup can be used to learn about other Redundancy features such as Role Switching, Transfer Lists, Non-Synchronized Active Unit (NSAU), and Redundant IP which are described in the latter chapters of this manual.

Section 3: RX3i Hot Standby Redundancy Quick Start with Ethernet I/O

This chapter provides an overview of the steps needed to configure and operate a basic RX3i Hot Standby (HSB) CPU Redundancy system with one Ethernet Remote I/O (ENIU) using an ENIU Machine Edition template.

A template set is a zip file containing pre-configured Ethernet NIU (ENIU) and controller projects for PAC Machine Edition or PAC Process Control. The template set simplifies the configuration of the controllers and ENIUs because the Ethernet Global Data exchanges are already set up, along with a default number of inputs and outputs for the system. If the default values are used, the only steps needed to implement I/O communication are assigning Ethernet IP addresses, configuring I/O modules and storing to the controllers and ENIUs. The templates may be downloaded from PAC Machine Edition. Refer to the *PACSystems RX3i Ethernet Network Interface Unit User's Manual*, GFK-2439.

Note: The Primary and Secondary CPUs in a redundancy system must be of the same type. An RX3i controller cannot function as a redundant pair.

1. Set up two identical controller systems. One system will be designated as Primary and the other will be designated as Secondary.
 - a. For rack-mounted systems, install one Redundant CPU, one or two RMX modules and three Ethernet (ETM001) modules each into each system. Install the ETM modules in the slot locations indicated by Table 3 for RX3i.
 - b. For CPE330, you may not replace the rack-mounted ETM modules with embedded Ethernet: install rack-mounted ETM modules per Table 3.

- c. ENIU templates for embedded PROFINET Controllers are not available at time of publication, so this feature cannot be used with CPE400, CPL410 or with the embedded PROFINET Controller of a CPE330 at this time.

2. (Applies to CRU320 only.) With the CPU battery disconnected, apply power to the racks.

When power is applied to the RMX module an internal loopback test occurs; the OWN DATA and SIGNAL DETECT indicators turn on briefly during this test. When the RMX module and the CPU are powered up and functioning properly, the RMX module's OK indicator is on.

3. (Applies to CRU320 only.) Connect a battery to each redundant CPU.

The redundant CPUs support Error checking and correction (ECC) memory, which must be initialized at least one time with the battery disconnected. Once ECC memory is initialized, the CPU can be power cycled with the battery connected.

4. Download and unzip the appropriate template set for your system.

Templates for redundancy systems are available from the *Support* website. On the website, select *Downloads*, then select the *Developer Files* category.

For a list of available template sets, refer to the *PACSystems RX3i Ethernet Network Interface Unit User's Manual*, GFK-2439. Each template set consists of a *Controller* template and an *ENIU* template.

5. Using the Machine Edition Logic Developer software, restore the Controller project from the appropriate ENIU template set.
6. Open the restored project. Assign IP addresses to all the Ethernet LANs.

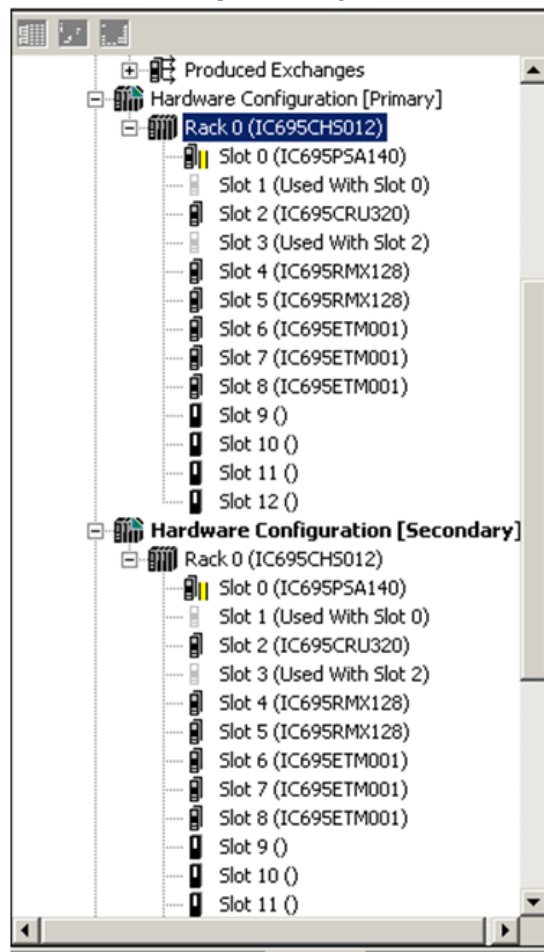
In assigning IP addresses, consider the following functions:

Table 3: RX3i Rack-mounted Configuration

Ethernet Interface	Function
ETM001 in Slot 6 ⁷	Programmer connection to your computer Requires a Redundant IP address, which should be the same IP Address for both the Primary and Secondary rack systems.
ETM001 in Slot 7	Private network, LANA for Ethernet I/O exchanges
ETM001 in Slot 8	Private network, LANB for Ethernet I/O exchanges

The hardware configuration should appear similar to Figure 7, which shows an RX3i configuration:

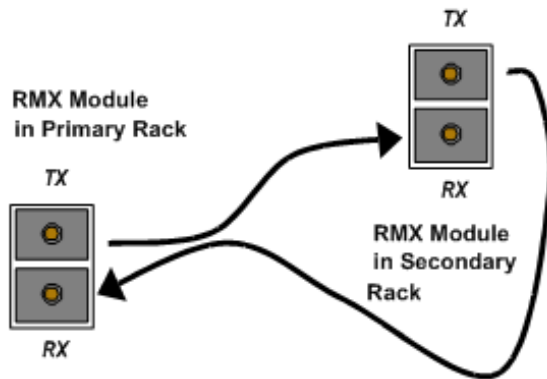
Figure 7: RX3i Hardware Configuration Provided by an ENIU Controller Template Project



⁷ ETM001 in Slot 6 may be replaced by the Ethernet port embedded in CPUs such as CPE330.

7. Use fiber-optic cable to connect each RMX module in the Primary Rack to the corresponding RMX module in the Secondary Rack (the module in the same Slot number) as described in Figure 8.
Using an LC-compatible fiber-optic cable, connect the TX connector on one RMX module to the RX connector of the other RMX module, and vice-versa (refer to Figure 8.) When the fiber-optic transceiver detects a signal on the network, the SIGNAL DETECT indicator will be on.

Figure 8: Fiber Optic Cable Connections for RMX Modules



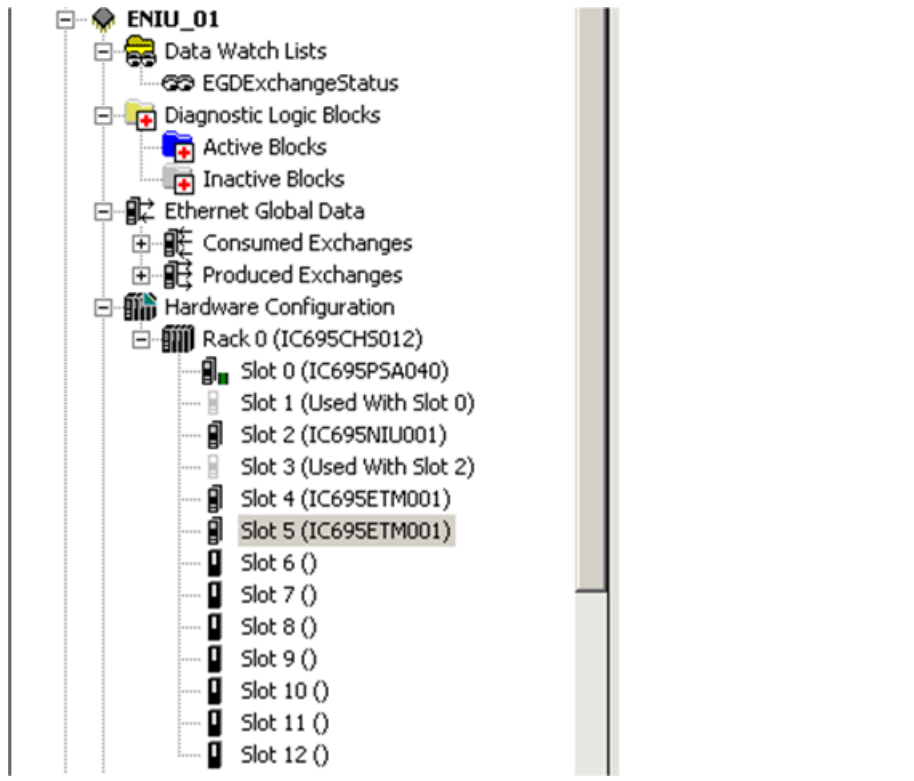
Note: Ensure that the cable type matches the module type, such that, single-mode cable is used for single mode modules and multimode cable is used for multimode modules.

8. In PAC Machine Edition, close the Controller project and restore the ENIU project from an ENIU template set:

Open the project and on target ENIU_01 open the Hardware Configuration. Set the IP addresses of the ETM001 modules, taking into consideration that the ETM001 in Slot 4 of the ENIU rack will be on a private network called LANA (connected to LANA of the Redundancy CPUs) and the ETM001 in Slot 5 will be on a private network called LANB (connected to LANB of the Redundant CPUs).

The hardware configuration should appear similar to Figure 9, which shows an RX3i configuration.

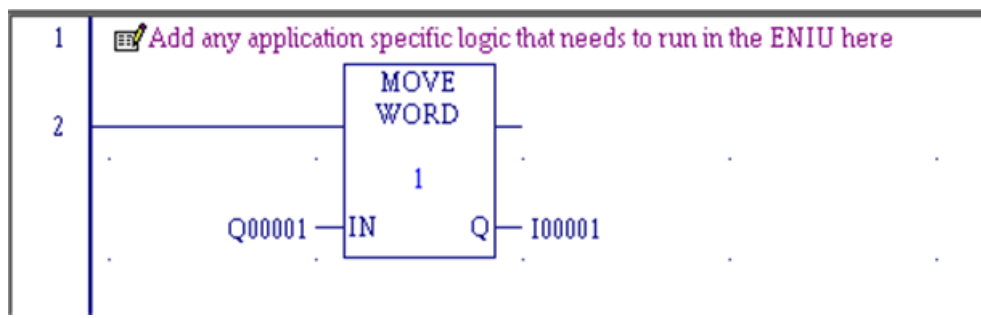
Figure 9: ENIU Hardware Configuration Provided by an ENIU Template Project



9. Add I/O loopback logic to confirm data transfer between ENIU and Redundant CPUs

Under the Logic node in PAC Machine Edition, open the Program Block Local_User_Logic. Add the logic shown in Figure 10 to loop outputs %Q1-%Q16 back to inputs %I1-%I16.

Figure 10: Add Ladder Logic for ENIU



10. (Applies to rack-mounted systems only.) Install a Power supply, RX3i ENIU (IC695NIU001) and two ETM001 modules into an RX3i backplane as shown the hardware configuration in step 6. Apply power to the system.
11. Connect your PC to the ENIU via a Serial cable from the ENIU module's COM1 or COM2 port to one of your PC's COM ports or install an additional ETM001 module to the ENIU rack to provide connectivity via Ethernet. With the template folder open in PAC Machine Edition, connect to the ENIU either by a COM port or by Ethernet.

Store the ENIU_01 application to the ENIU and put the ENIU into run mode.
12. Connect Ethernet cables between the Redundant CPUs and the ENIU rack system.

RX3i Connections

LANA: Connect one Ethernet cable from ETM001 in Primary Rack Slot 7 to ETM001 in ENIU Rack Slot 4. Connect one Ethernet cable from ETM001 in Primary Rack Slot 8 to ETM001 in ENIU Rack Slot 5.

LANB: Connect one Ethernet cable from ETM001 in Secondary Rack Slot 7 to ETM001 in ENIU Rack Slot 4. Connect one Ethernet cable from ETM001 in Secondary Rack Slot 8 to ETM001 in ENIU Rack Slot 5.

13. Connect Ethernet cables between an Ethernet switch connected to your PC and the ETM001 modules assigned as Programmer connections in both the Primary and Secondary CPU systems.
14. Close _10ENIU_CRU_DLDI_ENIU_1_10 project in PAC Machine Edition and again open project _10ENIU_CRU_DLDI_Controller
 - a. Right-click on the Primary Hardware Configuration node and select Set as Selected HWC. Connect to the Secondary CPU, store the application and put the CPU in run mode.
 - b. Disconnect from the Primary CPU. Right-click on the Secondary Hardware Configuration node and select Set as Selected HWC. Connect to the Secondary CPU, store the application and put the CPU in run mode.

- c. Right-click on the Reference View Tables node and select *New*. Double-click the RefViewTable10 node just created. In the address box, enter %Q1. In the next address box below %Q00001, enter %I1. Right-click in the *Values* area just to the left of the Address boxes and select *Format View Table*. Check the box labeled *Apply to Whole Table*, select *Word* for the Display Type, select *Hex* for the Display Format and click *Ok*. Enter values into the %Q00001 values area and notice that the same values are displayed at %I00001 because of the loopback logic in the ENIU.

Note: For details on configuring an RX3i Genius dual bus redundancy system, refer to Appendix A.

This quick start guide procedure demonstrates setup of a PACSystems Redundancy Controller pair controlling one ENIU remote IO station. This basic setup can be used to learn about other CPE Redundancy features such as Role Switching, Transfer Lists Non-Synchronized Active Unit (NSAU) and Redundant IP. For details on the operation of CPU Redundancy systems, refer to the other chapters in this manual.

Section 4: System Configuration

This chapter describes the hardware components for a Hot Standby CPU Redundancy system and describes system configurations for the basic redundancy schemes supported by PACSystems controllers.

For installation instructions, refer to GFK-2314, *PACSystems RX3i System Manual*.

4.1 Components of a Hot Standby Redundancy System

- Core Systems
- Redundant CPU
- Redundancy Memory Xchange modules
- Redundant I/O Systems

4.1.1 Core Systems

RX3i Systems with Racks

In an RX3i redundancy system where the CPU is mounted in an RX3i rack, an RX3i (IC695CHS0xx) Universal Backplane must be used as the CPU rack. This rack is referred to as Rack 0. For specific backplane versions required, refer to the Important Product Information document provided with your RX3i CPU.

Any RX3i expansion rack or any Series 90-30 expansion rack that is supported by RX3i can be used in a rack-mounted RX3i redundancy system.

RX3i Systems without Racks

CPE400 and CPL410 are RX3i CPUs which cannot be installed in an RX3i rack. They therefore do not support RMX modules, rack-mounted PNC modules or rack-mounted Ethernet modules. Sections of this manual will therefore specify how CPE400/CPL410 systems may be used in Redundancy applications. While the system rack is physically absent in CPE400/CPL410 configurations, the CPE400/CPL410 itself is able to

provide all the equivalent functionality via its embedded PROFINET controller and embedded Ethernet networks. All I/O in this type of system is PROFINET I/O, since no rack-mounted I/O is permitted.

CPE400/CPL410 do not support Hot Standby Redundancy for Ethernet IO. Such systems require an ETM001, which the CPE400/CPL410 do not support.

CPE400/CPL410 do not support expansion racks.

4.1.2 Redundant CPU Modules

To use the features described in this manual, RX3i Redundant CPUs (except CPE400 and CPL410, which are not rack-mounted CPUs) must be installed in any slot in rack 0.

Note: A given feature may not be implemented on all PACSystems CPUs. To determine whether a feature is available on a given CPU model and firmware version, please refer to the Important Product Information (IPI) document provided with the CPU.

The CPU provides configurable reference memory limits for %AI (Analog Input), %AQ (Analog Output), %R (Register), and %W (bulk memory area) reference memory, as well as symbolic discrete reference memory and symbolic non-discrete reference memory. For additional CPU features and performance specifications, refer to the *PACSystems RX3i and RSTi-EP CPU Reference Manual*, GFK-2222.

Operation of the CPUs can be controlled by the three-position RUN/STOP switch or remotely by an attached programmer and programming software. Program and configuration data can be locked through software passwords. The LEDs on the front of the module indicate CPU and Ethernet interface status.

- Redundant IP address
- Production of selected EGD exchanges in Backup mode
- Up to 255 Ethernet Global Data (EGD) exchanges with up to 100 variables per exchange.
- EGD upload and selective consumption of EGD exchanges.
- Upload and download of an Advanced User Parameter (AUP) file, which contains user customizations to internal Ethernet operating parameters.

- Run mode store of EGD (PACSystems releases 5.5 and later), which allows you to add, delete or modify EGD exchanges without stopping the controller. For details on using this feature, refer to the *PACSystems RX3i and RSTi-EP TCP/IP Ethernet Communications User Manual*, GFK-2224.
- Redundant CPUs Compared to Standard PACSystems CPUs
- The following features are not available:
- I/O and module interrupts: This includes the single edge triggered interrupts from the discrete input modules, the high alarm and low alarm interrupts from the analog input modules, and interrupts from VME modules. A program that declares I/O Interrupt triggers cannot be stored to a Redundant CPU.
- Interrupt Blocks (I/O, timed, module): Logic that contains interrupt blocks cannot be stored to a Redundant CPU.
- Stop I/O Scan mode: If an attempt is made to place a Redundant CPU in this mode, the controller will reject the selection and return an error.
- #OVR_PRE %S reference, which indicates whether one or more overrides are active, is not supported in a Redundant CPU, and should not be used.
- RX3i Redundant CPUs do not support the PACMotion module (IC695PMM335).
- The following features operate differently in redundant CPUs than they do in standard PACSystems CPUs:
- Error checking and correction (ECC) is enabled.⁸
- RUN/DISABLED mode. This is explained in Section 6:, *Operation*.
- User-configurable fault actions are not used when the CPUs are synchronized.
- STOP to RUN mode transition. For details, refer to Section 6.2, *Synchronizing Redundant CPUs*.
- Background Window Timer (in Normal Sweep mode) default is 5ms. It is highly recommended that the Background Window Timer be set to the same value for both CPUs making up a redundancy pair.
- By default, Ethernet Global Data (EGD) is produced only by the Active unit. The Backup unit can produce individual EGD exchanges that are configured for production in Backup mode.

⁸ Exception: CPL410, CPE400 and CPE330 always operate with Error checking and Correction (ECC) enabled, even in non-Redundant applications.

Also, be aware that instance data associated with IEC transitionals (PTCOIL, NTCOIL, PTCON, and NTCON) is not synchronized between the two CPUs. For details, refer to Section 6.6, *Data Transfer*.

Using the Redundant CPU for Simplex Operation

The Redundant CPU can be used for both redundant and simplex (non-redundant) applications. The functionality and performance of a Redundant CPU configured for simplex operation is the same as for a unit that is configured for redundant operation with no Backup available. This includes the redundancy informational messages such as those generated when a unit goes to Run mode.

4.1.3 Redundancy Memory Xchange Modules

Rack-mounted redundancy systems use a pair of RMX modules to provide a path for transferring data between the two redundant CPUs. A complete communications path consists of one RMX in the Primary CPU rack, one RMX in the Secondary CPU rack, and two high-speed fiber-optic cables connecting them to each other. This must be a two-node ring: no other reflective memory nodes are allowed to be part of this fiber-optic network.

Note that CPE330 is required to use RMX modules in hot standby redundancy applications, just like any other rack-mounted RX3i system. Its high-speed LANs cannot be used as a substitute redundancy link.

When using PROFINET, Ethernet NIUs or Genius for the redundantly controlled I/O, it is **strongly recommended** that two redundancy links (for a total of four RMX modules) be configured and installed.

RMX modules must be installed in the main rack (rack 0).

The RMX module has a toggle switch that can be used to manually request a role switch. Eight LEDs, described in the following table, provide indication of module status.

Note: The RX3i RMX128/RMX228 module supports hot insertion and removal. However, the redundancy communication link associated with a hot swapped RMX module will not be restored automatically. The LINK OK indicator on both RMX modules in the link will be OFF. To restore the link, refer to Section 7.5, Online Repair and System Upgrade.

RMX LEDs

Table 4: RMX LED Definitions

LED Label	Description
OK	ON indicates the module is functioning properly.
LINK OK	When used as a redundancy link, ON indicates the link is functioning properly.
LOCAL READY	ON indicates the local unit is ready.
LOCAL ACTIVE	ON indicates the local unit is Active.
REMOTE READY	ON indicates the remote unit is ready.
REMOTE ACTIVE	ON indicates the remote unit is Active.
OWN DATA	ON indicates the module has received its own data packet from the network at least once.
SIGNAL DETECT SIG DETECT	ON indicates the receiver is detecting a fiber-optic signal.

Certain RMX LEDs (refer to Section 6.3) are also reflected in the %S status bits. This allows the application software to read the active/ready status of the local and remote CPUs.

4.1.4 Redundant I/O Systems

PROFINET

Applications that require a highly available control system that survives a single point of failure in the controllers and a single point of failure in the I/O network can leverage PROFINET I/O. This solution allows you to interface the RX3i Redundant CPU to remote VersaMax I/O across an Ethernet network. RX3i PROFINET Redundancy is an evolution of the PACSystems Hot Standby ENIU solution to an industry-standard I/O protocol.

For sample Hot Standby CPU Redundancy systems that use PROFINET I/O, refer to Section 4.2, CPU Redundancy Using PROFINET I/O.

Ethernet Network Interface Unit (ENIU)

CPU-based ENIU modules can be used to interface the RX3i Redundant CPU to remote I/O stations through Ethernet LANs. These devices, which include IC695NIU001 and IC693NIU004, make it possible to use PACSystems RX3i remotely on an Ethernet network.

An identical set of EGD exchange definitions is downloaded to both the Primary and Secondary controllers. An ENIU can consume EGD exchanges from two controllers simultaneously. However, when used with redundant controllers, the ENIU automatically switches to the standby controller if the Active controller becomes unavailable.

For sample redundancy systems using EGD, refer to Section 4.2, CPU Redundancy Using PROFINET I/O. For details on EGD operation in a redundancy system, refer to Section 6.17, *Ethernet Global Data in an HSB Redundancy System*. For details on the operation of ENIUs, refer to the *PACSystems RX3i Ethernet Network Interface Unit User's Manual*, GFK-2439.

Genius Bus Controller and Genius Devices

The Genius Bus Controller interfaces the Redundant CPU to a Genius I/O bus. The bus controller scans Genius devices asynchronously and exchanges I/O data with the CPU.

An HSB CPU Redundancy system can have multiple Genius I/O bus networks. Any Genius device can be placed on the bus (Genius blocks, Field Control, Remote I/O Scanner, VersaMax I/O, and so forth). The Genius outputs are determined by the Active unit. The Genius Bus Controller installed in the Primary CPU has a Serial Bus Address of 31; the Genius Bus Controller installed in the Secondary CPU has a Serial Bus Address of 30. For sample redundancy systems using Genius I/O, refer to Section 4.4.2, Basic CPU Redundancy Using Genius I/O.

Note: For RX3i systems with Dual Genius Buses, only VersaMax I/O Genius Network Interface Units (GNIU) are supported. For non-Dual Genius Buses, any Genius device can be placed on the bus (Genius blocks, Field Control, Remote I/O Scanner, VersaMax I/O, and such).

OPC UA

The OPC UA allows monitoring and control information to be collected for HMI, automation, aggregation, and/or historical tracking. This solution allows non-transparent redundancy for clients which support it. Enabling redundancy and OPC UA is sufficient to enable it on the CPU pair.

Note: Both PME 9.8 SIM 5 and PLC Firmware 10.10 or greater versions are required.

Note: In a non-transparently redundant pair configuration, the client is responsible for connecting to the two systems and swapping in the event of a failure.

4.1.5 Local I/O

Local I/O can be included in either unit; however, it is not part of the redundant I/O system. A failure in the Local I/O system will affect the unit as described in the *PACSystems RX3i and RSTi-EP CPU Reference Manual*, GFK-2222.

4.2 CPU Redundancy Using PROFINET I/O

This section discusses sample system architectures using PROFINET I/O with Hot Standby CPU Redundancy. These sample system architectures support both general communications (such as a programmer connection) and remote I/O data transfers. Remote I/O data transfers use PROFINET across an Ethernet connection to the remote devices.

If you need I/O network redundancy, you must use an MRP ring topology. If you do not need I/O network redundancy, you can use a star network topology. Additional details on these network architectures are presented below.

A CPU Redundancy system can also contain simplex (non-redundantly controlled) IO devices that are configured and controlled at only one CPU unit.

4.2.1 Configuration Considerations

Redundancy Links

When you use redundantly controlled PROFINET I/O, you are required to configure a minimum of one redundancy link. A failed redundancy link should be repaired as soon as possible.

Input Data Validation

To determine the health of PROFINET Inputs, the logic application must use the I/O Point Faults associated with those inputs. To use point faults, they must be enabled in Hardware Configuration (HWC) on the Memory parameters tab of the CPU.

The logic application may use the *All Devices Connected* PNC module status bit to determine connectivity to PROFINET I/O-Devices. However, the logic application must not use the *All Devices Connected* status bit to determine the health of Input data from a PROFINET I/O-Device because this bit is not synchronized to Input data delivery.

For additional information on input data validation, refer to the *PACSystems RX3i and RSTi-EP CPU Reference Manual*, GFK-2222.

Network Size

A Redundant CPU can control a maximum of 255 PROFINET I/O Devices.

The PAC Machine Edition allows a maximum of 128 simplex or redundant nodes to be connected together in a Media Redundancy Protocol (MRP) ring topology. One of the nodes must operate as the Media Redundancy Manager. All the other nodes that participate in the ring must operate as Media Redundancy Clients. If the PNC is the MRP Ring Manager, only 64 nodes are supported in an MRP Ring.

An individual PNC can control a maximum of 128 I/O devices.

For more information, refer to Section 5: Configuration Requirements.

4.2.2 Configuration Overview

For both controllers to be able to connect to a redundantly controlled PROFINET I/O Device and control that device's I/O, both controllers must have identical copies of the hardware configuration for that device. PAC Machine Edition does not permit a redundantly controlled I/O Device to be configured in a standalone (non-Dual HWC) target.

Critical Network Ports

To force a CPU redundancy role-switch to occur when an I/O network connection is lost, configure the desired PNC module's port as a Critical Network Port. It is permissible to configure more than one port as critical. When all of the Critical Network Port connections are lost, a diagnostic fault is logged by the PROFINET Controller with the CPU placed into Stop/Fault mode, which invokes the CPU redundancy role-switch if the PROFINET Controller is controlling redundant devices. Critical Network Ports are described in the *PACSystems RX3i PROFINET Controller Manual*, GFK-2571, Chapter 3, Configuration - PROFINET Controller Parameters (Settings Tab).

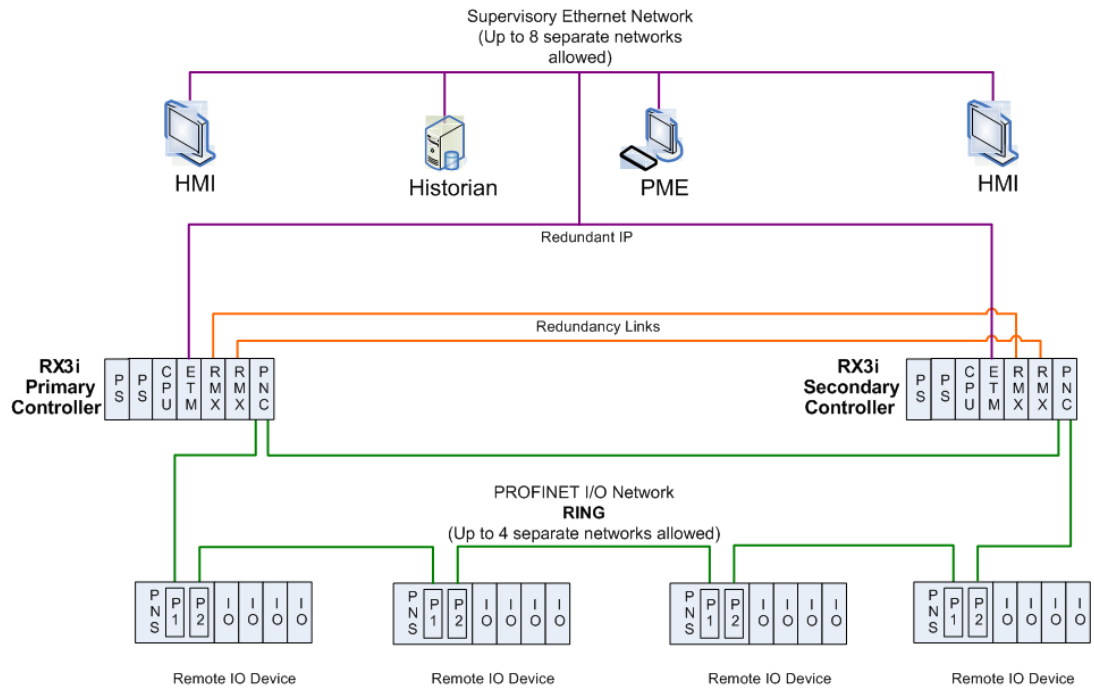
4.2.3 PROFINET Network Architectures

MRP Ring Topology (Strongly Recommended)

To ensure greater reliability and eliminate your I/O network as a single point of failure, the PROFINET devices should be connected together in a ring topology as shown below. This ring topology uses the PROFINET Media Redundancy Protocol (MRP), as described in the *PACSystems RX3i PROFINET Controller Manual*, GFK-2571, Chapter 6, *Redundant Media*.

Even though a Hot Standby CPU Redundancy system uses PROFINET I/O Controllers in both the Primary and Secondary CPUs, only one I/O Controller in the entire I/O network can operate as the Media Redundancy Manager (MRM). All other PROFINET I/O Controllers in the same I/O network must be configured as Media Redundancy Clients.

Figure 11: MRP Ring Topology



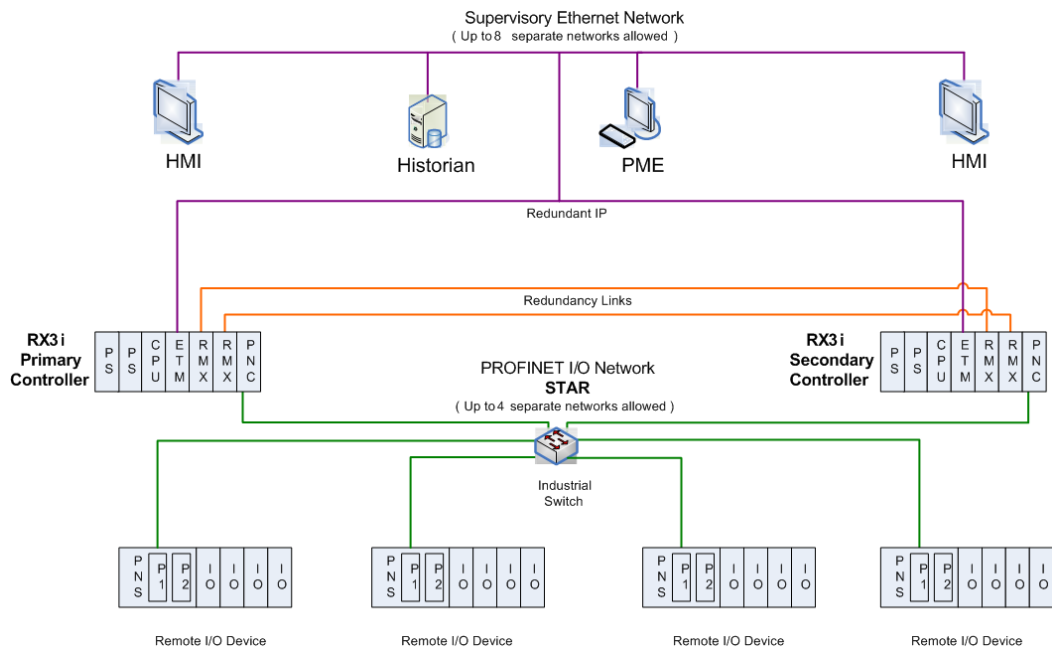
Note: The HMIs and the Historian shown in Figure 11 are optional.

Star Topology

If eliminating your network as a single point of failure is not required, the PROFINET devices can be interconnected in a star topology as shown below.

Note: To eliminate single point failures within your network infrastructure, the MRP ring topology is recommended.

Figure 12: MRP Star Topology



Note: The HMIs and the Historian shown in Figure 12 are optional.

4.3 CPU Redundancy Using Ethernet NIU Remote I/O

This section discusses sample system architectures using Ethernet remote I/O⁹ with CPU hot standby redundancy systems.

These sample system architectures support both *general communications* (such as a programmer connection) and *remote I/O data transfers*.

Remote I/O data transfers use EGD to and from the ENIUs.

For general communication in a hot-standby redundancy system, the Redundant IP feature must be enabled for the Ethernet interface. In general communication, only the Active CPU produces EGD exchanges. When a redundancy role switch occurs, the Backup CPU becomes Active and begins producing EGD. The formerly Active CPU switches to Backup and stops producing EGD.

For remote I/O operation, the Active and Backup CPUs simultaneously process remote I/O EGD exchanges for each ENIU. For architectures using redundant remote I/O LANs, the CPUs process separate remote I/O EGD exchanges on each LAN. All EGD exchanges that can simultaneously occur on a network must have unique Exchange IDs. Hence remote I/O exchanges that are produced by both the Primary and Secondary CPUs must have different Exchange ID values. Remote I/O EGD production continues across CPU role switches. The application logic in the ENIU selects which EGD remote I/O output exchanges to consume for controlling outputs.

If the Active controller transitions to Run I/O Disabled mode, it continues to receive inputs from the ENIU. However, the ENIU no longer receives outputs from the controller. The ENIU's status words can be monitored to detect communication activity. For details on the status words, refer to the *PACSystems RX3i Ethernet Network Interface Unit User's Manual*, GFK-2439.

Note: These architectures are based on the template sets provided for use with PAC Machine Edition and PAC Process Systems programmers. The templates are set up with coordinated references and coordinated parameters for 10, 20, or 24 ENIUs. For systems with other numbers of ENIUs, select the template with the next larger number of ENIUs and delete the extra ENIUs.

⁹ For details about the ENIU configuration and operation and use of the ENIU templates, refer to the *PACSystems RX3i Ethernet Network Interface Unit User's Manual*, GFK-2439.

4.3.1 Dual Controller, Single LAN Systems

The following template sets⁹ are available to configure these architectures.

Architecture	Templates for PAC Machine Edition	Templates for PAC Process Systems
Dual RX3i CPU Controllers, Single LAN	10 ENIUs, 20 ENIUs	10 ENIUs, 20 ENIUs

RX3i Dual Controller, Single LAN System

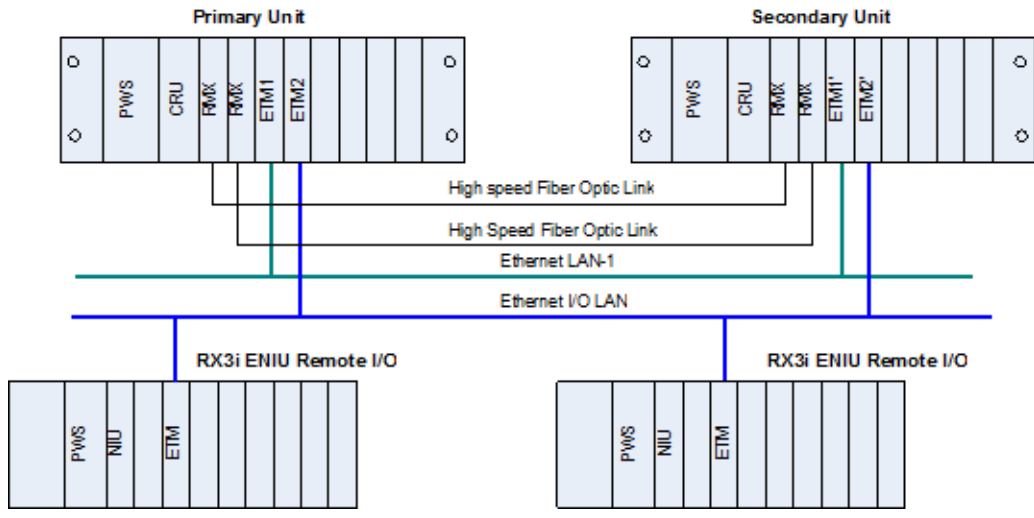
In this architecture, general communications and remote I/O data transfer coexist on separate Ethernet LANs and thus do not contend for network bandwidth. This keeps remote I/O performance from being degraded.

The Redundant IP feature is enabled for the Ethernet interface in both controllers to permit general communications. Any EGD exchanges used for general CPU communications are not configured as *Produce in Backup Mode*.

The produced EGD exchanges that are used for remote I/O data transfer are configured as *Produce in Backup Mode* so that they will be produced in both Active and Backup mode.

For easier configuration, each EGD exchange marked as *Produce in Backup* is configured with the Exchange ID value used by the Primary CPU. The Programmer automatically generates a unique Exchange ID value for the Secondary CPU by adding the configured "Secondary Produced Exchange Offset" value to the configured Exchange ID value. For details on the exchange offset, refer to Section 6.17.1, *Ethernet Global Data Production*.

Figure 13: RX3i System with Dual Controllers, Single LAN



4.3.2 Dual Controller, Dual LAN Systems

The following template sets are available to configure these architectures.

Table 5: Template Sets for PAC Architectures

Architecture	Templates for PAC Machine Edition	Templates for PAC Process Systems
Dual RX3i CPU Controllers, Dual LAN	10 ENIUs, 20 ENIUs	10 ENIUs, 20 ENIUs

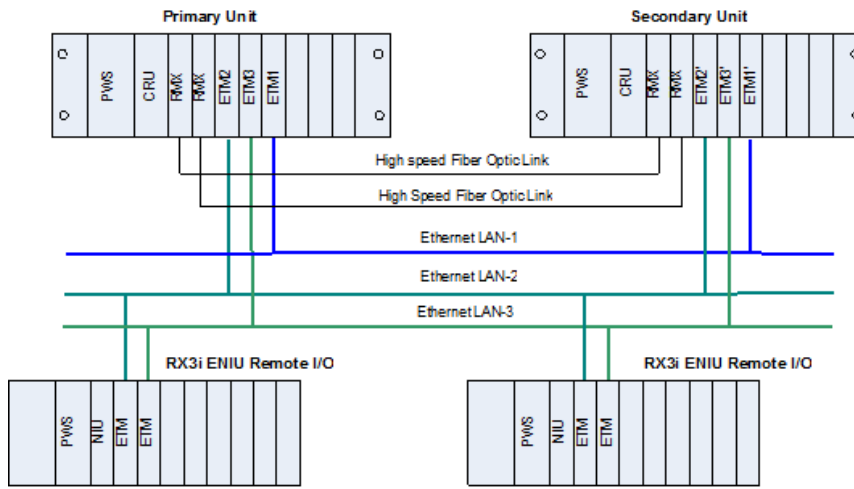
RX3i Dual Controller, Dual LAN System

In this system architecture, the remote I/O stations each have two Ethernet modules to provide the stations with redundant LAN connections to the controllers. LAN3 acts as a backup to LAN2.

The Redundant IP feature is enabled for the Ethernet interfaces on LAN1 because it handles general communications. EGD exchanges used for general CPU communications are not produced in Backup mode.

Each controller uses a separate Ethernet interface for communication on each remote I/O LAN (one for LAN2 and another for LAN3). The remote I/O EGD exchanges are configured on the Ethernet interfaces for the appropriate LAN.

Figure 14: RX3i System with Dual Controllers, Dual LANs



4.4 Genius Hot Standby Operation

In a Genius Hot Standby CPU redundancy system, the Genius outputs are controlled by only one unit (the Active unit). The inputs are shared between both units. One unit is the Primary CPU and the other is the Secondary CPU. The Primary CPU controls all externally redundant Genius Bus Controllers at SBA 31; the Secondary CPU controls all externally redundant Genius Bus Controllers at SBA 30.

The Genius output devices are normally configured for Genius Hot Standby redundant operation. With this configuration, the devices choose between outputs from the Genius Bus Controller at SBA 31 and the Genius Bus Controller at SBA 30. If outputs from both Genius Bus Controllers are available, the devices will use outputs from SBA 31. If there are no outputs from SBA 31 for three consecutive Genius I/O bus scans, the devices will use the outputs from SBA 30. If outputs are not available from either SBA 31 or 30, the outputs go to their configured default (OFF or hold last state).

4.4.1 Genius Output Control

In a Genius Hot Standby CPU Redundancy system, the Active unit determines the values of the Genius outputs.

Both the Primary and Secondary CPUs send outputs regardless of which one is Active. The user is responsible for ensuring that all redundant Genius outputs are included in the output data transfer. Because the same output values will then be sent to the GBCs in both units, the devices will receive the same output values from SBA 31 and SBA 30. There is no data interruption on switchover because both units are always sending Genius outputs.

Note: In an RX3i CPU Redundancy system, when a GBC is configured as Redundant Controller – External, all its outputs are redundant.

4.4.2 Basic CPU Redundancy Using Genius I/O

Hot Standby CPU Redundancy supports two types of bus schemes for the Genius networks:

- Single bus networks
- Dual bus networks

Note: For RX3i systems, Dual Genius Bus support is provided by a set of logic blocks. Templates for RX3i Dual Genius Bus support can be downloaded from the Support web site. For details on using these templates, refer to Appendix A, RX3i Dual Genius Bus Overview and the PACSystems RX3i Dual Genius Bus Quick Start Guide, which is provided with the RX3i Dual Bus Templates.

PACSystems CPU Redundancy implements a floating master algorithm. If an application requires a preferred master algorithm, refer to Section 6.7.4, *Implementing Preferred Master Using SVC_REQ 26*.

Redundant Controllers, Single Genius Bus Networks

This type of network uses a single bus with one Genius Bus Controller in each controller.

The single bus setup is suitable if the application does not require redundant I/O buses. When using single-bus Genius networks in a Hot Standby CPU Redundancy system, one Genius Bus Controller for the bus must be located in the Primary CPU system and one in the Secondary CPU system. There can be multiple Genius buses in each system. The bus controllers controlled by the Primary CPU are assigned Serial Bus Address 31. The bus controllers controlled by the Secondary CPU are assigned Serial Bus Address 30.

Genius output devices will use outputs from Serial Bus Address 31 in preference to outputs from Serial Bus Address 30. Outputs are determined by the Active unit, regardless of which bus controller provides the outputs since all redundant Genius outputs are transferred from the Active unit to the Backup unit.

Hardware Configuration for RX3i Single Bus Network

For RX3i targets, the hardware configuration for single bus networks is created by adding a GBC and adding Genius devices to that GBC.

The GBCs must be configured with the following settings.

Redundancy Mode: Redundant Controller - External

SBA: 31 (Primary CPU) or 30 (Secondary CPU)

The Genius devices must be configured for Hot Standby mode. For example, use the following settings for a Genius block:

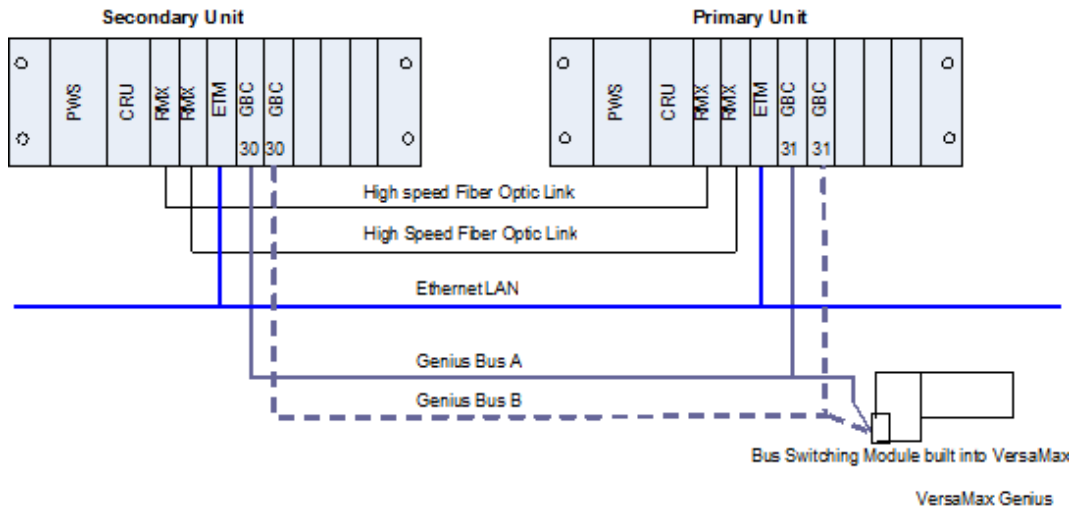
(Hand-Held Monitor) CPU Redundancy = HOT STBY MODE (Hand-Held Monitor) BSM Present = NO

Dual Genius Bus Networks

This option provides redundancy of both the controller and the I/O bus. This type of system uses dual buses with bus controllers in each controller. The Dual Bus network is suitable if the application requires redundancy of the controller and the I/O bus.

A Bus Switching Module (BSM) is required to connect the initial block in the Genius block daisy chain to the dual bus.

Figure 15: RX3i Redundant Controllers with Dual Genius Bus



When using dual bus Genius networks in a Hot Standby CPU Redundancy system, two bus controllers for the bus pair must be located in the Primary CPU system and two more in the Secondary CPU system. There can be multiple dual bus pairs. The bus controllers in the Primary CPU system are assigned Serial Bus Address 31. The bus controllers in the Secondary CPU system are assigned Serial Bus Address 30.

Genius output devices will use outputs from Serial Bus Address 31 in preference to outputs from Serial Bus Address 30. Outputs are determined by the Active unit, regardless of which bus controller provides the outputs since all redundant Genius outputs are transferred from the Active unit to the Backup unit.

Any type of Genius device can be connected to the network. Each Genius network can have up to 30 additional Genius devices connected to it. You may want to reserve one Serial Bus Address for the Hand-Held Monitor.

As a safety feature, a watchdog timer protects each Genius I/O link. The bus controller periodically resets this timer. If the timer expires, the bus controller stops sending outputs. If this happens in a Dual Bus Genius network of a CPU Redundancy system, the paired GBC in the other unit drives the outputs of the Genius devices. If the GBC in the other unit is not available, the BSMs switch to the other bus. The cause of the failure must be remedied to re-establish communications.

Hardware Configuration for RX3i Dual Bus Network

The hardware configuration for this type of network can be created by adding two GBCs, one for each bus, and adding the Genius devices to both GBCs. refer to the PACSystems RX3i Dual Genius Bus Quick Start Guide for more information.

The GBCs must be configured with the following settings:

Redundant Mode: Redundant Controller - External
SBA: 31 (Primary CPU) or 30 (Secondary CPU)

(Programmer) CPU Redundancy = HOT Standby
(Programmer) BSM Present = YES (Programmer) BSM Controller = YES

Note: Templates for RX3i Dual Bus Genius come with the VersaMax GNIUs already configured for the correct Genius network settings.

Location of GBCs and Blocks

For fastest switching, all Genius Bus Controllers in the Hot Standby CPU Redundancy system should be in the main rack. This will cause the Genius Bus Controller to lose power at the same time that the CPU loses power and allow the Backup unit to gain full control of the I/O as soon as possible. Each GBC has an output timer that it resets during every output scan. If the GBC determines that the CPU in its controller has failed, it will stop sending outputs to its Genius devices. This allows the other GBC to take control of the I/O.

For single and dual bus Genius networks, the Genius Bus Controllers should be connected at the same end of the bus, as shown in Figure 14 and Figure 15. In particular, the GBC of the Secondary CPU should be placed at one end of the bus and the GBC of the Primary CPU should be connected to the bus such that it is between the GBC of the Secondary CPU and the Genius devices. No I/O blocks or other devices should be connected to the bus between the connection nodes of the two bus controllers.

In the case of dual bus networks, placing the bus controllers and devices in this manner minimizes the risk of a bus break between the two units. A bus break between the units could result in only some devices switching buses, and make the other devices inaccessible to one of the units. It also allows the Primary CPU to continue to control the I/O in bus failure conditions that might otherwise result in loss of inputs and unsynchronized control of outputs.

Since the recommended configuration for single and dual bus networks still has the possibility of a bus breaking between the two CPUs, you may want to program the application to monitor the status of the buses from the unit configured at the end of the buses and request a role switch or bus switch (dual bus network only) if loss of bus is detected.

Duplex Genius Output Mode

Although it is not common, you can configure your Genius I/O system for duplex mode, meaning that they will receive outputs from both bus controllers 30 and 31 and compare them. Only devices that have discrete outputs can be configured for Duplex mode.

If the controllers at SBAs 30 and 31 agree on an output state, the output goes to that state. If the controllers at SBAs 30 and 31 send different states for an output, the device defaults that output to its pre-selected Duplex Default State. For example:

Table 6: Duplex Output States

Commanded State from Device Number 31	Commanded State from Device Number 30	Duplex Default State in the Block or I/O Scanner	Actual Output State
On	On	Ignore	On
Off	On	Off	Off
Off	Off	Ignore	Off
On	Off	On	On

If either controller 30 or 31 stops sending outputs to the device, outputs will be directly controlled by the remaining controller.

Section 5: Configuration Requirements

5.1 Overview

This chapter defines the special configuration requirements of a Hot Standby CPU Redundancy system.

When the redundantly controlled I/O is PROFINET, you must use a Dual HWC target to configure your system.

When the redundantly controlled I/O is Ethernet NIUs or Genius, if the program logic will be the same for both units, it is recommended that you use a Dual HWC target.

If you are using Ethernet NIUs or Genius and you do not want to use the same logic in both units, you should create two separate targets and set the target property Dual HWC to FALSE in each target.

When you select a Redundant CPU, the programming software automatically presents the Dual HWC target. The remainder of this chapter assumes a Dual HWC target.

CAUTION

If both units are configured as Primary or as Secondary, they will not recognize one another. If this happens in an RX3i system that uses Genius I/O, the GBCs only blink their LEDs and no fault is reported.

Correct the configuration of both units before placing either unit in Run mode.

Note: The Redundant CPU can be used for redundant and non-redundant applications. For non-redundant applications, set the Dual HWC for the target to False and do not configure any redundancy links.

5.1.1 Setting up a CPE400 or CPL410 for Redundancy

CPE400 and CPL410 utilize both ports on LAN3 for Redundancy. This provides the high-speed Ethernet Communications link used in place of the traditional RMX modules. No other equipment may be introduced onto LAN3. Each port on the Primary CPU is directly connected to the equivalent port in the Backup (upper to upper and lower to lower). The system will operate with only one Ethernet link operating on LAN3, but both links should be connected to provide for redundancy on the communications link itself. LAN3 is not configurable.

The CPE400/CPL410 OLED display provides access to basic CPE400/CPL410 status and control information including the configured IP address for each LAN.

Since the CPE400 and CPL410 are rackless CPUs, they cannot accommodate rack-mounted modules, including the rack-mounted PNC module. The PNC functionality is therefore supported by Ethernet ports (on LAN2 only), configured as an embedded PNC.

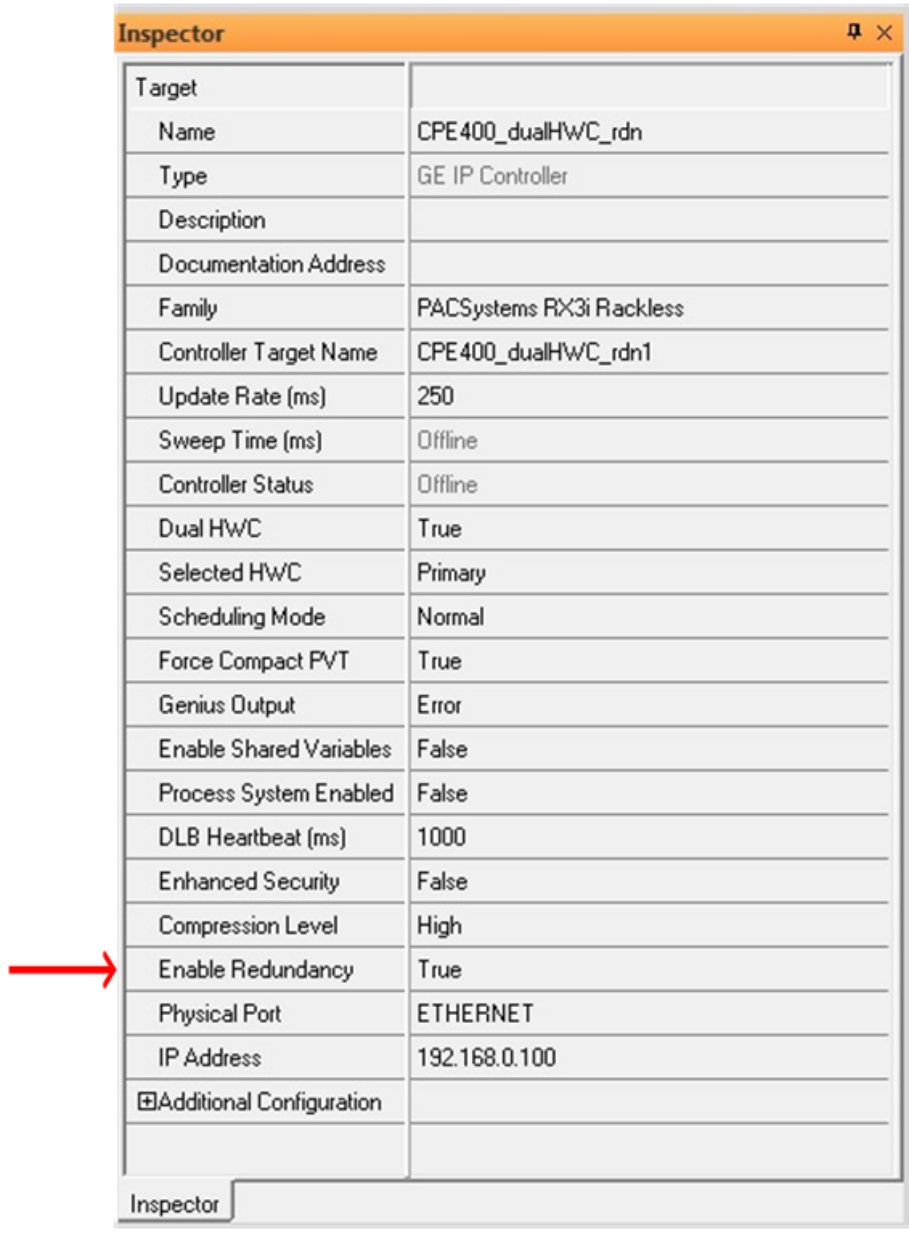
Step by Step instructions for Configuring Redundancy on CPE400 or CPL410

Use PAC Machine Edition 9.50 SIM 5 or later to create CPE400 redundant applications.

Use PME 9.50 SIM 10 or later for CPL410 configurations.

1. To enable redundancy in a CPE400/CPL410 project, select the target CPU in the PME Navigator and use the Property Inspector to change the *Enable Redundancy* target property to True (Figure 16).

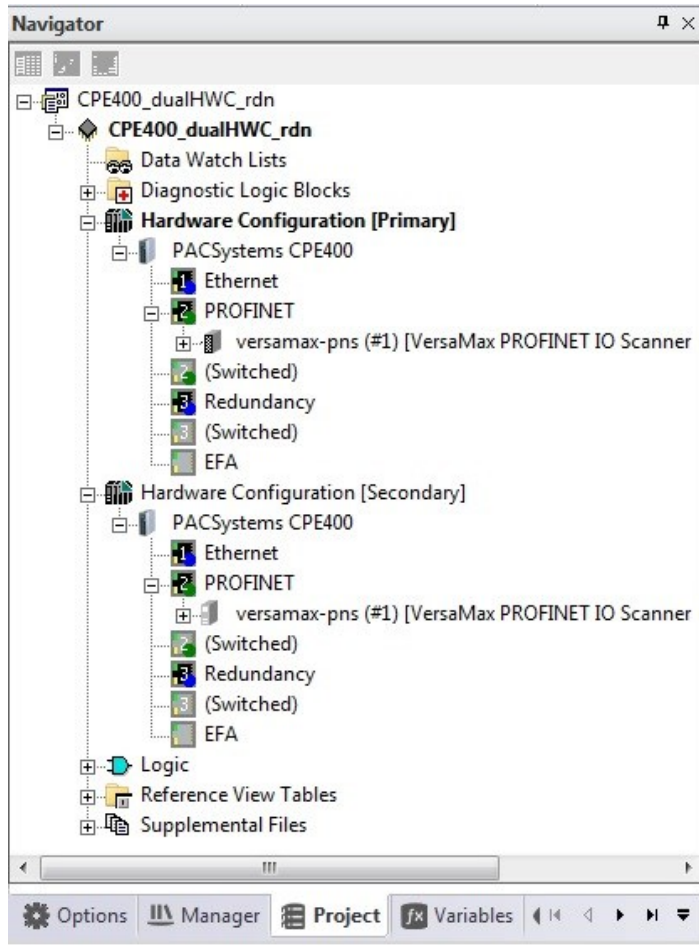
Figure 16: Enable Redundancy in CPE400



Inspector	
Target	
Name	CPE400_dualHWC_rdn
Type	GE IP Controller
Description	
Documentation Address	
Family	PACSystems RX3i Rackless
Controller Target Name	CPE400_dualHWC_rdn1
Update Rate (ms)	250
Sweep Time (ms)	Offline
Controller Status	Offline
Dual HWC	True
Selected HWC	Primary
Scheduling Mode	Normal
Force Compact PVT	True
Genius Output	Error
Enable Shared Variables	False
Process System Enabled	False
DLB Heartbeat (ms)	1000
Enhanced Security	False
Compression Level	High
Enable Redundancy	True
Physical Port	ETHERNET
IP Address	192.168.0.100
Additional Configuration	

2. Once the *Enable Redundancy* target property is set to True, PME generates a secondary HWC and includes it in the target (Figure 17).
 - a. Refer to the PME Help page for information concerning other CPE400/CPL410 properties that are also changed as a result of enabling redundancy.
 - b. If the *Enable Redundancy* property is changed back to *False*, the Secondary HWC is automatically removed.

Figure 17: Generate Secondary CPE400 Hardware Configuration



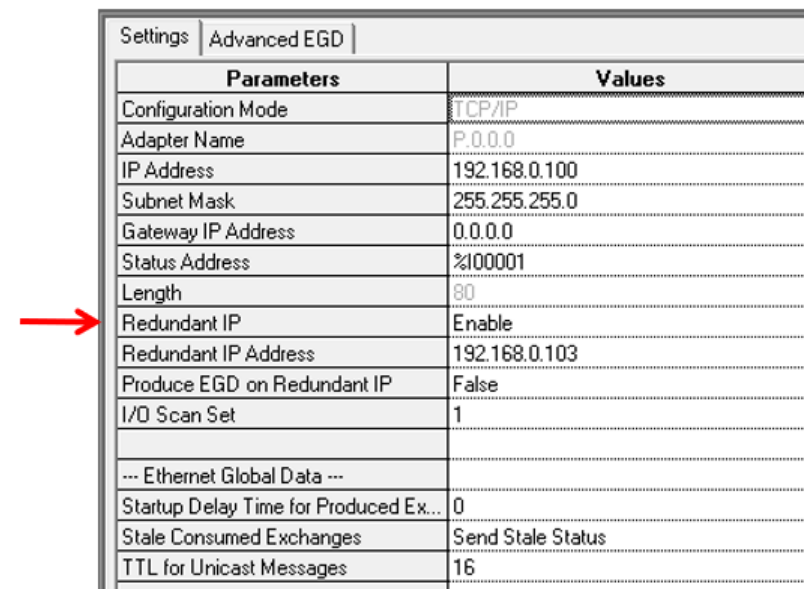
- Redundancy and Transfer List tabs are also added to the configuration parameters window for the CPE400/CPL410 (Figure 17). Refer to Section 6.5 for a discussion of *Fail Wait Time*. Refer to Section 6.6 for a discussion of *Data Transfer*, including Transfer Lists.

Figure 18: Redundancy tab & Transfer List tab Associated with CPE400

Settings Scan Memory Redundancy Transfer List Faults Scan Sets Access Control Time OPCUA	
Parameters	Values
Redundancy Mode	Primary
Control Strategy	HSB
Fail Wait Time (mSec in 10 mSec Increments)	300
Redundancy Links	1

4. The CPE400/CPL410 supports a Redundant IP address on LAN1 (Ethernet or PROFINET) and on LAN2 (Ethernet only). Refer to Section 5.4.4, *Ethernet Interface Parameters*.
 - a. Redundant IP is disabled by default, so be sure to manually enable it (Figure 19) whenever it is required for the application.
 - b. Redundant IP is supported by the SRTP Server, Modbus TCP Server, and EGD protocols.
 - c. The CPE400/CPL410 OPC UA Server and Ethernet firmware update web page are available in a redundant system using the direct IP addresses of the primary and secondary CPUs; they are not available via the Redundant IP address.

Figure 19: Enable CPE400 Redundant IP (LAN1)



Settings Advanced EGD	
Parameters	Values
Configuration Mode	TCP/IP
Adapter Name	P.0.0.0
IP Address	192.168.0.100
Subnet Mask	255.255.255.0
Gateway IP Address	0.0.0.0
Status Address	%100001
Length	80
Redundant IP	Enable
Redundant IP Address	192.168.0.103
Produce EGD on Redundant IP	False
I/O Scan Set	1
--- Ethernet Global Data ---	
Startup Delay Time for Produced Ex...	0
Stale Consumed Exchanges	Send Stale Status
TTL for Unicast Messages	16

5. RX3i PROFINET redundant applications may be migrated between CRU320, CPE330, CPE400 and CPL410.

Restrictions for CPE400/CPL410 Redundancy

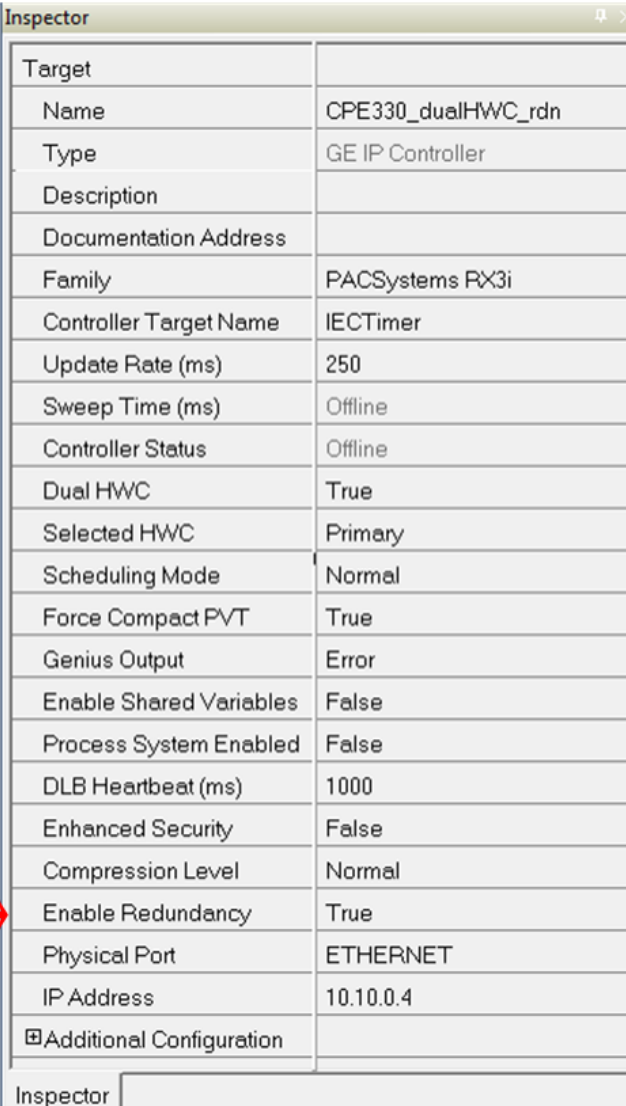
1. In the CPE400 and CPL410, the PNC functionality is only supported by Ethernet ports (on LAN2 only), configured as an embedded PROFINET Controller.
2. Only one PROFINET I/O network may be configured in a CPE400/CPL410 system. The number of PROFINET devices is limited to:
 - a. CPE400 – 32 (simplex) or 20 (Hot Standby Redundancy).
 - b. CPL410 – 64 (simplex) or 32 (Hot Standby Redundancy).
3. LAN3 is reserved for Redundancy Communications. No additional Ethernet hardware may be attached to this network. Only the Primary and Secondary CPUs may be interconnected on LAN3.
4. To support Hot Standby Redundancy with Genius I/O, the CPE400 or CPL410 CPU must employ its embedded PROFINET Controller and interface with Genius devices via the RX3i Genius Communications Gateway (GCG) IC695GCG001. The CPE330 may also be configured to use its embedded PROFINET Controller in such a configuration. Similar configurations have been tested using other RX3i CPUs combined with rack-mounted PROFINET Controllers (IC695PNC001). GE Automation & Controls does not see any reason why configurations employing an embedded PROFINET Controller would not work equally well. However, testing with embedded PROFINET Controllers has not been conducted at this time.

5.1.2 Setting up a CPE330 for Redundancy

Step by Step instructions for Configuring Redundancy on CPE330

1. Use PAC Machine Edition 8.60 SIM 8 or later to create native CPE330 redundant applications.
2. To enable redundancy in a CPE330 project, select the CPE330 target in the PME Navigator and use the Property Inspector to change the Enable Redundancy target property to True (Figure 20).

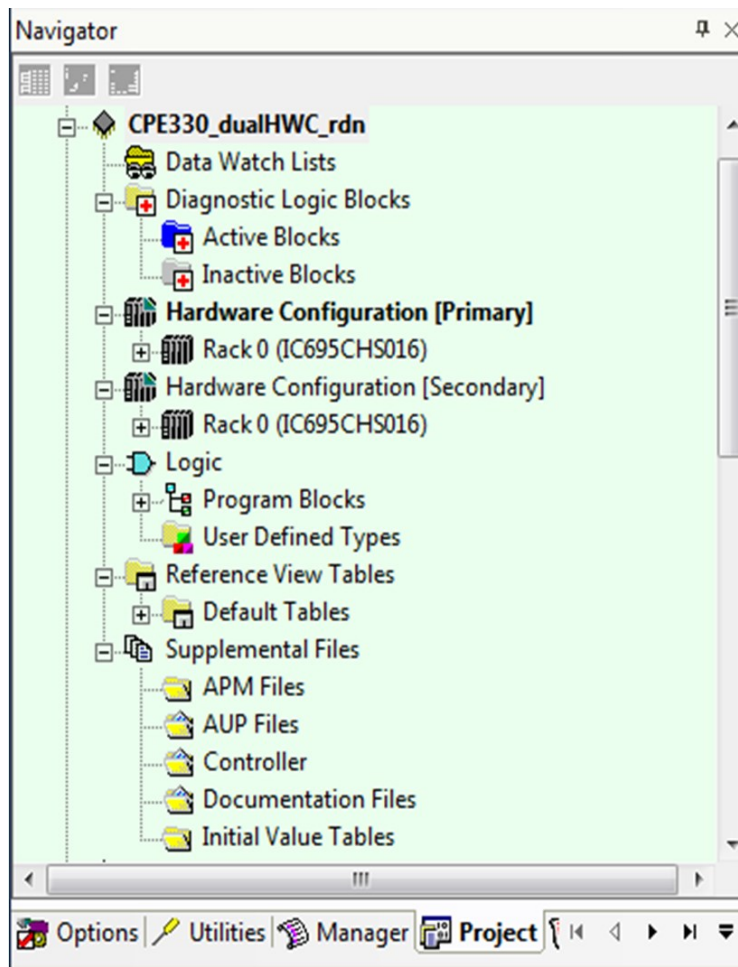
Figure 20: Enable Redundancy in CPE330 Target



Inspector	
Target	
Name	CPE330_dualHWC_rdn
Type	GE IP Controller
Description	
Documentation Address	
Family	PACSystems RX3i
Controller Target Name	IECTimer
Update Rate (ms)	250
Sweep Time (ms)	Offline
Controller Status	Offline
Dual HWC	True
Selected HWC	Primary
Scheduling Mode	Normal
Force Compact PVT	True
Genius Output	Error
Enable Shared Variables	False
Process System Enabled	False
DLB Heartbeat (ms)	1000
Enhanced Security	False
Compression Level	Normal
Enable Redundancy	True
Physical Port	ETHERNET
IP Address	10.10.0.4
Additional Configuration	

3. Once the *Enable Redundancy* target property is set to True, PME generates a secondary HWC and includes it in the target (Figure 21).
 - a. Refer to the PME Help page for information concerning other CPE330 properties that are also changed as a result of enabling redundancy.
 - b. If the *Enable Redundancy* property is changed back to *False*, the Secondary HWC is automatically removed.

Figure 21: Generate CPE330 Secondary Hardware Configuration



4. Redundancy and Transfer List tabs are also added to the configuration parameters window for the CPE330 (Figure 22). (Refer to 6.5 for a discussion of Fail Wait Time.
5. Refer to Section 6.6 for a discussion of *Data Transfer*, including Transfer Lists.

Figure 22: Redundancy tab & Transfer List tab Associated with CPE330

Parameters	Values
Redundancy Mode	Primary
Control Strategy	HSB
Fail Wait Time (mSec in 10 mSec Increments)	60
Redundancy Links	1
— Redundancy Link 1 —	
Rack Number	0
Slot Number	5

6. The CPE330, CPE400, and CPL410 all support two Redundant IP addresses, one for each of the embedded Ethernet LANs: LAN1 and LAN2 (Figure 23). For additional details, refer to Section 5.4.4, *Ethernet Interface Parameters*.
 - a. Redundant IP is disabled by default, so be sure to manually enable it whenever it is required for the application.
 - b. Redundant IP is supported by the SRTP Server, Modbus TCP Server, and EGD protocols.
 - c. The CPE330 OPC UA Server and Ethernet firmware update web page are available in a redundant system using the direct IP addresses of the primary and secondary CPUs; they are not available via the Redundant IP address.
7. RX3i PROFINET redundant applications may be migrated between CRU320, CPE330, CPE400, and CPL410.

Figure 23: Enable CPE330 Redundant IP (LAN1/LAN2)

Parameters	Values
IP Address	192.168.0.100
Subnet Mask	255.255.255.0
Gateway IP Address	0.0.0.0
Redundant IP	Enable
Redundant IP Address	192.168.0.103
Produce EGD on Redundant IP	False
--- Ethernet Global Data ---	
TTL for Multicast Messages	1
IP Address for Multicast Group 1	224.0.7.1
IP Address for Multicast Group 2	224.0.7.2
IP Address for Multicast Group 3	224.0.7.3
IP Address for Multicast Group 4	224.0.7.4
IP Address for Multicast Group 5	224.0.7.5

Restrictions for CPE330 Redundancy

1. In the CPE330, the PNC functionality is supported by Ethernet ports on LAN2, configured as an embedded PNC.
2. The number of PROFINET devices is limited to 32, 20 of which may be redundant.
3. RMX modules are required. High-speed LANs cannot be used as a substitute redundancy link.

5.2 PROFINET I/O Configuration

This section details how to configure an HSB CPU Redundancy system that uses redundantly controlled PROFINET I/O.

5.2.1 Requirements

When using redundantly controlled PROFINET I/O in an HSB CPU Redundancy system, the following requirements apply:

- The HSB CPU Redundancy system must be configured as a Dual HWC target. When you select a Redundant CPU, the programming software automatically presents the Dual HWC Target. The programming software will not permit redundantly controlled PROFINET I/O Devices to be configured in a standalone (non-redundant) target.
- Physically set up the CPU Redundancy Link. There are two methods, depending on CPU type:
- For RX3i rack-based systems, the HSB CPU Redundancy target can be configured with a minimum of one redundancy link (one RMX module in each unit). Any failed redundancy link should be repaired as soon as possible.
- For CPE400 and CPL410, both ports on LAN3 are used for Redundancy. This provides the high-speed Ethernet Communications link used in place of the traditional RMX modules. No other equipment may be introduced onto LAN3. Each port on the Primary CPU is directly connected to the equivalent port in the Backup (upper to upper and lower to lower). The system will operate with only one Ethernet link operating on LAN3, but both links should

be connected to provide for redundancy on the communications link itself.

- To be redundantly controlled, a PROFINET device must support PROFINET System Redundancy. In addition, be sure to use a GSDML file for the device (version 2.3 or later) which indicates that the device supports PROFINET System Redundancy.
- To ensure that they are configured consistently at both units, any additions, modifications, or deletions of redundantly controlled PROFINET I/O Devices must be configured in the Primary hardware configuration (HWC) and then mirrored to the Secondary HWC.
- All inputs assigned to redundantly controlled PROFINET I/O Devices must be included in the CPU's input transfer list. (This includes all inputs assigned to the PROFINET Scanner module.) All outputs assigned to redundantly controlled PROFINET IO Devices must be included in the CPU's output transfer list.
- All inputs and outputs assigned to redundantly-controlled PROFINET I/O Devices must be assigned to an I/O scan set that is scanned at every sweep (such as the default Scan Set 1).

5.2.2 Restrictions

When using redundantly controlled PROFINET I/O in an HSB CPU Redundancy system, the following restrictions apply:

- Do not use any other type of redundantly controlled I/O such as Genius devices or Ethernet NIUs.
- Do not use the DO_IO function block with redundantly controlled PROFINET inputs or outputs.
- Do not use the SCAN_SET_IO function block with redundantly controlled PROFINET inputs or outputs.
- Do not use the SUS_IO function block.
- Do not use the Skip Next I/O Scan (SVC_REQ 45) service request function block.
- Do not use the Disable Data Transfer Copy in Backup Unit (SVC_REQ 43) service request function block.
- Do not use I/O point fault contacts with redundantly controlled PROFINET outputs.

5.2.3 Generating the Hardware Configuration

To generate the hardware configuration for redundantly controlled PROFINET I/O

1. Add and configure the PROFINET I/O Controllers (PNCs) in the Primary HWC
2. Configure the LANs
3. Add the PROFINET I/O Devices to the Primary HWC
4. Mirror the Primary HWC to the Secondary HWC
5. Set any parameters unique to the Secondary HWC

Location of the PROFINET I/O Controller

In rack-mounted systems, first select an empty slot in the Primary HWC of the Navigator window, right-click it, select Add Module, and select the PROFINET I/O Controller. Then attach the PNC to a new or existing LAN.

In CPL410 systems, configure LAN2 as an embedded PROFINET Controller (refer to the *PACSystems RX3i IC695CPL410 1.2GHz 64MB Rackless CPU w/Linux Quick Start Guide*, GFK-3053).

In CPE400 systems, configure LAN2 as an embedded PROFINET Controller (refer to the *PACSystems RX3i IC695CPE400 1.2GHz 64MB Rackless CPU w/Field Agent Quick Start Guide*, GFK-3002).

In CPE330 systems, LAN2 may be configured as an embedded PROFINET Controller for redundantly controlled PROFINET I/O. (Refer to *PACSYSTEMS RX3i 1GHz 64MB CPU w/Ethernet Quick Start Guide*, GFK-2941.)

For more information regarding the configuration of the PROFINET IO Controller, refer to the *RX3i PROFINET Controller Manual*, GFK-2571, Chapter 3: *Configuration – Configuring an RX3i PROFINET Controller*.

Note: When redundantly-controlled I/O Devices are configured at a PNC module, the programming software always sets the Mirror to Secondary property for that PNC to True.

Configuring the PROFINET LANs

For information regarding how to configure a PROFINET LAN, refer to the *RX3i PROFINET Controller Manual*, GFK-2571, Chapter 3, *Configuration – Configuring PROFINET LANs*.

Transfer List Auto-Expansion

All inputs assigned to redundantly controlled PROFINET I/O Devices must be included in the CPU's input transfer list and all outputs assigned to redundantly controlled PROFINET I/O Devices must be included in the CPU's output transfer list.

For convenience, the programming software automatically expands the length of the input or output transfer list to include the reference addresses of any newly added or modified redundantly controlled PROFINET I/O devices or modules. Whenever you add a redundantly controlled PROFINET I/O Device or module, you should check the CPU's transfer list to ensure the adjusted starting addresses and lengths do not include reference memory that was not intended to be transferred. If the reference addresses assigned to redundantly controlled PROFINET I/O are already included in the current transfer list, the transfer list will not be modified by the programming software.

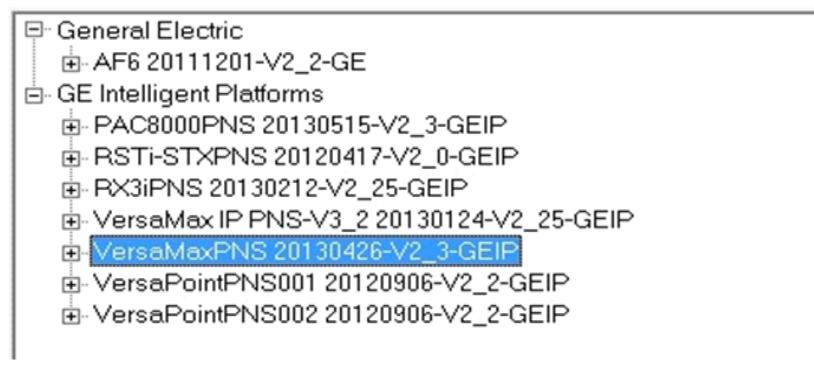
To avoid unintended inclusion of reference addresses in the transfer list, it is recommended that you allocate the memory ranges planned for redundantly controlled PROFINET I/O as a contiguous block near the end of the %I, %Q, %AI, or %AQ tables, allowing room for the future addition of redundantly controlled PROFINET I/O devices or modules. If the addition of future devices or modules using %I, %Q, %AI, or %AQ reference addresses is likely and must be done without stopping the process (refer to Section 5.2.5, *Adding or Modifying a PROFINET I/O Device without Stopping the Process*), adding some or all of the remaining memory to the transfer list can simplify the process, but is not necessary. For information regarding the CPU scan time impact per byte of memory added to the transfer list, refer to Section 6.6.2, *Estimating Data Transfer Time*.

Configuring Redundantly Controlled PROFINET Devices

To add a redundantly controlled PROFINET I/O device to the HWC, first select the PNC in the Primary HWC of the Navigator window, right-click on it, and select Add I/O Device.

In the PROFINET Device Catalog, select the entry that corresponds to the device. You must use a GSDML file for the device that is at least version 2.3 and indicates that the device supports PROFINET System Redundancy.

Figure 24: PROFINET Device Selection



For each device added, the programming software provides a Redundancy tab and sets the Redundancy Mode parameter on that tab to *HSB CPU Redundancy*.

For additional information regarding the configuration of the VersaMax PROFINET Scanner, refer to the *RX3i PROFINET Controller Manual*, GFK-2571, Chapter 3, *Configuration - Adding a VersaMax PROFINET Scanner to a LAN*.

Configuring Simplex PROFINET Devices

A Hot Standby CPU Redundancy system can contain both redundantly controlled and simplex (non-redundantly controlled) PROFINET I/O Devices. A simplex I/O Device is always controlled by one of the two units (either Primary or Secondary) and will always be controlled by that unit regardless of whether that unit is Active or Backup.

To configure a device that supports PROFINET System Redundancy as a simplex device for the Primary CPU, add that device to the Primary HWC

and set the Redundancy Mode parameter on its Redundancy tab to None.

To configure a device that supports PROFINET System Redundancy as a simplex device for the Secondary CPU, add that device to the Secondary CPU's HWC. The programmer automatically sets the Redundancy Mode parameter on its Redundancy tab to None.

During mirror operations, simplex devices in the Primary's HWC are not copied to the Secondary's HWC, and simplex devices in the Secondary's HWC are not affected.

Configuring PROFINET Media Redundancy

PROFINET media redundancy is described in the *RX3i PROFINET Controller Manual*, GFK-2571, Chapter 6, *Redundant Media*. All nodes participating in the media redundancy ring must be configured for media redundancy operation.

When using PROFINET media redundancy in an HSB CPU Redundancy system, configure the PROFINET Controller (PNC) module in the Primary CPU system as the media redundancy manager. All of the other nodes that participate in the ring (for example, the corresponding PNC module in the Secondary CPU, other PNC modules, I/O devices, other PNC modules, switches) must be configured as media redundancy clients. If the system uses multiple independent LANs, configure exactly one PNC module on each LAN as the media redundancy manager.

When a PNC is added to the HWC, it is not set up for media redundancy. A PNC module can be configured as either a media redundancy manager or client on the Media Redundancy tab according to the *RX3i PROFINET Controller Manual*, GFK-2571, Chapter 3, *Configuration*.

Note: To avoid network problems, be sure to follow the instructions in the *RX3i PROFINET Controller Manual*, GFK-2571, Chapter 6, *Redundant Media*, when initially setting up a media redundancy network, when enabling or disabling media redundancy in an I/O network, or when replacing a PNC module configured as the media redundancy manager.

Configuring Critical Network Ports

Critical Network Ports are described in the RX3i PROFINET Controller Manual, GFK-2571, Chapter 3, Configuration - PROFINET Controller Parameters (Settings Tab).

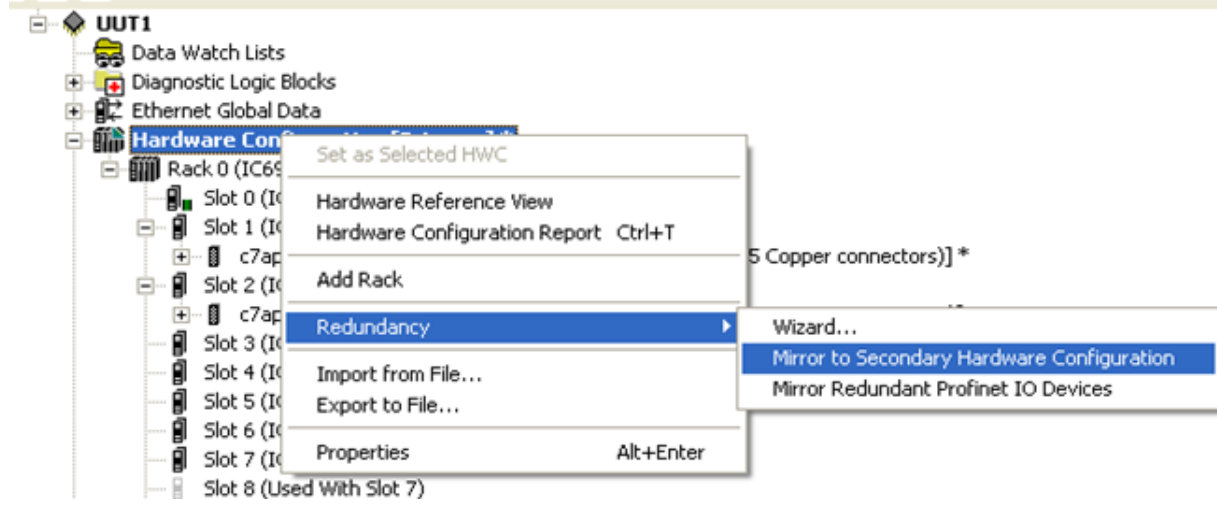
To force a role switch when one or more of the PROFINET Controller module's network ports is disconnected from the network, configure the desired network port(s) as critical. When all of the critical network ports are disconnected from their networks, the PROFINET Controller logs a diagnostic fault. If the PROFINET Controller is controlling redundant devices, the diagnostic fault results in a CPU redundancy role switch with the CPU placed into Stop/Fault mode.

Note: Detecting that 1000 Mbps copper fixed or copper SFP ports are disconnected (link loss) does not occur fast enough to invoke a role switch without losing devices. This is the result of the IEEE specification that states that copper ports running at 1000 Mbps must have a 750 ms link down detection time. Therefore, networks running at 100 Mbps are recommended as they have a very fast link down detection time. Also, copper fixed or copper SFP ports configured as Critical Network ports connected to 1000 Mbps networks are forced to auto-negotiate to 100 Mbps.

Synchronizing PROFINET I/O Configuration to Secondary Hardware Configuration

When you have finished adding, modifying, or deleting redundantly-controlled PROFINET I/O devices in the Primary configuration, you must synchronize those changes to the Secondary configuration. To do this, right-click the Hardware Configuration [Primary], choose Redundancy, and then choose Mirror to Secondary Hardware Configuration. This command copies the Primary's configuration (those modules that have their Mirror to Secondary property set to True) to the Secondary's configuration. The redundantly controlled PROFINET I/O devices are included in this copy.

Figure 25: Mirror Hardware Configuration to Secondary CPU



You will receive a prompt that this mirroring operation cannot be undone; select Yes to continue.

If this mirror operation has added a new PNC to the Secondary's HWC, be sure to set the following parameters for that PNC:

- The PROFINET Controller's Device Name
- The PROFINET Controller's IP Address

If this mirror operation has added a new Ethernet module to the Secondary's HWC, be sure to set the IP Address of that Ethernet Interface (refer to Section 5.4.4, *Ethernet Interface Parameters*).

After mirroring, check the following in the Primary and Secondary configurations:

- PNC device name and IP address are correct in the Secondary configuration. These parameters must be different from the Primary configuration.
- All redundantly-controlled PROFINET inputs are included in the Primary and Secondary CPUs' Input transfer lists.
- All redundantly controlled PROFINET outputs are included in the Primary and Secondary CPUs' Output transfer lists.

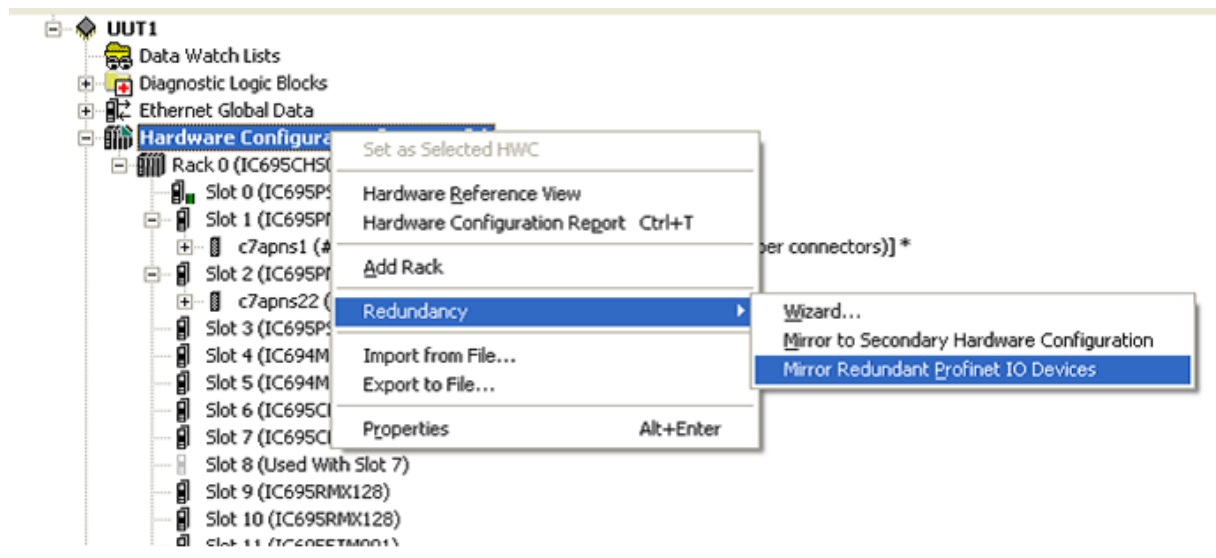
The Secondary CPU's transfer lists match the Primary CPU's transfer lists.

- The Ethernet module IP addresses are correct in the Secondary configuration.

Mirroring Redundantly Controlled PROFINET Devices to Secondary

When the only changes to an existing Primary hardware configuration are addition, modification, or deletion of redundantly-controlled PROFINET IO devices, you can choose to mirror only those devices to the Secondary configuration. To do this right-click the Hardware Configuration [Primary], choose Redundancy, and then choose Mirror Redundant PROFINET I/O Devices. This command copies only the redundantly-controlled PROFINET I/O devices from the Primary HWC to the Secondary HWC.

Figure 26: Mirror PROFINET I/O Devices to Secondary CPU



5.2.4 Downloading PROFINET I/O Configuration to the HSB CPU Redundancy System

This section describes recommended sequences for downloading configurations containing PROFINET I/O from the PAC Machine Edition programming software into an HSB CPU redundancy system. Before downloading, generate the Primary and Secondary configurations as described in Section 5.2.3, *Generating the Hardware Configuration*.

The recommended download sequence varies according to the situation:

- Initial Download to Redundancy System
- Download a Modified Configuration to a Redundancy System – Stopping the Process
- Add/Modify a PROFINET Device Using Reference Memory without Stopping the Process
- Add/Modify a PROFINET Device Using I/O Variables without Stopping the Process

Initial Download to Redundancy System

This is the sequence for downloading configurations into a new redundancy system. Both units are initially stopped with no configuration. For this procedure refer to Section 2:, *RX3i Hot Standby Redundancy Quick Start with PROFINET I/O*.

Download a Modified Configuration to a Redundancy System – Stopping the Process

This is the sequence for downloading modified configurations to a redundant target that is already configured and running. Either unit can be the Active unit. This download sequence stops both units.

1. Stop and Clear the Secondary CPU.
 - a. Select the Secondary CPU. Stop the Secondary CPU. If the Secondary CPU was the Active unit, the Primary CPU becomes the Active unit.

- b. Clear the Secondary CPU's HWC. (If logic and HWC are coupled, select Program option in the Clear Memory dialog; this will clear both logic and HWC.
 - c. Clear the Secondary CPU's Controller and I/O Fault Tables.
 2. Stop and Download the Primary CPU
 - a. Select the Primary CPU. Stop the Primary CPU.
 - b. Expect the Primary CPU to log a Loss of Device and an Add'n of Device fault for each redundantly controlled I/O Device. For example:

0.1.D2	Add'n of Device
0.1.D2	Loss of Device
 - c. Clear the Primary CPU's Controller and I/O Fault Tables.
 - d. Download the revised HWC to the Primary CPU. (If logic and HWC are coupled, select both Hardware Configuration and Logic in the Download to Controller dialog.)

Expect the Primary CPU to log a Redundancy link communication failure Controller fault for each RMX module. For example:

0.9	Redundancy link communication failure
0.10	Redundancy link communication failure
 - e. Confirm that the Primary CPU did not record any unexpected Loss of Device faults in its I/O Fault table.
3. Download the Secondary CPU
 - a. Select the Secondary CPU.
 - b. Download the revised HWC to the Secondary CPU. (If logic and HWC are coupled, select Hardware Configuration and Logic in the Download to Controller dialog.)
 - c. Confirm that the LINK OK LEDs are ON for both RMX modules in both units (this could take a few seconds)
 - d. Confirm that the Secondary CPU did not record any unexpected Loss of Device faults in its I/O fault table.

4. Start the Primary and Secondary CPUs
 - a. Select the Primary CPU and put it into Run mode.
 - b. Select the Secondary CPU and put it into Run mode.
5. [Optional] The logic application in the Primary and Secondary CPUs can examine the All Devices Connected module status bit at each PNC module.

5.2.5 Adding or Modifying a PROFINET I/O Device without Stopping the Process

It is possible to add a new redundantly controlled PROFINET IO device, or add I/O module(s) to an existing redundantly controlled PROFINET I/O device in an HSB CPU redundancy system that is already running without stopping the application process. The procedures differ, depending upon whether the PROFINET I/O device uses reference memory or I/O variables. Both procedures are presented below.

Add/Modify a PROFINET Device Using Reference Memory without Stopping the Process

If the new I/O Device or new I/O module(s) will use reference memory, use this procedure. If the new reference memory locations are not already in the transfer lists, you must first modify the transfer lists and execute a dual run-mode-store of the revised transfer lists before you add the new I/O device and/or I/O module(s) to the configuration.

WARNING

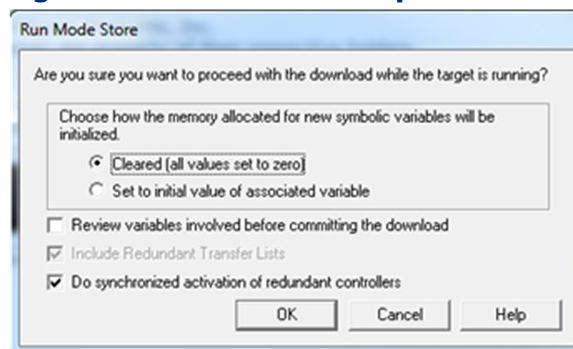
This procedure allows you to modify a device's Hardware Configuration without stopping the process that is being controlled. However, that device's inputs and outputs will default and remain defaulted for a short time during this procedure.

When adding a new I/O device, determine the I/O network on which you will add this device. If you have not already assigned the network name for this device, assign it now. You can do this from the programming software by right-clicking the PNC module and selecting Launch Discovery Tool. For more information, refer to the *PACSystems RX3i PROFINET Controller Manual*, GFK-2571, Chapter 3, *Configuration - Assigning I/O Device Names*.

Update Transfer Lists

1. Display the Primary CPU's Transfer List tab. Record the starting addresses and lengths for %I and %AI of the Input Transfer Point. Record the starting addresses and lengths for the %Q and %AQ of the Output Transfer Point.
2. Determine the list of modules to be added to the device. (For a new device, also include the head-end in the list.) Use this module list during steps 3 of this section and step 2 in Section *Add new Devices and/or Modules to Hardware Configuration* below.
3. For each module in the list, determine the reference memory ranges to be added for this module. Then determine the overall reference memory ranges used by this new or modified device.
4. If the overall reference memory ranges for this device are already present in the CPU's transfer lists, the transfer lists do not need to be revised. Proceed to step 1 in Section *Add new Devices and/or Modules to Hardware Configuration* to edit and download the Hardware Configuration.
5. If the overall reference memory ranges for this device fall outside of the CPU's transfer lists, edit the Primary CPU's transfer list to include the reference memory ranges used by this device. Also, update the Transfer List starting addresses and lengths.
6. Confirm that both the Primary and Secondary CPUs are in Run mode and that the LINK OK LEDs are ON for both RMX modules in both units.
7. Connect the programming software to the Primary CPU.
8. Initiate a download to the controller. Be sure to leave the box next to *Do synchronized activation of redundant controllers* checked. Press OK.

Figure 27: Run Mode Store Options at Download



9. Disconnect the programming software.
10. Connect the programming software to the Secondary CPU.
11. Initiate a download to the controller. Be sure to leave the box next to Do synchronized activation of redundant controllers checked. Press OK.
12. Disconnect the programming software.

Add new Devices and/or Modules to Hardware Configuration

1. For a new device, add the new device to the Primary CPU's Hardware Configuration.
2. Add modules to the device in the Primary CPU's Hardware Configuration. For each module in a new device (including the head-end), or each new module in an existing device, do the following:
 - a. Make sure the module's Variable Mode property to False (the default value).
 - b. Set the module's Reference Address parameters. (These were recorded in the module list.
3. Display the Primary CPU's Transfer List tab and readjust the CPU Transfer Lists to the reference memory ranges that you previously recorded. Set the starting addresses and lengths for %I and %AI of the Input Transfer Point to the recorded values. Set the starting addresses and lengths for the %Q and %AQ of the Output Transfer Point to the recorded values.

Note: During validation, the programming software automatically mirrors redundantly controlled PROFINET devices from the Primary hardware configuration to the Secondary hardware configuration. You do not need to manually mirror the new or modified PROFINET device.

Download Hardware Configuration to Both Units

1. Connect the programming software to the Backup unit.
2. Stop the Backup unit.
3. Initiate a download to the controller. Select Hardware Configuration in the Download to Controller dialog. When the download completes:

If changing the configuration of an existing device:

- a. Confirm that the LINK OK LEDs are ON for both RMX modules in both units (this may take a few seconds).
- b. Wait approximately 10 seconds to give the stopped unit time to connect to all of its unmodified PROFINET devices.

0.5.D2 Loss of Device

- c. Expect this unit to log a Loss of Device fault in its I/O Fault table for the device undergoing Hardware Configuration changes. This occurs because this unit's copy of the device's Hardware Configuration does not match the other unit's copy.
- d. Because at least one configured device is not connected, the ACTIVE LED on the corresponding PNC should become solid amber.
- e. Confirm that the stopped unit did not record any unexpected Loss of Device faults in its I/O fault table.

Note: If a role switch or a controlled takeover occurs before a device connects to this unit, that device's inputs and outputs will default.

If adding a new device only:

- a. Confirm that the LINK OK LEDs are ON for both RMX modules in both units (this may take a few seconds)
- b. Wait approximately 10 seconds to give the stopped unit time to connect to all of its unmodified PROFINET devices.
- c. If all of the devices configured for a PNC are present, that PNC's ACTIVE LED should become solid green. If one or more devices are not present, confirm that the stopped

unit did not record any unexpected Loss of Device faults in its I/O Fault table.

- d. Put the stopped unit into Run mode.

Note: If a role switch or a controlled takeover occurs before a device connects to this unit, that device's inputs and outputs will default.

If adding a new device only:

Optional: If you would like to switch control to this unit before it happens automatically in step c, you can request a role switch now.

- a. Disconnect the programming software.
- b. Connect the programming software to the other unit.
- c. Stop that unit

If changing the configuration of an existing device:

- a. The modified device's inputs and outputs will default and remain defaulted until step c.
- b. The stopped unit will log a Loss of Device fault for that device in its I/O Fault table.
0.5.D2 Loss of Device
- c. The stopped unit may log an Add'n of Device fault for that device in its I/O Fault table.
0.5.D2 Add'n of Device
- d. Initiate a download to the controller. Select Hardware Configuration in the Download to Controller dialog. When the download completes:
- e. Confirm that the LINK OK LEDs are ON for both RMX modules in both units (this may take a few seconds).
- f. Wait approximately 10 seconds to give the stopped unit time to connect to all of its PROFINET devices.

If changing the configuration of an existing device:

Within this 10-second interval, expect I/O to resume on the device that was modified, and expect the running unit to log an Add'n of Device fault for that device in its I/O Fault Table.

0.5.D2 Add'n of Device

- a. If all of the devices configured for a PNC are present, that PNC's ACTIVE LED should become solid green. If one or

more devices are not present, confirm that the stopped unit did not record any unexpected Loss of Device faults in its I/O fault table.

Note: If a role switch or a controlled takeover occurs before a device connects to this unit, that device's inputs and outputs will default.

- b. Put the stopped unit into Run mode. This unit now becomes the Backup unit. If desired, request a role switch to make this unit the Active unit
- c. Disconnect the programming software.

Add/Modify a PROFINET Device Using I/O Variables without Stopping the Process

This is the sequence for adding a new PROFINET I/O device or adding IO modules(s) to an existing PROFINET I/O device, when the PROFINET IO device uses I/O variables.

If the new I/O Device or new I/O module(s) will use I/O Variables, use this procedure. This procedure requires you to create the I/O variables and execute a dual run-mode store of the revised transfer lists **before** you add the new I/O device and/or I/O module(s) to the configuration.

WARNING

This procedure allows you to modify a device's Hardware Configuration without stopping the process that is being controlled. However, that device's inputs and outputs will default and remain defaulted for a short period during this procedure.

1. When adding a new I/O device, determine the I/O network on which you will add this device. If you have not already assigned the network name for this device, assign it now. You can do this from the programming software by right-clicking on the PNC module and selecting Launch Discovery Tool. For more information, refer to the *PACSystems RX3i PROFINET Controller Manual*, GFK-2571, Chapter 3, *Configuration - Assigning I/O Device Names*.

Create I/O Variables

1. Display the Primary CPU's Transfer List tab. Record the starting addresses and lengths for %I and %AI of the Input Transfer Point. Record the starting addresses and lengths for the %Q and %AQ of the Output Transfer Point.
2. Determine the list of modules to be added to the device. (For a new device, also include the head-end in the list.) Use this list during steps 3 through 6 below.

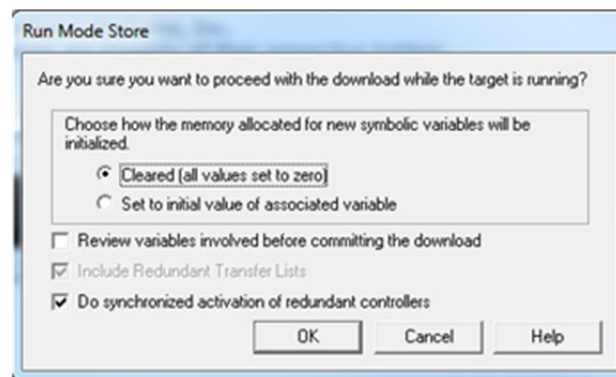
Note: Do not add the device or module(s) to the Hardware Configuration until step 1.

3. For each module in your list that will have discrete inputs:
 - a. Create a new variable of Data Type BOOL.
 - b. Set the Array Dimension 1 property to the number of input points provided by the module.
 - c. Set the Ref Address property to an unused %I location.
 - d. Set the Input Transfer List property to True.
4. For each module in your list that will have discrete outputs:
 - a. Create a new variable of Data Type BOOL.
 - b. Set the Array Dimension 1 property to the number of output points provided by the module.
 - c. Set the Ref Address property to an unused %Q location.
 - d. Set the Output Transfer List property to True.
5. For each module in your list that will have analog inputs:
 - a. Create a new variable of Data Type WORD.
 - b. Set the Array Dimension 1 property to the number of channels provided by the module.
 - c. Set the Ref Address property to an unused %AI location.
 - d. Set the Input Transfer List property to True.
6. For each module in your list that will have analog outputs:
 - a. Create a new symbolic variable of Data Type WORD.
 - b. Set the Array Dimension 1 property to the number of channels provided by the module.
 - c. Set the Ref Address property to an unused %AQ location.
 - d. Set the Output Transfer List property to True.

Download the Revised Transfer Lists to Both Units (Dual Run-mode Store)

1. Confirm that both the Primary and Secondary CPUs are in Run mode and that the LINK OK LEDs are ON for both RMX modules in both units.
2. Connect the programming software to the Primary CPU.
3. Initiate a download to the controller. Be sure to leave the box next to Do synchronized activation of redundant controllers checked. Press OK

Figure 28: Run Mode Store Options at Download



4. Disconnect the programming software.
5. Connect the programming software to the Secondary CPU.
6. Initiate a download to the controller. Be sure to leave the box next to Do synchronized activation of redundant controllers checked. Press OK.
7. Disconnect the programming software.

Add new Devices and/or Modules to Hardware Configuration

1. For a new device, add the new device to the Primary CPU's Hardware Configuration.
2. Add modules to the device in the Primary CPU's Hardware Configuration. For each module in a new device (including the head-end), or each new module in an existing device, do the following:
 - a. Set the module's Variable Mode property to True
 - b. Select the module's Terminals tab.

- c. For each group of inputs and outputs shown on this tab, right-click on the first point and select Map Variable. Select the variable that you created for this group during steps 3 through 6.
3. Visit the Primary CPU's Transfer List tab and readjust the CPU Transfer Lists to the original reference memory ranges as recorded in step 1. Set the starting addresses and lengths for %I and %AI of the Input Transfer Point to the recorded values. Set the starting addresses and lengths for the %Q and %AQ of the Output Transfer Point to the recorded values.

Note: During validation, the programming software automatically mirrors redundantly controlled PROFINET devices from the Primary hardware configuration to the Secondary hardware configuration. The user does not need to manually mirror the new or modified PROFINET device.
4. Download Hardware Configuration to Both Units.
5. Connect the programming software to the Backup unit.
6. Stop the Backup unit.
7. Initiate a download to the controller. Be sure to select both Hardware Configuration and Logic in the Download to Controller dialog. When the download completes:

If changing the configuration of an existing device:

- a. Confirm that the LINK OK LEDs are ON for both RMX modules in both units (this may take a few seconds).
- b. Wait approximately 10 seconds to give the stopped unit time to connect to all of its unmodified PROFINET devices.
- c. Expect this unit to log a Loss of Device fault in its I/O fault table for the device undergoing Hardware Configuration changes. This occurs because this unit's copy of the device's Hardware Configuration does not match the other unit's copy.

0.5.D2	Loss of Device
--------	----------------
- d. Because at least one configured device is not connected, the ACTIVE LED on the corresponding PNC should become solid amber.

- e. Confirm that the stopped unit did not record any unexpected Loss of Device faults in its I/O fault table.

Note: If a role switch or a controlled takeover occurs before a device connects to this unit, that device's inputs and outputs will default.

If adding a new device only:

- a. Confirm that the LINK OK LEDs are ON for both RMX modules in both units (this may take a few seconds).
- b. Wait approximately 10 seconds to give the stopped unit time to connect to all of its unmodified PROFINET devices.
- c. If all of the devices configured for a PNC are present, that PNC's ACTIVE LED should become solid green. If one or more devices are not present, confirm that the stopped unit did not record any unexpected Loss of Device faults in its I/O fault table.

Note: If a role switch or a controlled takeover occurs before a device connects to this unit, that device's inputs and outputs will default.

- d. Put the stopped unit into Run mode.

If adding a new device only:

Optional: If you would like to switch control to this unit before it happens automatically in step c, you can request a role switch now.

- a. Disconnect the programming software.
- b. Connect the programming software to the other unit.
- c. Stop that unit.

If changing the configuration of an existing device:

- a. The modified device's inputs and outputs will default and remain defaulted until step c.
- b. The stopped unit will log a Loss of Device fault for that device in its I/O fault table.

0.5.D2 Loss of Device

The stopped unit may log an Add'n of Device fault for that device in its I/O fault table.

0.5.D2

Add'n of Device

- c. Initiate a download to the controller. Be sure to select both Hardware Configuration and Logic in the Download to Controller dialog. When the download completes:
 - i. Confirm that the LINK OK LEDs are ON for both RMX modules in both units (this may take a few seconds).
 - ii. Wait approximately 10 seconds to give the stopped unit time to connect to all of its PROFINET devices.

If changing the configuration of an existing device:

Within this 10-second interval, expect I/O to resume on the device that was modified, and expect the running unit to log an Add'n of Device fault for that device in its I/O fault table.

0.5.D2 Add'n of Device

- a. If all of the devices configured for a PNC are present, that PNC's ACTIVE LED should become solid green. If one or more devices are not present, confirm that the stopped unit did not record any unexpected Loss of Device faults in its I/O fault table.

Note: If a role switch or a controlled takeover occurs before a device connects to this unit, that device's inputs and outputs will default.

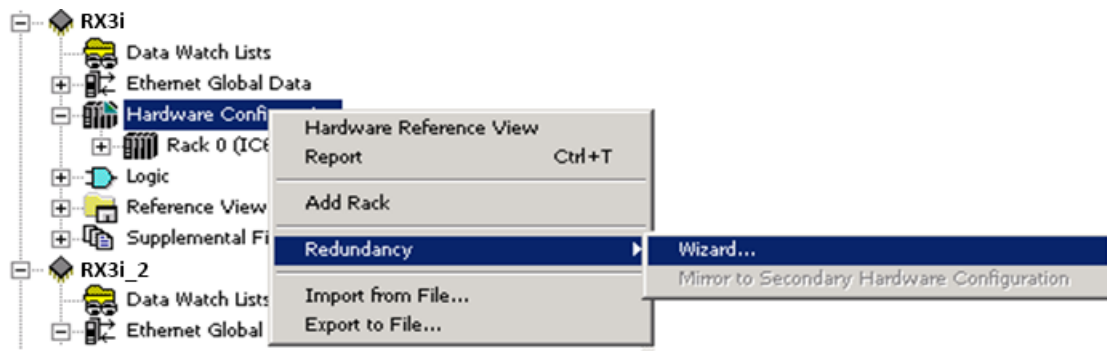
- b. Put the stopped unit into run mode. This unit now becomes the Backup unit. If desired, request a role switch to make this unit the Active unit.
- c. Disconnect the programming software.

5.3 Using the Redundancy Wizards

Machine Edition software provides redundancy wizards to create a hardware configuration with the correct parameter settings for the redundancy scheme that you choose. Refer to Section 5.4 Hardware Configuration Parameters.

for details on parameters specific to redundancy systems. To launch the wizard, go to the Navigation window, right-click Hardware Configuration, point to **Redundancy**, and then choose **Wizard**.

Figure 29: PME Redundancy Wizard



5.3.1 To configure a Hot Standby CPU Redundancy system using the wizards:

1. Run the Set up Primary Hardware Configuration for CPU Redundancy wizard. This wizard configures a redundant CPU in slot 1 of the main rack and allows you to select the location of the RMX modules used for redundancy links.
2. Complete configuration of all parameters for the Primary CPU.
3. When you have finished configuring the Primary CPU, run the Generate Secondary Hardware Configuration from the Current Configuration wizard. This wizard copies the Primary hardware configuration to the Secondary configuration and adjusts appropriate parameters for the Secondary configuration.
4. Edit the configuration parameters for each item in the Secondary CPU's hardware configuration that is unique for the Secondary CPU (for example, the Secondary CPU's direct IP address and the CPU's SNP ID).

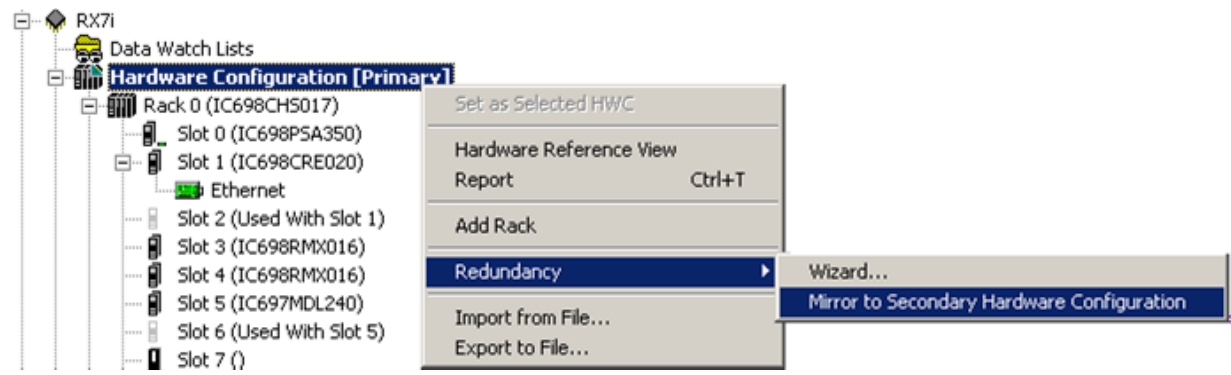
5.3.2 Synchronizing the Hardware Configurations

To synchronize the two configurations (after making changes to the Primary configuration or uploading a different Primary configuration), right-click Hardware Configuration, choose Redundancy, and Mirror to Secondary Hardware Configuration. This command copies the Primary hardware configuration to the Secondary configuration and adjusts appropriate parameters for the Secondary configuration.

Note: You can control whether the contents of specific slots in the Primary configuration are copied to the Secondary configuration. If the Mirror to Secondary property for a slot is set to True (default), the configured module in that slot in the Primary configuration overwrites the corresponding slot in the Secondary configuration. I/O variables associated with a module in the Primary configuration are copied to the corresponding module in the Secondary configuration.

To prevent a slot from being mirrored, set this property to False.

Figure 30: PME Command to Mirror Configuration to Secondary Controller



5.4 Hardware Configuration Parameters

5.4.1 CPU Parameters

This section discusses only the parameters that apply to redundancy systems. For information on all the CPU parameters, refer to the *PACSystems RX3i and RSTi-EP CPU Reference Manual*, GFK-2222.

Settings

Table 7: Hardware Configuration Parameter Definitions

Parameter	Default	Choices	Description
Stop-Mode I/O Scanning	Disabled	N/A	Always Disabled for a Redundant CPU.
Watchdog Timer (ms)	200	10 through 1000, in increments of 10 ms Requires a value that is greater than the program sweep time.	The watchdog timer, which is designed to detect failure to complete sweep conditions, is useful in detecting abnormal operation of the application program, which could prevent the CPU sweep from completing within a specified time period. The CPU restarts the watchdog timer at the beginning of each sweep. The watchdog timer accumulates time during the sweep. In a CPU redundancy system, the watchdog timer should be set to allow for the maximum expected scan time plus two fail wait times. (The Fail Wait parameter is set on the Redundancy tab.) Furthermore, the watchdog timer setting must allow enough time for the CPU to complete one input data transfer and two output data transfers.

5.4.2 Scan Parameters

Communications Window Considerations

The redundant CPU supports the use of high-speed communications modules such as the Ethernet Interface. Requests from devices attached to these communications modules are handled in the Controller and Backplane Communications windows. Because these requests can be

sent in large volumes, there is the potential for either of these windows to be processing requests for a significant amount of time.

One way to reduce the risk of one CPU failing to rendezvous at a synchronization point with the other CPU is to configure the Controller and Backplane Communications windows for Limited Window mode. This sets a maximum time for these windows to run.

Other options are to configure the CPU sweep mode as Constant Window or Constant Sweep. The CPU will then cycle through the communications and background windows for approximately the same amount of time in both units.

Parameter	Default	Choices	Description
Sweep Mode	Normal	Normal Constant Window Constant Sweep.	For details on sweep modes, refer to the <i>PACSystems RX3i and RSTi-EP CPU Reference Manual</i> , GFK-2222.
Controller Communications Window Mode	Limited	Limited: Time sliced. The maximum execution time for the Controller Communications Window per scan is specified in the Controller Communications Window Timer parameter. Complete: The window runs to completion. There is no time limit.	(Available only when Sweep Mode is set to Normal.) Execution settings for the Controller Communications Window.
Controller Communications Window Timer	Controller Communications Window Mode is: Limited: 10 Complete: There is no time limit.	Controller Communications Window Mode is: Limited: 0 through 255 ms. Complete: Read only. There is no time limit.	The maximum execution time for the Controller Communications Window per scan.
Backplane Communications Window Mode	Limited	Limited: Time sliced. The maximum execution time for the Backplane Communications Window per scan is specified in the Backplane Communications Window Timer parameter. Complete: The window runs to completion. There is no time limit.	(Available only when Sweep Mode is set to Normal.) Execution settings for the Backplane Communications Window.

Parameter	Default	Choices	Description
Backplane Communications Window Timer (ms)	10 ms for Limited mode	Limited: Valid range: 0 through 255 ms. Complete: Read only. There is no time limit.	(Available only when Sweep Mode is set to Normal.) The maximum execution time for the Backplane Communications Window per scan. This value can be greater than the value for the watchdog timer. It is highly recommended that this parameter be set to the same value for both CPUs in a redundancy pair.
Background Window Timer	5 ms	0 through 255 ms	Setting the background window time to zero disables the background RAM tests.
Sweep Timer (ms)	100 ms	5 through 2550 ms, in increments of 5. If the value typed is not a multiple of 5ms, it is rounded to the next highest valid value.	(Available only when Sweep Mode is set to Constant Sweep.) The maximum overall controller scan time. This value cannot be greater than the value for the watchdog timer. Some or all of the windows at the end of the sweep might not be executed. The windows terminate when the overall sweep time has reached the value specified for the Sweep Timer parameter.
Window Timer (ms)	10	3 through 255, in increments of 1.	(Available only when Sweep Mode is set to Constant Window.) The maximum combined execution time per scan for the Controller Communications Window, Backplane Communications Window, and Background Communications Window. This value cannot be greater than the value for the watchdog timer.

Parameter	Default	Choices	Description
Number of Last Scans	0	0–5 (Should be set to 0.)	The number of scans to execute after the PACSystems CPU receives an indication that a transition from Run to Stop mode should occur. In a redundancy system, this parameter should be set to 0 (default). Using a non-zero value would allow a unit to stay in RUN mode for a few sweeps after detecting a fatal fault.

Memory Parameters

Point Fault References

For applications that use redundantly controlled PROFINET I/O, the use of input point faults is strongly recommended. By default, point faults are disabled; they must be enabled in the CPU configuration. Select the CPU module; in the Memory tab set the Point Fault References parameters to Enabled. For further details, refer to the *PACSystems RX3i and RSTi-EP CPU Reference Manual, GFK-2222*.

Fault Parameters

Table 8: Fault Parameter Definition

Parameter	Default	Choices	Description
Recoverable Local Memory Error	Diagnostic	Diagnostic Fatal	Redundant CPUs only. Determines whether a single-bit ECC error causes the CPU to stop or allows it to continue running. Note that this fault configuration parameter must be added to the CPL410/CPE400/CPE330 PME hardware configuration.

Redundancy Parameters

Table 9: Redundancy Parameter Definitions

Parameter	Default	Choices	Description
Redundancy Mode	Primary	Primary Secondary (Read-only when the Dual HWC target property is set to True.)	Specifies whether the current Hardware Configuration is Primary or Secondary. When the Dual HWC target property is set to True, one Hardware Configuration is automatically set to Primary, and the other to Secondary.
Control Strategy	HSB	HSB	Selects the HSB control strategy.
Fail Wait Time	60	40 through 400 ms, in increments of 10 ms.	The maximum amount of time this CPU waits for the other CPU to reach a synchronization point. For recommendations on setting Fail Wait Time, refer to Section 6.5 Fail Wait Time.
Redundancy Links	Determined by number of redundancy links configured for this unit.	Read-only 0: The CPU behaves as a redundant CPU without a Backup. 1: The CPU behaves as a redundant CPU with one redundancy link. 2: The CPU behaves as a redundant CPU with two redundancy links. – Strongly Recommended	The number of redundancy links configured for this unit. Each redundancy link is a pair of RMX modules (one in each unit) that have the Redundancy Link parameter set to Enabled.
— Redundancy Link 1 —			
Rack Number	0	(Read only) 0	The rack location of the first RMX module. (Shown only if the Redundancy Links parameter is 1 or 2.)
Slot Number	Determined by slot location of RMX module.	(Read only)	The slot location of the first RMX module. (Shown only if the Redundancy Links parameter is 1 or 2.)

Parameter	Default	Choices	Description
— Redundancy Link 2 —			
Rack Number	0	(Read only) 0	The rack location of the second redundancy link. (Shown only if the Redundancy Links parameter is 2.)
Slot Number	Determined by slot location of RMX module.	(Read only)	The slot location of the second redundancy link. (Shown only if the Redundancy Links parameter is 2.)

Transfer List

Use this tab to select the ranges of references that will be transferred from the Active unit to the Backup unit. If the program logic requires identical input values for the two units, those references must be included in the input transfer list.

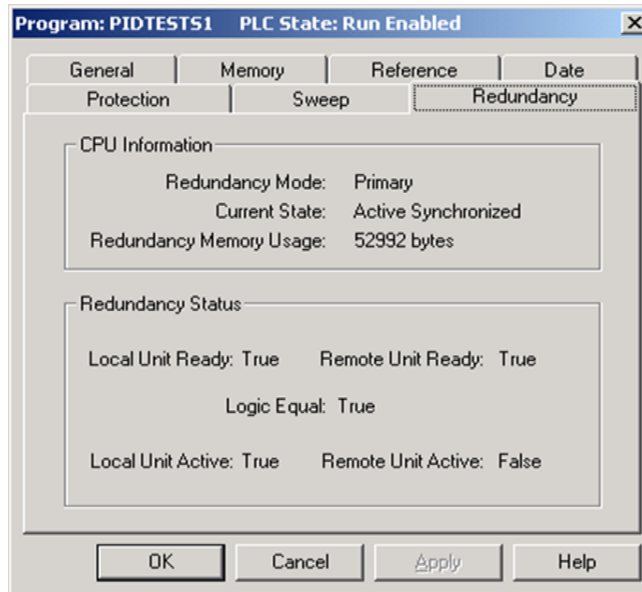
A maximum of 2 Mbytes of data can be included in the transfer list. The amount of data transferred is also limited by the amount of user memory consumption. Overrides and Legacy-style Transitions are transferred for any specified discrete transfer data, as well as point fault information for transferred discrete and analog data if Point Faults are enabled. Transferred data, along with user program, configuration, and reference memory size, etc. all count against the user memory size and contributes to the CPU scan time.

Because the redundancy transfer list is part of hardware configuration, the transfer lists in both units must be the same for synchronization to occur.

Note: Individual variables can also be configured as transferred variables in either or both the input and output transfer lists. For details, refer to the Section 5.5, Adding Individual Variables to the Transfer Lists.

To view the amount of memory used for transfer data (redundancy memory usage), go online and store the configuration. Then right click the Target, choose Online Commands, and select Show Status. In the status dialog box, select the Redundancy tab.

Figure 31: Display of Redundancy Memory Usage



Parameter	Default	Choices	Description
Input/Output Transfer Point			
%I Reference	%I00001	This address must be byte-aligned, that is, it must have a value of $8n + 1$. Example: %I00025 where $25 = (8 \times 3) + 1$.	The starting address for the range of %I references that are synchronized between the redundant CPUs.
%I Length	0	0 through $(32,768 - Iref + 1)$, in increments of 8, where Iref = the value set in the %I Reference parameter.	The number of %I references that are synchronized between the redundant CPUs.
%Q Reference	%Q00001	This address must be byte-aligned, that is, it must have a value of $8n + 1$. Example: %Q00049, where $49 = (8 \times 6) + 1$.	The starting address for the range of %Q references that are synchronized between the redundant CPUs.
%Q Length	0	0 through $(32,768 - Qref + 1)$, in increments of 8, where Qref = the value set in the % Q Reference parameter.	The number of %Q references that are synchronized between the redundant CPUs.
%M Reference	%M00001	This address must be byte-aligned, that is, it must have a value of $8n + 1$. Example: %M00121, where $121 = (8 \times 15) + 1$.	The starting address for the range of %M references that are synchronized between the redundant CPUs.
%M Length	0	0 through $(32,768 - Mref + 1)$, in increments of 8, where Mref = the value set in the % M Reference parameter.	The number of %M references that are synchronized between the redundant CPUs.
%G Reference	%G00001	This address must be byte-aligned, that is, it must have a value of $8n + 1$. Example: %G00081, where $81 = (8 \times 10) + 1$.	The starting address for the range of %G references that are synchronized between the redundant CPUs.

Parameter	Default	Choices	Description
%G Length	0	0 through (7,680 - Gref + 1), in increments of 8, where Gref = the value set in the % G Reference parameter.	The number of %G references that are synchronized between the redundant CPUs
%AI Reference	%AI00001	The limit configured for %AI references is based on values provided in the Memory tab. The value of the beginning references plus the value of the length must be less than, or equal to, the configured limit.	The starting address for the range of %AI references that are synchronized between the redundant CPUs.
%AI Length	0	0 through (AIul - AIref + 1), where AIul = the upper limit of %AI memory configured on the Memory tab, and AIref = the value set in the %AI Reference parameter.	The number of %AI references that are synchronized between the redundant CPUs.
%AQ Reference	%AQ00001	The limit configured for %AQ references is based on values provided in the Memory tab. The value of the beginning reference address plus the value of the length must be less than, or equal to, the configured limit.	The starting address for the range of %AQ references that are synchronized between the redundant CPUs.
%AQ Length	0	0 through (AQul - AQref + 1), where AQul = the upper limit of %AQ memory configured on the Memory tab, and AQref = the value set in the % AQ Reference parameter.	The number of %AQ reference addresses that are synchronized between the redundant CPUs. The limit configured for %AQ references is based on values provided in the Memory tab. The value of the beginning reference plus the value of the length must be less than, or equal to, the configured limit.
%R Reference	%R00001	The limit configured for %R references is based on values provided in the Memory tab. The value of the beginning references plus the value of the length must be less than, or equal to, the configured limit.	The starting address for the range of %R references that are synchronized between the redundant CPUs.
%R Length	0	0 through (Rul - Rref + 1), where Rul = the upper limit of %R memory configured on the Memory tab, and Rref = the value set in the %R Reference parameter.	The number of %R reference addresses that are synchronized between the redundant CPUs. The limit configured for %R references is based on values provided in the Memory tab. The value of the beginning address plus the value of the length must be less than, or equal to, the configured limit.
%W Reference	%W00001	The limit configured for %W references is based on values provided in the Memory tab. The value of the beginning reference address plus the value of the length must be less than, or equal to, the configured limit.	The starting address for the range of %W references that are synchronized between the redundant CPUs.

Parameter	Default	Choices	Description
%W Length	0	0 through (Wul - Wref + 1), where Wul = the upper limit of %W memory configured on the Memory tab, and Wref = the value set in the %W Reference parameter.	The number of %W references that are synchronized between the redundant CPUs. The limit configured for %W references is based on values provided in the Memory tab. The value of the beginning reference address plus the value of the length must be less than, or equal to, the configured limit.

Genius HSB

If the program logic requires identical input values for the two units, those references (including Genius inputs) must be included in the input transfer list.

You must include all redundant Genius outputs, (that is, those %Q and %AQ references tied to redundant Genius devices, in the output transfer list). Failure to do so will result in the Primary CPU always determining the output values, even when it is the Backup unit.

By default, Machine Edition generates an error and prevents storing of the configuration if a redundant output is not included in the transfer list. For special situations, you can adjust the Target property, Genius Output, to generate a warning instead.

Note: In an RX3i CPU Redundancy system, when a GBC is configured as Redundant Controller External, all its outputs are redundant.

5.4.3 Redundancy Memory Xchange Module Parameters

Table 10: Redundancy Memory Xchange Module Parameters

Parameter	Default	Choices	Description
Redundancy Link	Enabled	Enabled Disabled	If the RMX module is being used as a redundancy link, this parameter must be set to Enabled. An RMX module being used as a redundancy link cannot be used as a general-purpose reflective memory module. All the reflective memory parameters are unavailable, and the Interrupt parameter is set to Disabled.

5.4.4 Ethernet Interface Parameters

Each unit contains at least one Ethernet interface that is assigned a direct IP address used to directly access the specific unit. A third, redundant, IP address can be assigned to the pair of Ethernet interfaces in both the Primary and Secondary CPUs. The redundant IP address is active on the Ethernet interface in only one of the units at a time, the Active unit. All data sent to the redundant IP address (including EGD produced to the redundant IP address) is handled by the Active unit. When active, the Ethernet interface always initiates communications using the redundant IP address. (EGD production is the only exception. EGD production can be configured to use either the direct or redundant IP address as the source IP address.) When the unit is not active, all communications are initiated through the direct IP address. For more information about the Redundant IP address, refer to Section 6.16, *Redundant IP Addresses*.

You can have up to four Ethernet interfaces in each rack, including the embedded Ethernet interface in an CPU. Each Ethernet interface can be set up as part of a pair for the purposes of redundant IP. (You can also include Ethernet interfaces in the unit that are not part of a redundant IP pair.)

When an Ethernet Interface is configured to produce Ethernet Global Data (EGD), you must configure a redundant IP address in addition to the direct IP address. For more information about using EGD in a redundancy system, refer to Section 6: *Operation*.

Table 11: Ethernet Interface Parameter Definitions

Parameter	Default	Choices	Description
IP Address	0.0.0.0	x.x.x.x where x ranges from 1 to 255	This IP address, also known as the direct IP address, always applies only to this unit. The IP Address should be assigned by the person responsible for your network. TCP/IP network administrators are familiar with these sorts of parameters and can assign values that work with your existing network. If the IP address is improperly set, your device might not be able to communicate on the network and could disrupt network communications.
Redundant IP	Disable	Disable Enable	Enabling this feature allows the Ethernet Interface to share an IP address with the corresponding Ethernet Interface in the other unit. When this parameter is enabled, a Redundant IP Address must be entered.
Redundant IP Address	0.0.0.0	x.x.x.x where x ranges from 1 to 255	(Available only when the Redundant IP parameter is set to Enable.) The IP address shared by two Ethernet Interfaces that are connected to the same network and reside in separate units (one in the Primary CPU and the other in the Secondary CPU). Although the redundant IP address is shared by both Ethernet Interfaces, only the Interface in the Active unit responds to this IP address. This IP address is assigned in addition to the device's Primary IP address. The redundant IP address must not be the same as the direct IP address of either Ethernet Interface. The redundant IP address must be on the same sub-network as the direct IP address and Gateway IP Address, if used. For more information about Ethernet redundancy, refer to the <i>PACSystems RX3i and RSTi-EP TCP/IP Ethernet Communications User Manual</i> , GFK-2224.
Produce EGD on Redundant IP	False	False True	When this feature is enabled (True) the active unit will produce EGD using the redundant IP address as the source IP address. When this feature is disabled (False) the active unit will produce EGD using the direct IP address.

5.4.5 Rack Module Configuration Parameters

I/O Interrupts

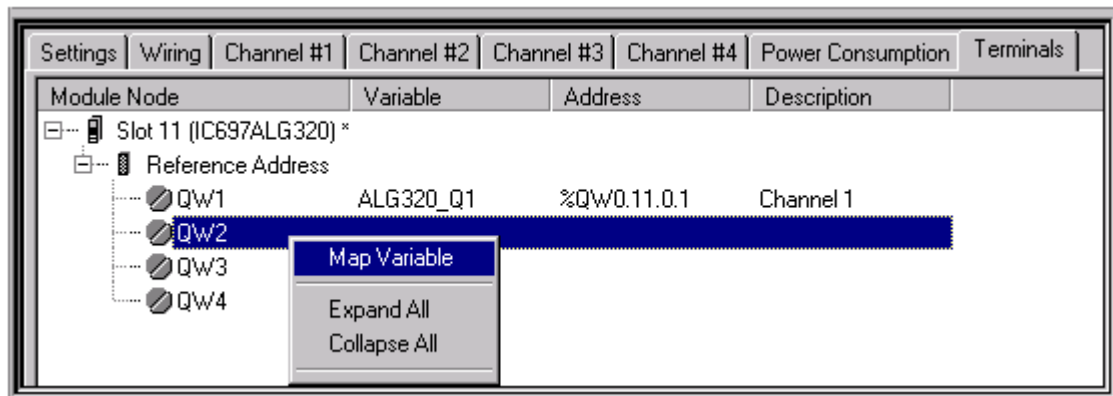
Interrupts cannot be ENABLED when the configured CPU is a Redundant CPU. When a redundant CPU is configured, any interrupts enabled in the configuration are DISABLED.

I/O Variables

An I/O variable is a symbolic variable that is mapped to a terminal in the hardware configuration for individual modules. A terminal can be one of the following: a physical discrete or analog I/O point on a PACSystems module or on a Genius device, a discrete or analog status returned from a PACSystems module, or Global Data. The use of I/O variables allows you to configure hardware modules without having to specify the reference addresses to use when scanning their inputs and outputs. Instead, you can directly associate variable names with a module's inputs and outputs.

I/O variables can be used any place that other symbolic variables are supported, such as in logic as parameters to built-in function blocks, user-defined function blocks, parameterized function blocks, C blocks, bit-in-word references, and transitional contacts and coils. For additional information on the use of I/O variables, refer to the *PACSystems RX3i and RSTi-EP CPU Reference Manual*, GFK-2222.

Figure 32: Example of Mapping Hardware I/O Variables



Using I/O Variables in a Redundancy System

In a redundancy system, the mapping of I/O variables must be the same in both units. It is possible to have different modules configured in each unit, as long as the modules that differ do not have I/O variables assigned to them.

When an I/O variable is added, moved or deleted in one hardware configuration, Machine Edition performs the same action on the other hardware configuration. If you move a module with I/O variables to a different rack location, the variables in the corresponding module in the other hardware configuration are disassociated, causing an I/O Variable Mismatch error. If an I/O variable is assigned to a module in one unit without a corresponding I/O variable on a module of the same type in the other unit, an *I/O Variable Mismatch* error will be generated upon validation.

I/O variables can be configured as transferred variables in either or both the input and output transfer lists. For details, refer to Section 5.5, *Adding Individual Variables to the Transfer Lists*.

5.4.6 Genius Bus Configuration

Bus Controller Configuration Parameters

When configuring the PRIMARY controller, all GBCs configured for external redundancy must have Serial Bus Address 31.

When configuring the SECONDARY controller, all GBCs configured for external redundancy1 must have Serial Bus Address 30.

Note: It is possible to configure Genius networks in which there is not a redundant bus controller in the other unit. For such networks, the serial bus addresses do not need to be 31 in the Primary CPU system and 30 in the Secondary CPU system.

For single Genius bus networks in targets, the GBCs' Redundancy Mode parameter must be configured for Redundant Controller with the redundant pair set to External.

For single Genius bus networks in RX3i targets, the GBCs' Redundancy Mode parameter must be configured for Redundant Controller - External.

For Dual Bus Genius networks in targets, the GBCs must be configured for Dual Bus/Redundant Controller.

For Dual Bus Genius networks in RX3i targets, the GBCs must be configured for Redundant Controller - External.

Note: Dual Bus Genius networks in RX3i targets need to be configured manually, and %I and %AI references on Genius bus B must have offsets. The %I offset is 10000 and the %AI offset is 5000.

Note: GBCs for networks that are connected to just one unit can have any setting.

Genius Device Configuration Parameters

All Genius devices that are connected to both units must be configured as redundant.

Note: Devices that are connected to just one unit can use any available setting.

Note: In an RX3i CPU Redundancy System, when a GBC is configured as Redundant Controller – External, all its outputs are redundant.

5.5 Adding Individual Variables to the Transfer Lists

Individual variables can be configured as transferred variables in the input transfer list and/or the output transfer list. Mapped, managed (symbolic and I/O), and function block instance variables can be transferred. This is the only way that managed and function block instance variables can be transferred.

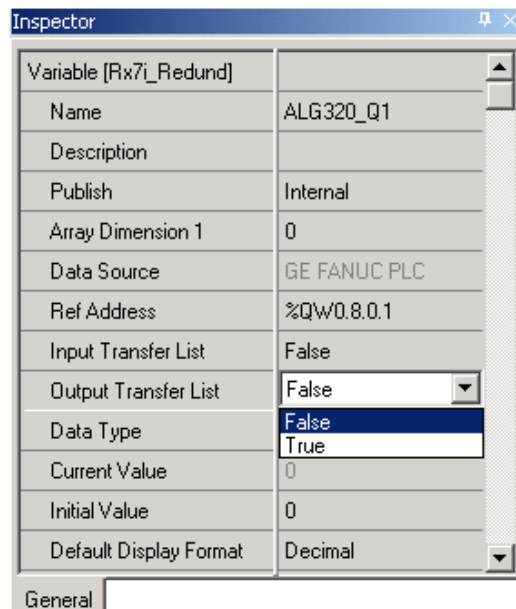
The following types of variables cannot be transferred:

- Mapped BOOL variables with bit-in-word addresses
- Elements of BOOL arrays that are mapped to word memories (%R, %W, %AI, %AQ)
- Aliases to variables

The Input Transfer List and Output Transfer List properties for a variable are set to False by default.

In most cases, a variable should be part of the input or output transfer, but not both. In some unusual cases, where there is a need to update a variable at both transfer points in the sweep, the variable can be configured for both lists.

Figure 33: Configuration for Including a Variable in the Transfer List



5.5.1 Mapped Variables

An advantage of configuring mapped variables this way instead of including them in the CPU's Transfer List is that the transfer properties are tied to the variable, not the memory location. If you need to relocate a variable, you do not risk accidentally moving it out of the transfer area.

Mapped variables must be assigned to one of the memory ranges allowed for redundancy transfer: %I, %AI, %Q, %AQ, %R, %M, %W, or %G.

Note: If a mapped variable within a range specified in the CPU hardware configuration Transfer List is also configured as a transferred variable, it will be transferred twice.

5.5.2 Arrays

Arrays can be configured as Mixed transferred variables, allowing individual elements to be included in the input transfer list and/or the output transfer list. If the top level of the array variable is set to True or False for either list, all elements in the array are set to the top-level value for that list.

5.5.3 Instance Data Structure Variables

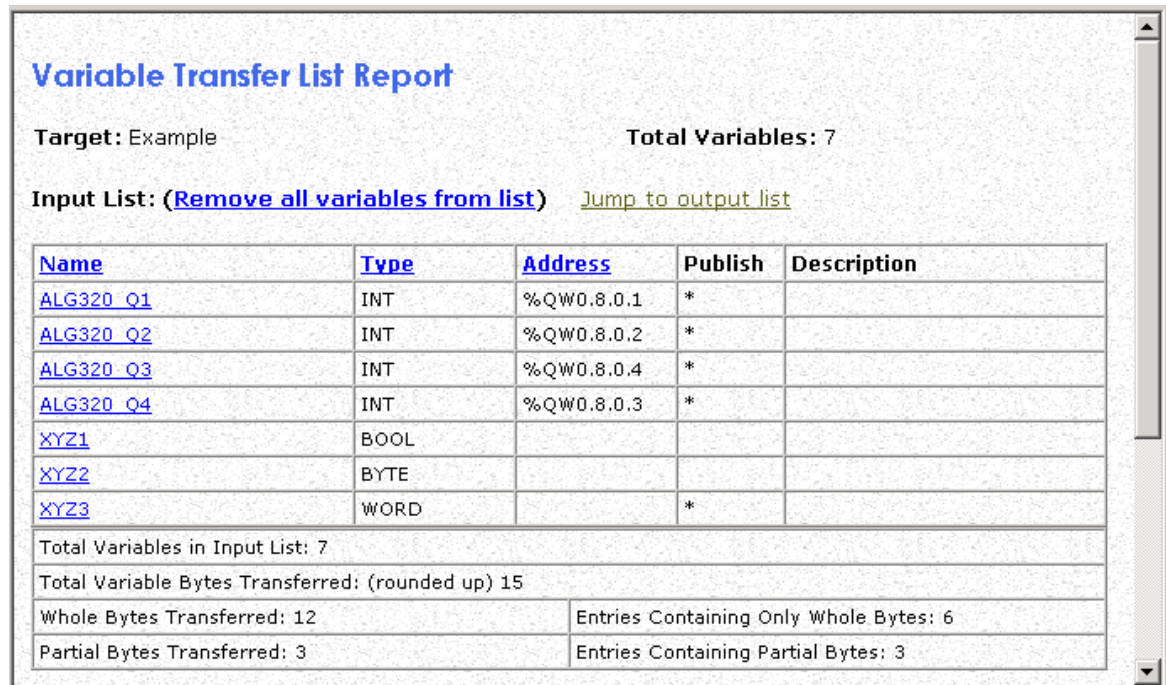
All elements of instance data structure variables, such as those associated with a function block, are transferred according to the setting of the head of the data structure.

5.5.4 Using the Variable Transfer List Report

The report provides the total number of variable bytes, the total whole bytes, and the total partial bytes included in the input and the output transfer lists.

To access this report, right-click the Target and select Report. In the Available Reports list, select Variable Transfer List Report and click OK.

Figure 34: Variable Transfer List Report



5.6 Storing (Downloading) Hardware Configuration

A PACSystems control system is configured by creating a configuration file in the programming software, then transferring (downloading) the file from the programmer to the CPU through the Ethernet Interface or serial port. The CPU stores the configuration file in its non-volatile RAM memory.

In the programming software all online operations, including downloading a folder, are performed on the controller that is the selected hardware configuration. You must download the hardware configuration to each controller in the redundancy system in a separate operation.

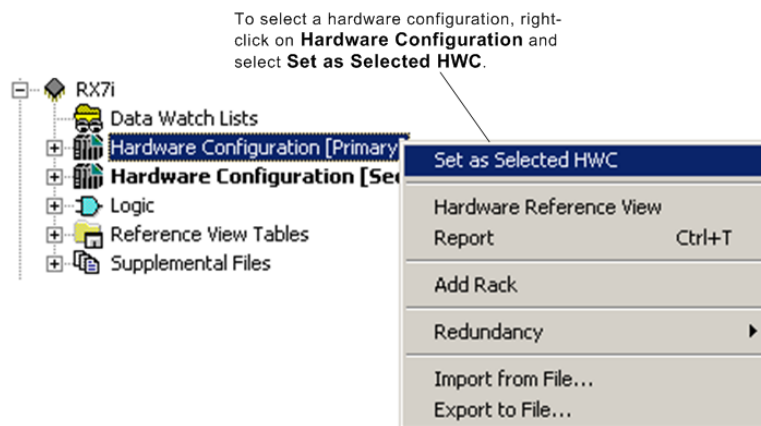
⚠ CAUTION

If both units are configured as Primary or as Secondary, they will not recognize one another. GBCs only blink their LEDs and no fault will be reported.

Correct the configuration of both units before placing either unit in Run mode.

1. Make sure the Primary HWC is selected (Figure 35).

Figure 35: Select Primary Controller as Target



2. If not already done, set the physical port parameters for the Primary CPU in the Target properties.
3. Connect to the CPU. Make sure the CPU is in Stop mode.
4. Download.

5. Go offline.
6. Select the Secondary HWC.
7. If not already done, set the physical port parameters for the Secondary CPU in the Target properties.
8. Connect to the CPU. Make sure the CPU is in Stop mode.
9. Download.

5.7 Run Mode Store

PACSystems releases 5.5 and later supports Run Mode Store (RMS) of the redundancy transfer list. This capability allows you to add, delete or modify transfer list entries without stopping the controllers.

If two redundant units are synchronized, the RMS must be performed as a dual operation. However, when a redundant unit is not synchronized to another unit, the redundancy transfer list can be stored in a single RMS. This facilitates the commissioning phase of a redundancy system, where the redundant partner might not be in place yet.

CAUTION

Do not attempt to synchronize a unit while an RMS is in progress to a non-synchronized Active unit. If the unit attempting to synchronize in this case is taken to run mode, both units will be non-synchronized Active units. For systems that contain redundantly controlled PROFINET I/O, when both units become non-synchronized Active units, the unit that was the synchronized Active unit will then go to Stop mode.

An RMS of the transfer list requires two copies of the redundancy configuration to be resident on the controller for a short time. During that period both copies of the transfer list are charged against the user memory limit. If there is not enough user space available for both copies (along with any new logic or EGD data that is part of the RMS), the store will fail.

5.7.1 Dual RMS with Simultaneous Activation in Redundant Systems

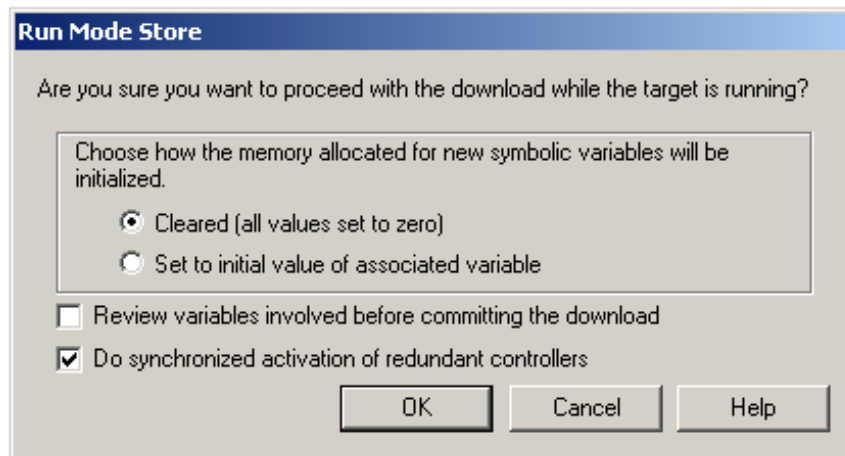
⚠ WARNING

A synchronous RMS of invalid user logic or configuration, such as would cause a watchdog or processor exception, could cause both units to fail. To mitigate the risk of such application errors, the procedure, *Initial RMS Followed by Dual RM* on the following page is recommended.

To modify EGD, application logic, and/or the redundancy transfer list using RMS and have the controllers simultaneously activate the changes, you must perform independent downloads to both controllers. The two controllers then negotiate when to activate the new items. The initial store can be done to either the Primary or the Secondary CPU. Note that a dual RMS does not have to include transfer lists. It could include only EGD and/or logic.

When you command an RMS to one of the units, you will be given the option of selecting synchronized activation of the redundant controllers.

Figure 36: Run Mode Store



If you select Do synchronized activation of redundant controllers, the first unit defers application of the newly stored application data until the following actions have occurred:

1. You disconnect from the first unit, connect to the other unit, and command an RMS to that unit.
2. The programmer performs the RMS to the second unit.
3. Both units validate that the new application data is compatible in the two units. Because the controller sweeps are synchronized, both units will activate the new logic and transfer lists on the same sweep.

If a power loss occurs on one of the units after activation of the new components begins, but before it completes, the unit maintaining power will complete the activation and continue as a non-synchronized Active unit. When the other unit is powered back on (assuming a good battery) it will either have the newly stored application or the original application. If the units match, they can synchronize without a download. If the unit that lost power does not contain the new application data, a Primary and Secondary CPUs are incompatible fault (fault 9 in group 138) will be generated.

5.7.2 Initial RMS Followed by Dual RMS

The following procedure is recommended to avoid the risk of both units failing due to logic errors in a dual RMS:

1. Perform an RMS of the new application data only to the Backup controller prior to modifying the transfer list. (Do synchronized activation of redundant controllers is not selected.)
2. Perform a role switch to make the modified controller Active.
3. Add any variables that require synchronization to the transfer list. (Refer to 5.5, Adding Individual Variables to the Transfer Lists.)
4. Initiate a dual RMS.
5. If necessary, perform a role switch so that the Primary CPU is the Active unit. The unit whose logic had already been stored in run mode will receive only the new transfer list. The other unit will receive the new transfer list and new logic/EGD.

5.7.3 RMS Operational Errors

Certain operational errors can occur only when performing a dual RMS to two synchronized controllers and performing simultaneous activation of new application data. The table below outlines possible modes of failure and the system operation when the failure occurs.

Table 12: RMS Operational Errors

Error Mode	System Operation
User requests a normal store (single RMS, not dual RMS) when the transfer list has changed.	The programmer will not attempt the run mode store and will display an error message.
User requests a dual RMS on a controller that is not synchronized to a redundant partner.	The dual store will not be completed. The programmer will display the following controller error message: <i>The requested action could not be completed because the target is not synchronized with another controller. (0x05, 0x3E)</i>
User requests a dual RMS on a controller whose redundant partner does not support dual RMS.	The dual store will not be completed. The programmer will display the following controller error message: <i>The firmware for the remote redundant controller does not support the operation. (0x05, 0x3C)</i>
Dual RMS aborted (user commanded, loss of communications, failed download) to a controller whose redundant partner does not have a pending dual RMS.	The controller will abort the RMS and delete any new application data that had been stored.
Dual RMS aborted (user commanded, loss of communications, failed download) to a controller whose redundant partner has a pending dual RMS.	Both controllers will abort the RMS and delete any new application data that had been stored.
Loss of synchronization in a dual RMS where only one controller has a pending dual RMS.	The controller will abort the RMS and delete any new application data that had been stored.
Loss of synchronization in a dual RMS where both controllers have a pending dual RMS.	Both controllers will abort the RMS and delete any new application data that had been stored.
The two controllers determine that the newly stored transfer lists are not compatible.	Both controllers will abort the RMS and delete any new application data that had been stored.

Error Mode	System Operation
One or both of the units determine that there is a problem with one of the components downloaded during the run mode store.	Both controllers will abort the RMS and delete any new application data that had been stored.
A loss of synchronization occurs after the activation of the new components begins, but before it completes.	Both units complete the activation of newly stored application data and run as non-synchronized Active units ¹⁰ .
A fatal error (stop halt) occurs after the activation of the new components begins, but before it completes.	Both units complete the activation of newly stored application data. If only one unit has a fatal error, the other unit will run as a non-synchronized Active unit.
A power loss occurs on one of the units after activation of the new components begins, but before it completes.	The unit maintaining power will complete the activation and continue as a non-synchronized Active unit. If the other unit is powered back on (assuming a good battery) it will either have the newly stored application or the original. The firmware will attempt to ensure that this unit has the new application so that it can synchronize to the other unit without a download, but it will not be guaranteed. If the units match, they can synchronize without a download. If the unit that lost power does not contain the new application data, a <i>Primary and Secondary CPUs are incompatible fault</i> (fault 9 in group 138) will be generated.
User attempts to go to programmer mode on a controller that already has a pending dual RMS.	You will be prompted to either abort the dual RMS or stay in monitor mode.
User requests a role switch via logic or the physical switch on the RMX module.	User commanded role switches do not impact the ability to do a dual RMS. The role switch could be deferred for a maximum of one sweep if it coincides with the simultaneous activation.
Dual RMS could fail in Normal sweep mode with the Backplane Communication Window Mode set to Complete. Synchronization is lost and both units transition to NSAU operation. ¹⁰	When RMS of a large file is performed with the CPU in this sweep mode, the CPU tries to complete the RMS in a single scan, causing the sweep time to exceed the Fail Wait Time. To avoid this failure, set the Backplane Communication Window Mode to Limited or select the Constant Window or Constant Sweep mode.

¹⁰ For systems that contain redundantly controlled PROFINET I/O, when both units become non-synchronized Active units, the unit that was the synchronized Active unit will go to Stop mode.

5.7.4 Behavior of EGD in a Dual RMS

Added exchanges will begin consumption/production shortly after the activation of logic that is part of the RMS. Deleted exchanges will cease consumption/production shortly before the activation of logic that is part of the RMS. Modified exchanges will be offline for a short time during the activation of new logic that is part of the RMS. For general information about the behavior of this feature in a simplex system, refer to the *PACSystems RX3i and RSTi-EP TCP/IP Ethernet Communications User Manual*, GFK-2224, to the section, *Run Mode Store of EGD*.

Unlike activation of the transfer list and logic, activation of EGD changes is not guaranteed to be simultaneous between the two units in a dual RMS. Even in cases where hardware configuration and logic are identical on the two units, it cannot be guaranteed that production/consumption of deleted or modified exchanges will stop on the same controller sweep. Likewise, it cannot be guaranteed that production/consumption of added or modified exchanges will resume on the same controller sweep. This is consistent with normal operation of EGD in a redundancy system.

5.7.5 Hardware Configuration and Logic Coupling

If I/O Variables are used, an RMS must include both logic and hardware configuration. If I/O Variables are not used, you can choose whether to RMS logic, hardware configuration, or both. If you choose hardware configuration or both, all portions of hardware configuration that can be stored in run mode will be included. If there are portions of hardware configuration that are not equal and cannot be stored in run mode, a warning will be generated.

Section 6: Operation

This chapter discusses aspects of PACSystems CPU operation that function differently in a redundancy system. For general details of CPU operation, refer to the *PACSystems RX3i and RSTi-EP CPU Reference Manual*, GFK-2222.

- Power-up of a Redundant CPU
- Synchronizing Redundant CPUs
- %S References for CPU Redundancy
- Scan Synchronization
- Fail Wait Time
- Data Transfer
- Switching Control to the Backup Unit
- STOP to RUN Mode Transition
- RUN with Outputs Disabled Mode
- RUN to STOP Mode Transition
- Error Checking and Correction
- Timer and PID Functions
- Timed Contacts
- Multiple I/O Scan Sets
- Genius Bus Controller Switching
- Redundant IP Addresses
- Ethernet Global Data in an HSB Redundancy System

6.1 Power-up of a Redundant CPU

When a redundant CPU is powered up, it performs a complete hardware diagnostic check and a complete check of the application program and configuration parameters. This causes the power-up time of a redundant CPU to be longer than that of a non-redundant CPU.

If the Primary and Secondary CPUs power up together, the Primary becomes the Active unit and the Secondary CPU becomes the Backup unit. Whenever the Secondary CPU powers up and does not detect the

Primary CPU, the Secondary CPU waits for a specific period for the Primary CPU to power up. If the Primary CPU has not completed its power-up sequence within the specified time, the Secondary CPU assumes that the Primary CPU is not present. In this case, if the Secondary CPU is configured to transition to Run on power-up, it becomes an Active unit without a Backup unit.

If the Primary CPU completes its power-up sequence before the Secondary CPU, the Primary CPU waits a few seconds for the Secondary CPU to complete its power-up sequence. If the Primary CPU is set up to transition to Run on power-up and does not detect the Secondary CPU within this time, it becomes an Active unit without a Backup.

Power-up times vary from one CPU model to another, so the Secondary CPU power-up wait time is adjusted accordingly:

Table 13: Secondary CPU Power-up Wait Time

CPU Model	Secondary CPU Power-up Wait Time
CPE330	70 seconds
CPE400	70 seconds
CPL410	70 seconds
All other Redundant CPUs	30 seconds

Note: If the entire system should be fully redundant upon power-up, the Secondary CPU must complete power-up before the Primary CPU powers up, but must do so with the time indicated. To ensure this, apply power to the Secondary CPU before applying power to the Primary.

If either unit is powered up after the other unit is already in Run mode, communications between the two units are established. If the unit is powered up goes to Run mode, a resynchronization occurs (refer to Section 6.2).

6.1.1 Synchronizing the Time of Day Clocks

At the point when the two units establish communications through the redundancy link(s), the Primary CPU's time of day clock is copied to the Secondary CPU.

6.1.2 Validity of PROFINET I/O at Power-up

When a PACSystems controller returns to service after a power outage, it can take several seconds for that controller's PNCs to come online and for each PNC to bring its configured IO devices online. The CPU does not prevent itself from going into RUN mode while it is in the process of bringing the PROFINET IO online. Because a PACSystems CPU can go to RUN mode before its IO devices are ready, you should be aware of the following.

Inputs and Input Point Faults

When a *redundantly-controlled* PROFINET I/O device is not online with the Active unit, the *Active* CPU sets that device's inputs to the default values and sets the corresponding input point faults to the faulted state. At power-up, these inputs and input point faults will remain in this state until that I/O device comes online and starts transferring inputs to the PNC in the Active unit,

When a *simplex* PROFINET I/O device is not online, the CPU for which that device is configured will set that device's inputs to the default values and set the corresponding input point faults to the faulted state. At power-up, these inputs and input point faults will remain in this state until that I/O device comes online and starts transferring inputs to corresponding PNC.

Therefore, if the control application needs to know whether a set of PROFINET inputs is valid or not, it must refer to the input point faults.

Output Point Faults

Whenever a *simplex* PROFINET I/O device is not online, the CPU for which that device is configured for will set the output point faults for that device to the faulted state.

However, the Hot Standby CPUs do not support use of the output points faults associated with *redundantly-controlled* PROFINET I/O devices. Thus, the application should not use the point faults that correspond to redundantly-controlled PROFINET outputs.

Additional information on operation at a STOP-RUN transition can be found in Section 6.8, *STOP to RUN Mode Transition*.

6.2 Synchronizing Redundant CPUs

When synchronization is initiated, the CPUs exchange information about their configurations. If a transitioning CPU detects that the configurations are not in agreement, that CPU will not transition to RUN mode; if both CPUs are transitioning at the same time, neither CPU transitions to RUN mode.

The following items must be in agreement in order to synchronize:

1. Both CPUs must be configured for the same redundancy control strategy.
2. Both CPUs must have identical transfer lists.
3. If %I, %Q, %AI, or %AQ references are included in the transfer list, the Point Fault References configuration parameter must be identical on both units.

During synchronization, the Active unit sends a synchronization request to the Backup unit and waits for a response from the Backup unit. If the Active unit does not receive a response from the Backup unit within its configured Fail Wait Time, it operates as a non-synchronized Active unit (NSAU).

During synchronization, the Backup unit waits for a synchronization request from the Active unit. If the Backup unit does not receive the request within its configured Fail Wait Time, it transitions to NSAU operation. If the Backup unit receives a synchronization request within the Fail Wait Time, it waits to receive the synchronization data. If it receives the data within 60ms, synchronization completes. If it does not receive the data, the Backup unit operates as a NSAU.

6.2.1 Dual Synchronization

Dual Synchronization occurs when both CPUs transition to Run at the same time. The Primary CPU becomes the Active unit and the Secondary CPU becomes the Backup unit.

Non-retentive data is cleared, and the #FST_SCN reference and #FST_EXE bits are set to 1.

Note: Because CPE330 supports a CRU320 compatibility mode (which allows a CRU320 configuration to be downloaded to a CPE330) a mixed-model CPU system can be created. In a mixed-model system, Dual Synchronization at power-up cannot be guaranteed because of the power-up time differences of the two CPUs. It is not recommended to design a system with mixed-models; however, this setup can be used to replace a failed redundant CPU.

6.2.2 Resynchronization

Resynchronization occurs when one unit is already in Run mode and the other unit is put into Run mode. The unit already in RUN mode remains the Active unit and the transitioning unit becomes the Backup unit. The behavior is the same whether the unit going to RUN is the Primary CPU or the Secondary CPU.

At this point, the Active unit sends the output transfer data and the input transfer data to the Backup unit. In addition to the configured redundancy transfer data, the #FST_SCN % S reference as well as internal timer information and #FST_EXE for each common logic block are transferred from the Active unit to the Backup unit. Only the internal timers and #FST_EXE data for program blocks with the same name are transferred. Therefore, the #FST_SCN and #FST_EXE bits for common blocks are not set on the first scan of the transitioning unit.

6.2.3 Operation when a Redundancy Link is Removed

When one of the links in a system with dual redundancy links is lost, for example when the fiber-optic cable is removed from one RMX module, and the CPUs remain synchronized with one link, the redundancy status LEDs (Local Ready, Local Active, Remote Ready, Remote Active) on the RMX modules associated with the failed link will continue to be updated.

6.3 %S References for CPU Redundancy

%S33 through %S39 and %SB18 reflect the status of the redundancy units. The table below describes these %S references, and shows their expected states, assuming the Primary CPU is Active and the Secondary CPU is Backup.

Table 14: %S Bit Definitions

%S Bit	Definition	Name	Description	Expected State	
				Primary CPU	Secondary CPU
%S33	Primary CPU	#PRI_UNT	Set to 1 if the local unit is configured as the Primary CPU. Otherwise it is set to 0. For any given local unit, if PRI_UNT is set, SEC_UNT cannot be set.	ON	OFF
%S34	Secondary CPU	#SEC_UNT	Set to 1 if the local unit is configured as the Secondary CPU. Otherwise it is set to 0. For any given local unit, if SEC_UNT is set, PRI_UNT cannot be set.	OFF	ON
%S35	Local Unit Ready	#LOC_RDY	Set to 1 if local unit is in Run mode with outputs enabled. Otherwise it is set to 0.	ON	ON
%S36	Local Unit Active	#LOC_ACT	Set to 1 if local unit is currently the Active unit. Otherwise it is set to 0. For any given local unit, if LOC_ACT is set, REM_ACT cannot be set.	ON	OFF
%S37	Remote Unit Ready	#REM_RDY	Set to 1 if remote unit is in Run mode with outputs enabled. Otherwise it is set to 0.	ON	ON
%S38	Remote Unit Active	#REM_ACT	Set to 1 if remote unit is currently the Active unit. Otherwise it is set to 0. For any given local unit, if REM_ACT is set, LOC_ACT cannot be set.	OFF	ON
%S39	Logic Equal	#LOGICEQ	Set to 1 if the application logic for both units in the redundant system is the same. Otherwise it is set to 0.	ON	ON

%S Bit	Definition	Name	Description	Expected State	
				Primary CPU	Secondary CPU
%S41	Redundancy Communication Available	#RDNCOMM	Set to 1 whenever the Redundancy Communications Interface has at least one Ethernet Link up.	ON	ON
%S42	Redundancy Link 1 OK	#RDNP1LINK	Set to 1 whenever Redundancy Ethernet Port 1 has link on its PHY.	ON	ON
%S43	Redundancy Link 2 OK	#RDNP2LINK	Set to 1 whenever Redundancy Ethernet Port 2 has link on its PHY.	ON	ON
%SB18	Redundancy Informational Message Logged	#RDN_MSG	Set if a redundancy informational message was logged. It can be cleared in reference tables, logic, or by clearing the fault tables.		

%S references can be read from the application program, but cannot be altered or overridden. These references are always OFF when no configuration has been stored. Anytime a configuration is stored, the states of these %S references are updated in both STOP and RUN modes.

The four redundancy status LEDs on the RMX Module correspond to the %S35, %S36, %S37, and %S38 references. The programming software summarizes the state of the redundancy system on the Redundancy tab of the Show Status dialog box, accessed from Online commands. Additionally, external indicators can be used to monitor the state of any status reference.

If the two CPUs are in Run mode but lose synchronization (due to Fail Wait Time set too short or failure of both redundancy links), both units generally log faults and proceed as NSAUs. In this case both units attempt to control the process independently; both units set their #LOC_ACT status to 1, and clear the #REM_RDY, #REM_ACT, and #LOGICEQ status flags. However, for systems that contain redundantly controlled PROFINET I/O, when both units become non-synchronized Active units, the unit that was the synchronized Active unit will go to STOP mode instead.

Note: The #OVR_PRE reference, %S00011, is not supported by the Redundant CPU and should not be used.

6.3.1 Redundancy Status Presented as OPC UA Variables

CPUs that support OPC UA present the Redundancy Status information as OPC UA variables, as described in this section. These OPC UA variables may be used by EFA and Predix Cloud, or any OPC UA application, to determine which redundant controller is Active. The application can then decide which redundant controller's data to use (the Active one).

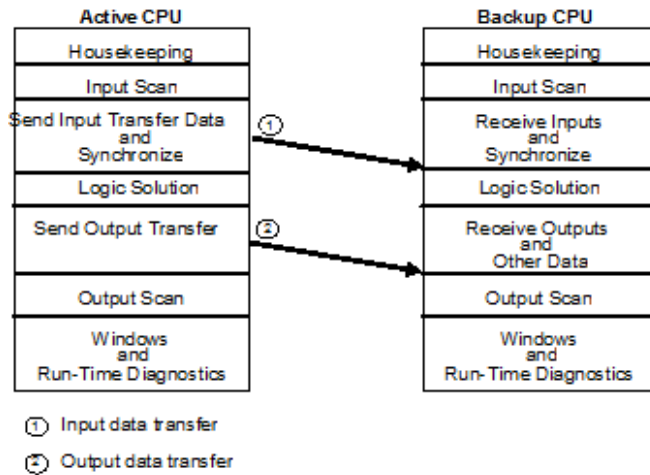
The two variables listed below are OPC UA default variables (i.e., they do not need to be Published) and are located in the OPC UA path `/Objects/GE Device Information/PACSystems RX3i/Controller/`.

- *System Status Bits* – This variable is an unsigned 32-bit integer and contains a copy of all of the redundancy status bits from %S memory (%S33 to %S48). This includes all the standard Redundancy bits such as #PRI_UNT, #LOC_ACT, #REM_RDY, documented in 6.3 plus #RDNCOMM, #RDNP1LINK, and #RDNP2LINK, which are bits specific to CPUs with Ethernet-based redundant communications links (e.g. CPE400/CPL410).
- *System Local Active* – This variable is a Boolean that is based on the state of the #LOC_ACT %S bit. The #LOC_ACT bit is also included in the “System Status Bits” variable described above. It is presented here as a separate Boolean to make the determination of the Active CPU unit easier for the OPC UA application.

6.4 Scan Synchronization

The figure below shows the sweep components for the Active and the Backup CPUs.

Figure 37: Scan Synchronization Sweep Diagram



There are two synchronization points in the sweep. The input transfer point occurs immediately after the inputs are scanned. At this point in the sweep, the newly read inputs are sent from the Active unit to the Backup unit. At the output transfer point, the rest of the data (outputs, internal references, registers) is sent from the Active unit to the Backup unit. These data transfers are automatic; they require no application program logic, but do require proper configuration.

Data can be transferred on either redundancy link. If one link fails, the transfer switches to the other link without causing a loss of synchronization.

6.4.1 Synchronization of PROFINET I/O

In a Hot Standby CPU Redundancy system, a redundantly controlled PROFINET IO device exchanges its inputs and outputs with only one of the two controllers that it is connected to. This transfer occurs with the Active unit. The Backup unit does not receive inputs directly from, or send outputs directly to, the IO Device because the Backup unit has a Backup connection with that I/O Device.

Because of this, the programmer requires that all redundantly controlled inputs be included in the Input Transfer list and all redundantly controlled outputs be included in the Output Transfer list.

The Active CPU collects the values of the redundantly controlled inputs during its Input Scan. Whenever the two Hot Standby CPUs are synchronized, the Active unit sends a copy of those inputs to the Backup unit during the input data transfer. Then both CPUs execute the logic solution with the same input values. When the logic solution is complete, the Active unit sends a copy of the redundantly controlled PROFINET outputs to the Backup unit during the output data transfer. Then both CPUs provide those outputs to their PNCs during the output scan.

6.5 Fail Wait Time

The Active and Backup CPUs synchronize their execution twice each sweep: once before logic execution and once afterwards. Certain failures of one CPU, such as an infinite loop in the logic, are detected by the other CPU as a failure to reach the next synchronization point on time. The maximum time to wait for the other CPU is known as the Fail Wait Time. The duration of this time must be specified during configuration of both the Primary and Secondary CPUs and can range from 40 ms to 400 ms (in increments of 10 ms), with the default being 60 ms.

The configured Fail Wait Time for the system must be based on the maximum expected or allowable difference in the two CPUs reaching a synchronization point. For example, if one CPU might spend 20ms in the communications phase of the sweep and the other unit might spend 95 ms in communications in the same sweep, the Fail Wait Time must be set to at least 80 ms ($80 > 95 - 20$) to prevent loss of synchronization. In addition, Fail Wait Time must be greater than the sum of the Controller Communications Window, Backplane Communications Window and Background Window timer settings.

Differences in the logic execution time and other phases must also be considered when selecting a Fail Wait Time. Some applications limit the possible difference during the communications window by using Constant Sweep mode or Constant Window mode, or by setting the system communications window to Limited and selecting a small window time.

If the Communications Window mode is set to Complete (run to completion), the controllers could lose synchronization, particularly during RMS using a rack-based Ethernet module.

6.6 Data Transfer

The data is transferred in blocks. Each block is checked for data integrity. The Backup CPU holds the transferred data in a temporary area until all the data has been received and verified. Then the Backup CPU copies the data into the actual controller memories. If the full transfer fails to complete properly, the Backup unit becomes an NSAU and discards the data in the temporary area.

6.6.1 Synchronization and Data Transfer Process

Input Data and Synchronization Data Transfer to the Backup Unit

Immediately after the input scan, the Active unit sends the selected input data to the Backup unit. This includes the selected ranges within %I, %Q, %AI, %AQ, %R, %M, %G and %W memories, as well as transferred variables. For discrete data, the status, override, and legacy-style transition information is transferred. If point faults are configured, point fault data is also sent.

Sweep Time Synchronization

During the first transfer, the Active unit automatically sends a synchronizing message to the Backup unit. This message contains the Start of Sweep Time. The CPUs stay synchronized because the Active unit waits for the Backup CPU to respond to the synchronizing message before starting its logic execution.

The Start of Sweep Time message transfer repeatedly coordinates the elapsed time clocks (upon which timers are based) in the redundant CPUs. The system time is continuous as long as one of the two systems is running. When a switchover occurs, the same time continues to be kept in the new Active unit.

Transition Contacts and Coils

PACSystems supports two types of Transition contacts and coils:

- Legacy Transition contacts and coils: POSCON, NEGCON, POSCOIL, and NEGCOIL
- IEC Transition contacts and coils: PTCON, NTCON, PTCOIL, and NTCOIL

For additional information on both types of Transition contacts and coils, refer to the *PACSystems RX3i and RSTi-EP CPU Reference Manual*, GFK-2222, to the sections *Transition Contacts* and *Transition Coils*.)

For any redundant transfer data item placed in a transfer list that is located in a discrete reference table or in the symbolic discrete reference region, the associated Override and legacy-style Transition data is transferred as part of that list. However, the IEC-style transition data is not synchronized. For this reason, IEC transitionals should not be used in redundancy if the application requires that this data be synchronized. IEC transitionals must be used with symbolic data; no legacy-style transition data exists for symbolic data.

Output Data Transfer to the Backup Unit

After the input data transfer, both units operate independently until the end of the program logic solution. Before the output scan starts, a second automatic data transfer occurs. At this time, the Active unit transfers the output transfer data to the Backup unit. This includes the selected ranges within %I, %Q, %AI, %AQ, %R, %M, %G, and %W memories, as well as transferred variables. For discrete data, the status, override, and legacy transition information is transferred. If point faults are configured, point fault data is also sent.

After the output data transfer, the Active and the Backup units independently perform their output scans and run their communications and background windows. They continue to operate independently until they synchronize again after the next input scan.

6.6.2 Estimating Data Transfer Time

When a system is synchronized, there are additions to the sweep time (compared to a similar non-redundant CPU model) for transferring data from one unit to the other. The data transfer time includes the time for the Active unit to read the data from the appropriate reference memory type as specified in the configured redundancy transfer list, move it from the CPU memory across the backplane, with appropriate data integrity information, into the RMX on-board memory. The data is then transferred from the RMX module in the Active unit to the Backup unit's RMX module via a high-speed fiber-optic link. On the Backup unit, the data is moved from the RMX onboard memory over the backplane into the CPU memory. A data integrity check is performed, and assuming the integrity checks pass, the transfer data is written to the appropriate reference memory in the Backup unit.

These additions to the sweep time can be estimated using the data and equations given in this section.

1. Calculate the total number of bytes configured as memory ranges in the CPU configuration's Transfer List.

Table 15: Calculate Total Number of Bytes to be Transferred

Reference Type	Reference Size	If Point Faults are Disabled:	If Point Faults are Enabled:
%I	Bit	$(\%I \text{ length} \times 3) \div 8$	$(\%I \text{ length} \times 4) \div 8$
%AI	Word	$(\%AI \text{ length} \times 2)$	$(\%AI \text{ length} \times 3)$
%Q	Bit	$(\%Q \text{ length} \times 3) \div 8$	$(\%Q \text{ length} \times 4) \div 8$
%M	Bit	$(\%M \text{ length} \times 3) \div 8$	
%G	Bit	$(\%G \text{ length} \times 3) \div 8$	
%AQ	Word	$(\%AQ \text{ length} \times 2)$	$(\%AQ \text{ length} \times 3)$
%R	Word	$(\%R \text{ length} \times 2)$	
%W	Word	$(\%W \text{ length} \times 2)$	

- Use the following formulae to estimate the data transfer time for memory ranges.

Table 16: RX3i Formulae

Data transfer size	Estimated transfer time for memory ranges (ms)
Less than 56K bytes	= 0.00005705959 x Total Transfer Data Size + 0.212556909
Greater than 56K bytes	= 0.00004790867 x Total Transfer Data Size + 0.341614952

Analysis of the linear curve resulting from the measurement of various data points yielded a break point around 28 K, resulting in the two linear equations stated above. Using the proper equation for the amount of transfer data will yield a minimum amount of error when doing the calculation. The actual data transfer time can vary slightly from the estimated time; most systems will see slightly better performance than the estimated value. In addition, the estimated data transfer time is based on a redundant system with two redundancy links in a steady state non-error condition without CPU serial communications activity, Genius bus faults or other high backplane interrupt activity.

- Calculate the total number of bytes and number of symbolic variables in the transfer list.

This information is obtained from the variable transfer list report. For details, refer to Section 5.5.4, *Using the Variable Transfer List Report*.

Table 17: Total Bytes & Number of Symbolic Variables

Total Bytes & Number of Symbolic Variables Equations
Size of transfer list=Total Variable Bytes Transferred (in Input List) + Total Variable Bytes Transferred (in Output List)
Number of entries=Entries Containing Only Whole Bytes (in Input List) + Entries Containing Partial Bytes (in Input List) + Entries Containing Only Whole Bytes (in Output List) + Entries Containing Partial Bytes (in Output List)

4. Use one of the following formulas to estimate the total transfer time for symbolic variables.

Table 18: Transfer Time for Symbolic Variables by CPU Type

CPU Type	Transfer time for variables (ms) ¹¹
CPL410	= 0.0000928 x (size of transfer list) + 5.3877
CPE400	= 0.0000928 x (size of transfer list) + 5.3877
CPE330	= 0.00003 x (size of transfer list) + 10.233
CRU320	= 0.00003923 x (size of transfer list) + 0.000177916 x (number of entries) - 0.61871745
CRE020	= 0.000130992 x (size of transfer list) + 0.000376524 x (number of entries) + 2.1
CRE030	= 0.000111019 x (size of transfer list) + 0.000249549 x (number of entries) + 1.9
CRE040	= 0.0000940902 x (size of transfer list) + 0.0000783293 x (number of entries) + 1.4

Add the following quantities:

Figure 38: RX3i Final Computation

Computational Component	Time (ms)
Synchronization base sweep addition – additional amount of time required to synchronize the CPUs with 0 Data Transfer	3.238 ms
+ Total transfer time for memory ranges (step 0)	_____
+ Total transfer time for transferred symbolic variables (step 0)	_____
= Total estimated transfer time:	_____
= Total estimated transfer time:	_____

¹¹ For a negative result, use a value of 0.

Tips for Reducing Transfer Time

Transferred BOOL variables and non-byte aligned BOOL arrays will increase transfer time. For these, you can create an array of BOOLS and transfer the entire array for efficiency. You can alias individual array elements to make logic more readable.

Data structures that contain non-contiguous members of different data types can be created. You can also create arrays of these structures. This feature allows you to put individual members of a data structure or the entire structure on one or both of the transfer lists. Placing arrays of structures in the transfer list has the potential to significantly increase the number of entries in the transfer list, which will impact user space charged and transfer time.

6.6.3 Programming a Data Transfer from Backup Unit to Active Unit (SVC_REQs 27 & 28)

The program logic can be used to transfer eight bytes (four registers) of data from the Backup unit to the Active unit before the next logic solution

To initiate this transfer, the Backup unit executes SVC_REQ 27 (Write to Reverse Transfer Area). This command copies eight bytes of data from the reference in the Backup unit specified by the PARM parameter. Note that SVC_REQ 27 only works when its CPU is the Backup unit. When its CPU is the Active unit, SVC_REQ 27 has no effect.

The Active unit stores the transferred data in a temporary buffer. The program in the Active unit must execute SVC_REQ 28 (Read from Reverse Transfer Area), which copies the eight bytes of data from the temporary buffer to the reference specified by the PARM parameter. SVC_REQ 28 only works in the Active unit. It has no effect when its CPU is the Backup unit.

There is always a one-sweep delay between sending data from the Backup unit using SVC_REQ 27 and reading the data at the Active unit using SVC_REQ 28. This data copied from the buffer is not valid in the following cases:

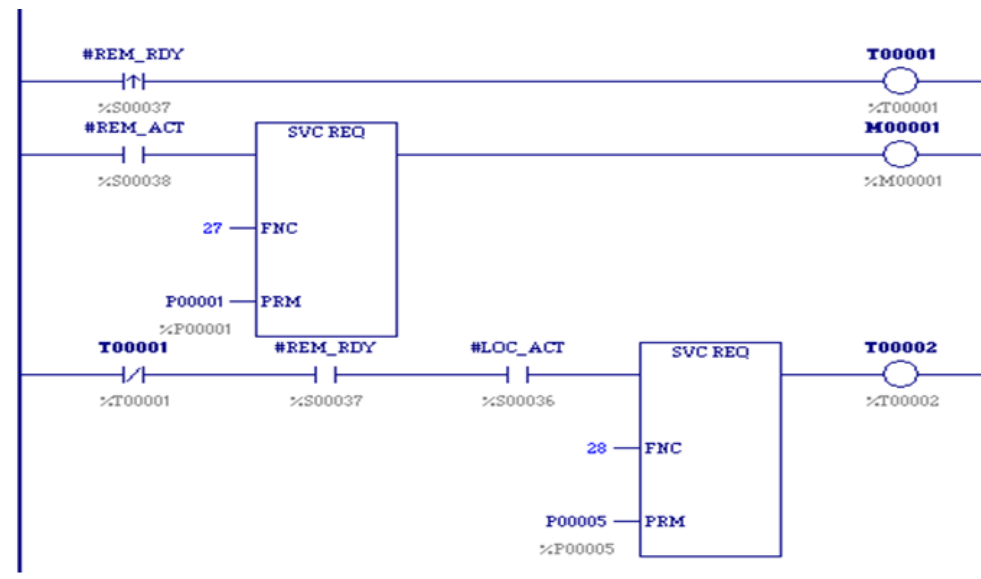
- During the first scan after either unit has transitioned to RUN;
- While the Backup unit is in STOP mode;
- If the Backup unit does not issue SVC_REQ 27.

The data should not be used if #REM_RDY is off or if #REM_RDY is transitioning to on.

Reverse Data Transfer Example

The following rungs would be placed in the program logic of both units. In this example, the Backup unit would send %P0001 through %P0004 to the Active unit. The Active unit would read the data into %P0005 through %P0008. %P0001 through %P0004 on the Active unit and %P0005 through %P0008 on the Backup unit would not change. %T0002 would be set to indicate that the operation was successful and that the data could be used.

Figure 39: Ladder Logic for Reverse Data Transfer



6.6.4 Disabling Data Transfer Copy in Backup Unit (SVC_REQ 43)

To instruct the Backup unit to bypass the copy of the transfer data from the Active unit, use SVC_REQ 43. This operation can be used to determine if the Active and Backup units are arriving at the same results.

This function is valid only when issued in the Backup CPU. It is ignored if issued when the units are not synchronized, or if it is issued in the Active unit.

SVC_REQ 43 disables the copy of data for one sweep, beginning with the output data transfer and ending with the input data transfer of the next sweep. The copy can be disabled for multiple sweeps by invoking SVC_REQ 43 once each sweep for the appropriate number of sweeps.

The resynchronization data transfer always occurs, even if SVC_REQ 43 is invoked in the first sweep after synchronization (this data transfer includes all inputs, outputs, and internal data that must be exchanged) since the resynchronization data transfer occurs before the start of logic execution.

This service request can be set up to disable the copies for all transfers or just the output transfers. If just the output copy is disabled, the two units can still use the same set of inputs on each unit. This makes it possible to test the ability of the two units to derive the same results from the same inputs.

In all cases, the data is still transferred over the redundancy link every sweep and the synchronization points are still met. The effect of SVC_REQ 43 is to disable the copy of the data from the transfer to the actual reference memories on the Backup unit.

WARNING

Whenever SVC_REQ 43 is in effect, the Backup unit still takes control of the system in event of a failure or role switch. Switches to the Backup unit can cause a momentary interruption of data on the outputs because the two units might not be generating the exact same results.

While SVC_REQ 43 is in effect, you should consider disabling outputs on the Backup unit. Disabling outputs on the Backup unit eliminates the risk

of an unsynchronized switch of control (which can cause a momentary interruption of data in the outputs) if the Active unit fails or loses power while the input/output copies are disabled. If the Active unit fails or loses power while outputs are disabled on the Backup unit, the system's outputs will go to their default settings. A Secondary effect of disabling outputs on the Backup unit is that the non-synchronized fault action table is used by the Active unit to determine which faults are fatal.

Note: If the CPU is already in RUN/ENABLED mode, a command to disable its outputs will not take effect until one sweep after the command is received. Therefore, disable the outputs at least one sweep before you enable SVC_REQ 43.

SVC_REQ 43 cannot be used to disable output data transfer on the Primary CPU when outputs are enabled on the Primary CPU. If that is attempted, the SVC_REQ 43 is rejected.

The first time SVC_REQ 43 is used, a fault is logged as a warning that the controllers are not completely synchronized.

The reverse data transfer, if any, is unaffected by SVC_REQ 43.

Enabling logic should be used with SVC_REQ 43. A contact with a non-transferred reference should be part of this enabling logic. That will allow the service request to be turned on/off directly without being overwritten by the value from the Active unit.

If the service request is invoked multiple times in a single sweep, the last call is the one that determines the action taken.

Successful execution occurs unless:

- The values in the command block are out of range.
- The service request is invoked when the two units in a redundant system are not synchronized.
- The service request is issued on the Active unit.
- The service request is issued on the Primary CPU while the Primary CPU's outputs are enabled.

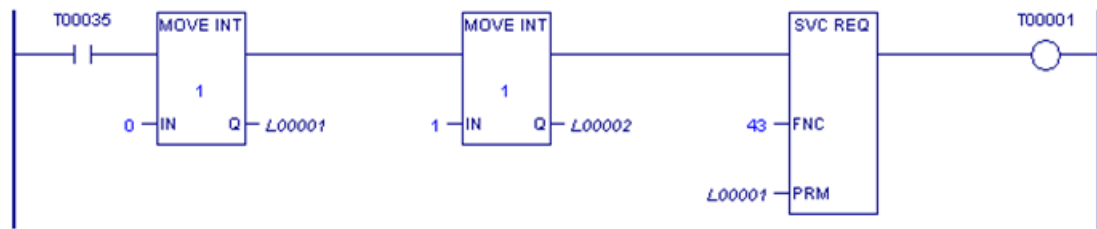
If the service request is unsuccessful, it will not pass power flow to the right.

Command Block for SVC_REQ #43

The command block for SVC_REQ #43 has two words:

Address 0
Address+1 1 = Disable input and output copies
 2 = Disable output copy only

Figure 40: Ladder Logic Example SVC_REQ 43



6.6.5 Validating the Backup Unit (SVC_REQ 43)

SVC_REQ 43 can be used to determine if the Backup unit is collecting inputs properly (that is, validate the input scan). It can also be used to determine whether the Backup unit is calculating outputs and internal variables properly (that is, validate the logic solution).

Validating the Backup Unit's Input Scan

To determine whether the Backup controller is collecting inputs properly, follow these steps:

1. Activate SVC_REQ 43 on the Backup CPU, passing the values 0 and 1 to disable the input and output data transfer copies.
2. Monitor the Backup unit's input references and input variables. The values presented correspond to the inputs that the Backup is currently collecting.
3. Visually compare the Backup unit's input references and input variables with those presented by the Active unit. Pay special attention to the references and variables that are included in the input transfer.
4. When you are satisfied that the Backup unit is collecting inputs properly, disable the rung that calls SVC_REQ 43.

Validating the Backup Unit's Logic Solution

To determine whether the Backup unit is calculating outputs and internal variables properly, follow these steps:

1. Activate SVC_REQ 43 on the Backup CPU, passing the values 0 and 2 to disable the output data transfer copy.
2. Monitor the Backup unit's output references, output variables, and internal variables. The values presented correspond to the values that the Backup is currently calculating.
3. Visually compare the Backup unit's output references, output variables, and internal variables with those presented by the Active unit. Pay special attention to the references and variables that are included in the output transfer.
4. When you are satisfied that the Backup unit is calculating outputs and internal variables properly, disable the rung that calls SVC_REQ 43.

6.7 Switching Control to the Backup Unit

Control switches from the Active unit to the Backup unit if:

1. The Active unit detects a fatal fault.
2. The Active unit is placed in Stop mode.
3. The Active unit fails or is powered off.
4. The toggle switch on an RMX module is activated, or the *Role Switch* command is issued via the CPE400/CPL410 OLED redundancy menu.
5. A switch is commanded from the application program.

Note: These two types of requests (#4 and #5) are not honored if they occur within 10 seconds of the previous request, in which case they will be ignored.

6.7.1 PROFINET I/O Switchovers

For PROFINET I/O, whenever control switches from the Active unit to the Backup unit, the new Active unit tells each redundantly controlled I/O device to make its connection Active and start transferring inputs and outputs over that connection. When this happens, the other unit's connection to the I/O device becomes a Backup connection. During this process, the redundantly controlled inputs and outputs might hold last state for a short period of time.

The time that redundantly controlled PROFINET inputs and outputs hold their last state during an I/O switchover typically will not exceed

$(4 \times \text{IO cycle time}) + (2 \times \text{CPU sweep time}) + \text{MSOT}$,

where MSOT is the MaxSwitchOverTime of the I/O device that contains these inputs and outputs.

The MaxSwitchOverTime value is specified in the I/O device's GSD file.

For example, the MaxSwitchOverTime of the VersaMax PNS is 15ms.

6.7.2 Switching Times and Impact to Sweep Time

The amount of time needed to switch control from the Active unit to the Backup unit depends on the reason for the switch.

There are two ways that the Backup unit detects that the Active unit has failed or lost power.

1. Failure of all remaining redundancy links. This type of failure has negligible impact on the controller sweep time.
2. Failure of the Active unit to rendezvous at a synchronization point within the Fail Wait Time. An example of this type of failure is the CPU not responding because the user logic is in an endless loop. If the redundancy links are still operational, the increase to the sweep time will equal the Fail Wait Time.

For these two cases the switchover occurs immediately.

For all other cases, the switchover occurs just before the next input data transfer. The maximum delay is 1 sweep. There may be an input and an output scan between detection of the fatal fault and the switch.

6.7.3 Commanding a Role Switch from the Application Program (SVC_REQ 26)

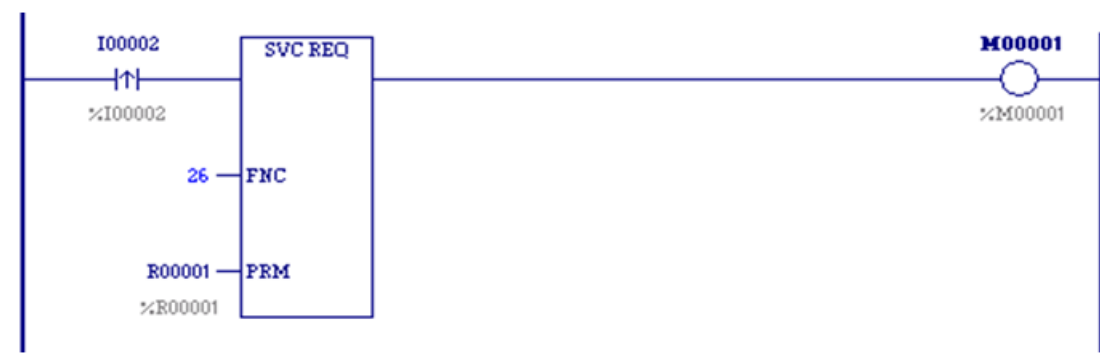
The application program can use SVC_REQ 26 to command a role switch between the redundant CPUs (Active to Backup and Backup to Active). As long as the units remain synchronized, the switch occurs just before the input data transfer of the next sweep.

When SVC_REQ 26 receives power flow to its enable input, the controller is requested to perform a role switch. Power flow from SVC_REQ 26 indicates that a role switch will be attempted on the next sweep. Power flow does not indicate that a role switch has occurred or that a role switch will definitely occur on the next sweep. The role switch request is not valid if it occurs within 10 seconds of a previous request. The 10-second limitation guarantees that only a single switch occurs if both units make a request at approximately the same time. SVC_REQ 26 ignores the PARM parameter; however, the programming software requires that an entry be made for PARM. You can enter any appropriate reference here; it will not be used.

Example

In this example, a pushbutton switch on a control console is wired to input %I0002. In the program logic, the reference for %I0002 is used as the input to the SVC_REQ 26 function block. When the button is pressed, logic power flows to SVC_REQ 26, causing a role switch to be requested. The PRM reference is not used and can have any value.

Figure 41: Ladder Logic for Role Switch (SVC_REQ 26)

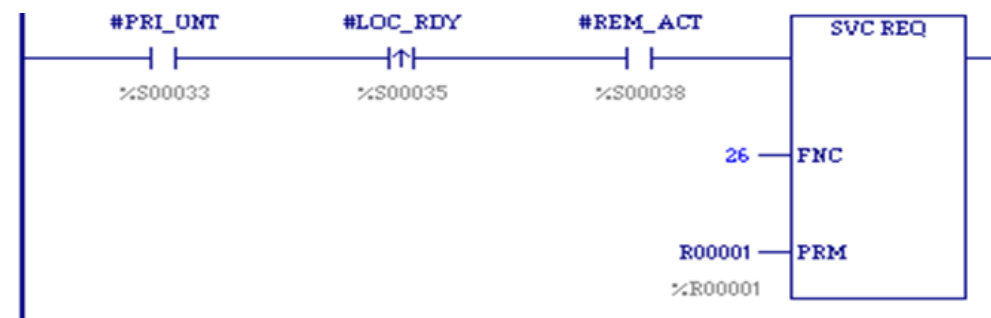


6.7.4 Implementing Preferred Master Using SVC_REQ 26

The PACSystems Hot Standby CPUs implement a floating master algorithm. This means that when one unit is put into Run mode while the other unit is already in Run mode, the transitioning unit always becomes the Backup unit.

If an application requires a preferred master algorithm where the Primary CPU always becomes the Active unit when placed in Run mode, the logic can use the Role Switch service request, SVC_REQ 26, as shown in the sample LD rung below. This logic must be included in the Primary CPU and may also be included in the Secondary CPU.

Figure 42: Ladder Logic for Preferred Master (SCV_REQ 26)



6.8 STOP to RUN Mode Transition

A resynchronization will occur at all STOP to RUN mode transitions. The time to perform this resynchronization may be larger than STOP to RUN transitions on non-redundant CPUs. The STOP to RUN mode transition has two separate paths.

1. If the unit performing the transition is doing so alone or both units are transitioning to Run at the same time, a normal STOP to RUN mode transition is performed (clear non-retentive memory and initialize #FST_SCN and #FST_EXE).
2. If the other unit is Active when this unit performs a STOP to RUN mode transition, non-retentive references will be cleared followed by a resynchronization with the Active unit.

6.8.1 Behavior with PROFINET I/O when No Healthy Redundancy Links are Available

When no healthy redundancy links are available, a CPU will allow itself to be put into RUN mode only if it has a connection to at least one redundant PROFINET I/O Device **and** none of the devices to which it is connected report that the other PNC is controlling its I/O.

Note: A special case exists when a standalone Primary CPU is set up to go to RUN mode at power-up under circumstances where no Secondary PROFINET device connection exists. The operation varies according to CPU type, as follows:

- | | |
|----------------------------|---|
| CPL410
CPE400
CPE330 | Whenever there is no redundant link with the Secondary CPU, a Primary CPU of this type waits a maximum of 20 seconds during power-up for PROFINET redundant device connections to be established. As soon as one PROFINET redundant device connection is established (and no secondary PROFINET redundant device connection exists) the Primary CPU can power up in RUN mode. Otherwise, the Primary CPU powers up in STOP mode. If a Redundant device PROFINET connection is established after the timeout period expires, the standalone Primary CPU must be manually switched from STOP to RUN mode. |
| CRU320 | A Primary CPU waits only 3 seconds before attempting to go to RUN, which is not enough time to establish connections to its PROFINET devices. This means that a standalone Primary CRU320 always powers up into STOP mode. After the PROFINET connections have been established, the standalone Primary CPU can be manually switched to RUN mode. A standalone Secondary CRU320, however, waits 30 seconds before attempting to go to RUN, which is sufficient time to establish its PROFINET device connections. This means that a standalone Secondary CPU can power-up into RUN mode. |

If any device indicates that the other PNC is controlling its I/O, the local CPU logs a No Redundancy Links and Secondary CPU has control; Run mode not allowed or No Redundancy Links and Primary CPU has control; Run mode not allowed fault and the local CPU selects or remains in STOP mode.

If the local CPU is not connected to any redundant devices, the CPU logs a No Redundancy Links and No redundant PROFINET Devices Connected; Run mode not allowed fault and the local CPU selects or remains in STOP mode.

6.8.2 Validity of PROFINET I/O Immediately after a Configuration Download

When you download a hardware configuration to a PACSystems controller, it can take several seconds for that controller's PNCs to come online and for each PNC to bring its configured I/O devices online. The CPU does not prevent you from putting it into RUN mode while it is in the process of bringing the PROFINET I/O online. Because one can command a PACSystems CPU into RUN mode before all of its I/O devices are ready, you should be aware of the following.

Inputs and Input Point Faults

When a **redundantly-controlled** PROFINET I/O device is not online with the **Active** unit, the Active CPU sets that device's inputs to the default values and sets the corresponding input point faults to the faulted state. On a STOP to RUN transition, these inputs and input point faults will remain in this state until that I/O device comes online and starts transferring inputs to the PNC in the Active unit,

When a **simplex** PROFINET IO device is not online, the CPU for which that device is configured will set that device's inputs to the default values and set the corresponding input point faults to the faulted state. On a STOP to RUN transition, these inputs and input point faults will remain in this state until that I/O device comes online and starts transferring inputs to corresponding PNC.

Therefore, if the control application needs to know whether a set of PROFINET inputs is valid, it must refer to the input point faults.

Output Point Faults

When a **simplex** PROFINET I/O device is not online, the CPU for which that device is configured for will set the output point faults for that device to the faulted state.

However, the Hot Standby CPUs do not support use of the output points faults associated with **redundantly-controlled** PROFINET I/O Devices. Thus, the application should not use the point faults that correspond to redundantly-controlled PROFINET outputs.

6.9 RUN with Outputs Disabled Mode

RUN with Outputs Disabled mode causes all physical outputs to go to their default state in that controller. Inputs are still scanned and logic is solved. A CPU in RUN with Outputs Disabled mode may be the Active unit.

The following guidelines apply to using RUN/DISABLED mode with PACSystems Hot Standby CPUs.

1. If a unit is in RUN/DISABLED mode, its #LOC_RDY %S reference and #REM_RDY %S reference of the other unit are not set and the corresponding LEDs on the RMX modules are OFF. This indicates that the unit (with #LOC_RDY reference off) is not available to drive outputs.
2. If a unit is in RUN/ENABLED mode and the other unit is in RUN/DISABLED mode, the unit in RUN/ENABLED mode does not use its synchronized fault action table. Instead, it uses the user-configurable fault actions since there is no Backup available to drive outputs.
3. Redundantly controlled PROFINET devices only enable their outputs if the Active unit has its outputs enabled. This means that whenever the Active unit is in RUN/DISABLED mode, the redundantly controlled PROFINET outputs are commanded to their default states.
4. Redundantly controlled Genius devices and ENIUs will enable their outputs if either unit (Active or Backup) has its outputs enabled. As long as these outputs are included in the output transfer list, their values will be copied from the Active unit to the Backup unit during the Output Data transfer. This means that the output devices will be commanded to the output values that were calculated by the Active unit. (There is one exception to this. It is described by item #5.)

Note: When a Genius output is connected to both Redundant CPUs, that output should always be included in the output transfer list.

5. If the Outputs from Active Unit Only configuration parameter is enabled in an ENIU, placing the Active controller in RUN/DISABLED mode will result in that ENIU's outputs being held in their last state.

Note: If the Backup unit is in RUN/DISABLED mode, the Backup unit continues NOT to drive outputs upon failure of the Active unit and therefore is not a complete Backup.

6.10 RUN to STOP Mode Transition

The behavior of a Hot Standby CPU Redundancy system when one of the two units stops is dependent upon whether the two units were previously synchronized. If the units were synchronized, the behavior also depends upon whether the stopped unit was previously the Active unit.

- When the Backup unit from a pair of synchronized controllers goes to STOP mode, the Active unit will continue to control the Redundant I/O.
- When the Active unit from a pair of synchronized controllers goes to STOP mode, the Backup unit will become Active and take control of the Redundant I/O. Additional information on the switchover process can be found in Section 6.7, *Switching Control to the Backup Unit*.

Since most RUN to STOP transitions in a Hot Standby system occur as the result of a fault condition, refer to Section 7:, *Faults*, for additional information.

6.10.1 Behavior with PROFINET I/O when no Healthy Redundancy Links are Available

When a CPU that does not have any healthy redundancy links (for example, a standalone CPU) goes from RUN to STOP, each of its PNCs will log a Loss of Device fault for each redundant device that is present and configured. It will take approximately 5 seconds for those PNCs to re-connect to at least one of those devices (and log an Add'n of Device fault for it). During this period of time, the CPU will not allow itself to be put back into RUN mode. If a second CPU (without healthy redundancy links) is also present, it will exhibit the same behavior.

Once a CPU that does not have any healthy redundancy links goes from RUN to STOP, that CPU will not see any faults from the redundant controlled IO Devices. Faults from the devices will be ignored until either a) the CPU returns to RUN mode OR b) the redundancy links are recovered. If a second CPU (without healthy redundancy links) is present, it will exhibit the same behavior.

6.11 Error Checking and Correction

Error checking and correction (ECC) allows the CPU firmware to detect errors in memory and correct some of them on the fly. This added layer of checking differs from parity checking in that it can correct a single-bit error. If the ECC error is a single-bit corrected error, the CPU generates a diagnostic fault and sets %SA0006 so that you can know of a possible impending problem and take corrective action. If the ECC error is a multi-bit error, which cannot be corrected, the CPU logs a fatal fault and goes to Stop-Halt mode.

The Error Checking and Correction function of the memory controller is enabled on the redundant CPU regardless of the Background Window Timer setting. This provides parity like checking on the contents of every RAM location: the ECC bits are set on every non-cached memory write and checked on every non-cached memory read. If you are comfortable with the level of integrity checking that the ECC function provides, you may choose to disable the additional background RAM tests entirely by setting the Background Window Timer value to 0.

6.12 Timer and PID Functions

Timer and PID function blocks remain in lock-step between two synchronized units provided:

1. Enabling logic for each function is identical on both units. This includes power flow, how often the block is called, and so forth.
2. The block in which the function occurs has the same name in both units. Note that `_MAIN` is always common.
3. Reference registers (3 for timers, 40 for PID), enabling references, and reset references for each timer and PID function block are included in the data transfer lists.

For example, if the following ladder logic appears in the `_MAIN` block on both units, `% M100`, `%R250`, `%R251`, and `%R252` must all be included in the output data transfer list to keep this timer synchronized between the two units:

Figure 43: Ladder Logic for Synchronizing Timer



6.13 Timed Contacts

When both systems are synchronized, timed contacts (`%S3`, `%S4`, `%S5`, `%S6`) have exactly the same value in both units. For example, whenever `T_SEC` is on in one unit, it also is on in the other unit as long as both units are synchronized.

6.14 Multiple I/O Scan Sets

The Redundant CPU supports the configuration of multiple scan sets. However, it is strongly recommended that the redundant I/O be configured in the default scan set (Scan Set 1), which is scanned every sweep. The I/O scan set feature allows the scanning of I/O points to be more closely scheduled with its use in user logic programs.

If an I/O Scan set is not scanned every sweep, it is not guaranteed to be scanned in the same sweep in the Primary and Secondary CPUs. For example, if the Primary and Secondary CPUs each have a scan set that is scanned every other sweep (that is, PERIOD=2), the Primary CPU might scan its scan set in one sweep and the Secondary CPU scan its scan set in the next.

Use of non-default scan sets can cause variance in the time the units get to the rendezvous points. This should be considered when determining the Fail Wait Time.

Redundantly controlled PROFINET inputs and outputs must be assigned to IO scan sets that are scanned every sweep (such as Scan Set 1). This requirement is enforced during CPU configuration.

6.15 Genius Bus Controller Switching

For PACSystems Hot Standby CPUs, Genius outputs are always enabled for both units (unless explicitly disabled) so that bumpless switching is possible regardless of which unit is currently the Active unit. Because of the way Genius Hot Standby operates, all redundant Genius outputs must be included in the output transfer lists.

Genius Bus Controllers stop sending outputs to Genius devices when no output data has been received from the CPU for a period equal to two times the configured watchdog timeout.

If the Primary CPU becomes inoperative in an uncontrolled fashion (for example, because of a power failure), the Genius Bus Controllers detect this within twice the watchdog setting, and stop sending outputs to the Genius devices. After three Genius I/O bus scans of not receiving data from the Genius Bus Controllers at Serial Bus Address 31, the Genius devices use the output data supplied by the Genius Bus Controller(s) at Serial Bus Address 30 (i.e. controlled by the Secondary CPU), if available.

For example, if the system has a 200ms watchdog timeout and 5ms Genius bus scan time, and the Primary CPU main rack loses power, any Genius Bus Controllers in expansion racks will wait 400ms and then stop updating outputs on Genius devices. After 3 scans (15ms in this example), the Genius devices will recognize that the data supplied by SBA 31 is not being updated, and will begin to accept output data from SBA 30 (i.e. from the Secondary CPU) and will begin to drive any output

circuits based on data from SBA 30. Note that any Genius Bus Controllers in the Primary CPU main rack would stop driving outputs immediately since they would also lose power. Genius devices on these buses would begin driving data from the Secondary CPU within 15ms.

Note: For fastest switching, all Genius Bus Controllers in the Hot Standby CPU Redundancy system should be installed in the main rack. This causes the Genius Bus Controllers to lose power at the same time that the CPU loses power. This, in turn, allows the Secondary CPU to gain full control of the I/O as soon as possible.

For single bus Genius networks, if outputs are not available on Serial Bus Address 30 or 31, the outputs on the devices revert to default or hold last state (as configured on the individual Genius device).

For dual bus networks, if a Genius device detects that no output transmission is being received from either Serial Bus Address 30 or 31 on a given bus, the BSM will switch to the alternate bus. In the event output data is not available on either bus, then the block's outputs revert to default or hold last state (as configured on the individual Genius device).

6.16 Redundant IP Addresses

Each unit contains at least one Ethernet interface that is assigned a direct IP address, which is used to directly access the specific controller. A third, redundant, IP address can be assigned to the pair of Ethernet interfaces in the Primary and Secondary controller units. All data sent to the redundant IP address (including EGD produced to the redundant IP address) is handled by the Active controller. When Active, the Ethernet interface always initiates communications using the redundant IP address. (EGD production is the only exception. EGD production can be configured to use either the direct or redundant IP address as the source IP address.) When the controller is in the Backup state, all communications are initiated through the direct IP address.

Each Ethernet interface in the system can be set up as part of a pair that shares a redundant IP address. Each unit can also include Ethernet interfaces that are not part of a redundant IP pair.

6.16.1 Validation and Activation of Redundant IP Addresses

Immediately after configuration, neither Ethernet interface responds to the redundant IP address. When notified by the CPU that the unit has become Active, the Ethernet interface determines whether the redundant IP address is in use on the network. If the address is not in use on the network, the Ethernet interface activates the redundant IP address and sends out an address resolution protocol (ARP) message to force all other Ethernet devices on the network to update their ARP cache. This ARP message is sent so that communications to the redundant IP address will be directed to the newly Active unit. At this point the Ethernet interface responds to both the redundant IP address and its direct IP address. When commanded to begin EGD production by the CPU, the Ethernet interface in the Active unit verifies that it has successfully obtained the redundant IP address. EGD production does not begin until the Ethernet interface obtains the redundant IP address.

If the redundant IP address is in use by another device on the Ethernet network, the Ethernet interface periodically attempts to verify that the address is not in use. The Ethernet interface attempts to verify the redundant IP address until it determines the redundant IP address is no longer in use on the network or until the Ethernet interface transitions to Backup due to either a notification from the CPU that the unit has become the Backup unit or a failure that results in the Ethernet interface transitioning to Backup.

6.16.2 Monitoring and Deactivation of Redundant IP Address

The Ethernet interface monitors the status of the CPU. If the Ethernet interface determines that it can no longer communicate with the CPU, it deactivates the redundant IP address. The Ethernet interface also deactivates the redundant IP address when notified by CPU that the Active unit has transitioned to Backup.

When the Ethernet interface deactivates the redundant IP address, it transitions to the Backup state. In the Backup state, the Ethernet interface no longer responds to the redundant IP address, but forwards

any packets received by the interface destined for the redundant IP to the Ethernet interface in the Active controller. If the Backup unit continues to receive packets destined for the redundant IP address, it sends gratuitous ARP messages containing the redundant IP address and after a number of time periods it logs an exception, which is recorded in the controller CPU fault table as a LAN System Software Fault.

6.16.3 Operation of Redundant IP Address if both Redundancy Links Fail

For systems that contain redundantly controlled PROFINET I/O, if both redundancy links fail, the unit that was the synchronized Active unit goes to STOP mode. As a result, the previously Active unit relinquishes the redundant IP address and the newly Active unit is able to obtain it.

For systems that use redundantly controlled Genius or ENIU I/O, if both redundancy links fail, both units can become non-synchronized Active units. In this case, both units attempt to use the redundant IP address, but only one will succeed. If one of the two units was already Active and responding to the redundant IP address, it continues to do so; the unit that was Backup will not be able to activate the redundant IP address.

CAUTION

When using the redundant IP feature with Genius or ENIUs, the application should take steps to ensure that the CPU that owns the redundant IP address is the same CPU that maintains control of the outputs. This becomes an issue when both CPUs are operating as NSAUs (known as split control), since both units attempt to control the process independently. Running both CPUs as NSAUs is not recommended and should be corrected as soon as possible. Refer to Section 7.5.1, *Online Repair Recommendations*.

Additional details on the operation of the Ethernet Interface can be found in *PACSystems RX3i and RSTi-EP TCP/IP Ethernet Communications User Manual*, GFK-2224.

6.17 Ethernet Global Data in an HSB Redundancy System

Note that two redundant units are not guaranteed to consume a given exchange on the same controller sweep when using redundant IP. When using *Produce in Backup Mode*, the Backup unit is not guaranteed to produce data on the direct IP at exactly the same time the Active unit produces data on the redundant IP for a given exchange.

6.17.1 Ethernet Global Data Production

By default, only the Active unit produces EGD exchanges. This reduces the amount of traffic on the Ethernet network and simplifies the handling of the exchanges by the consumer. In particular, the consumer is able to consume exchanges from the redundant system in the same way it consumes exchanges from simplex (non-redundant) systems.

Individual exchanges can be configured for *Produce in Backup Mode*. The Backup unit produces these exchanges through the Ethernet module's direct IP address.

If the controller is set to Stop-IO Disabled mode, outputs are disabled on the Active unit, and neither unit produces EGD.

In an Ethernet Interface pair with Redundant IP enabled, a newly active Ethernet interface arbitrates for the redundant IP address and delays EGD production accordingly. If both redundant units become non-synchronized Active units (this can occur if no redundancy links are functioning), for each redundant pair, the Ethernet Interface that owns the redundant IP address will produce exchanges through the Redundant IP address.

If Redundant IP is not enabled, the Ethernet Interfaces in both units produce exchanges through their direct IP addresses.

The Producer ID as well as all production exchanges should be identical for both units. This allows the consumer to continue consuming exchanges from the redundant system when the Backup unit becomes Active.

Configuring Exchanges to be Produced in Backup Mode

In Machine Edition, to configure a production exchange to be produced in Backup mode, go to the Project view, expand the Ethernet Global Data folder, select the exchange and set its *Produce in Backup Mode* property to True.

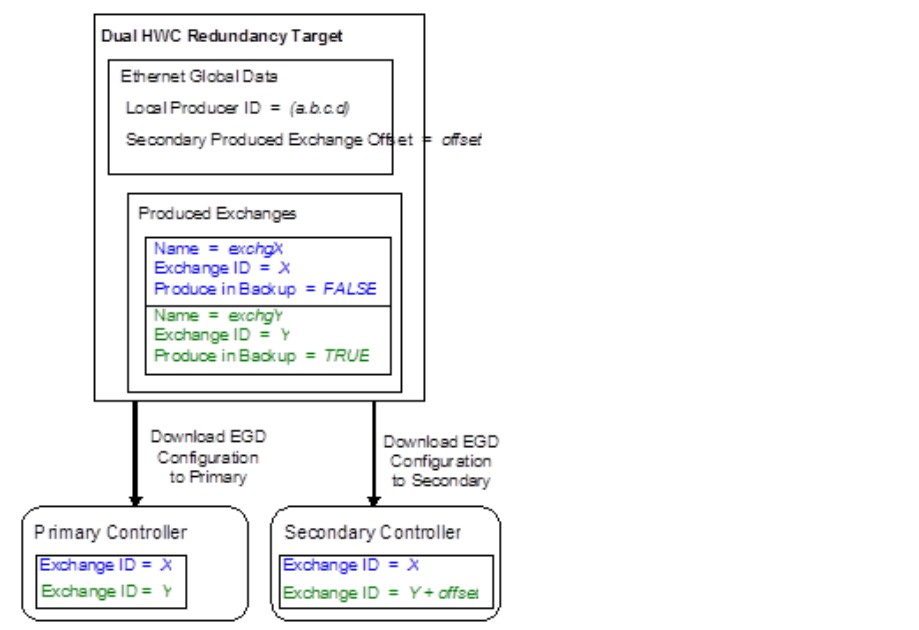
To change the offset from the default value of 1000, select the Ethernet Global Data folder and set the Secondary Produced Exchange Offset property to the desired value.

For exchanges that are produced in Backup mode, an offset must be added to the Exchange ID. This ensures that the Exchange ID is unique for those exchanges that are produced simultaneously by the Active and Backup controllers.

For an HSB system using dual HWC, one set of EGD configuration data is used to create EGD configuration files for both the Primary and Secondary controllers. When Machine Edition creates the EGD exchange files for download to the Secondary controller, it adds the Secondary offset to the Exchange ID for each exchange configured to *Produce in Backup*.

For non-dual HWC systems, it is the user's responsibility to ensure that the same offset value is specified in both the Primary and Secondary target projects.

Figure 44: Exchange ID Offset in Dual HWC HSB System



6.17.2 Ethernet Global Data Consumption

Both the Active and Backup units consume EGD exchanges in RUN mode, regardless of whether or not the units are synchronized.

It is recommended that all consumption exchanges be configured identically for both units. In addition, these exchanges must be configured as multicast or directed to the Redundant IP address.

The consumption of multicast exchanges occurs independently on the two units. The Ethernet modules obtain a copy of multicast exchanges at the same time, but reading of that exchange in the two CPUs may be phased by one sweep. This can result in the two units seeing different values for the same exchange in a given sweep. Only the Active unit consumes exchanges directed to the Redundant IP address.

If data from the exchanges must be seen identically on the two units, the reference data for the exchanges can be transferred from the Active unit to the Backup unit during the input data transfer. That transfer occurs shortly after the EGD consumption portion of the CPU sweep. Exchange variables transferred must be placed into %I or %AI memory to participate in the input data transfer.

Section 7: Faults

This chapter describes how faults are handled in a Hot Standby CPU Redundancy system.

- Fault Response
- Fault Actions
- Controller Fault Table Messages for Redundancy
- Redundancy Link Failures
- Online Repair and System Upgrade

7.1 Fault Response

CAUTION

When using the redundant IP feature with Genius or ENIUs, the application should take steps to ensure that the CPU that owns the redundant IP address is the same CPU that maintains control of the outputs. This becomes an issue when both CPUs are operating as NSAUs (known as split control), since both units attempt to control the process independently. Running both CPUs as NSAUs is not recommended and should be corrected as soon as possible. R Refer to Section 7.5.1, *Online Repair Recommendations*.

The Hot Standby CPU Redundancy system detects and reports failures of all critical components so that appropriate control actions can be taken. All components that acquire or distribute I/O data or that are involved in execution of the control logic solution are considered critical components.

A **fatal** fault in the Active unit causes a switch of control to the Backup unit. A **diagnostic** fault allows the currently Active system to continue operating as the Active system.

Faults within the unit may be such that:

- The CPU has a controlled shutdown,
- The CPU has an uncontrolled shutdown, or
- The CPU continues to operate.

If the CPU detects an internal fault and has a controlled shutdown, it logs a fault, goes to Stop/Fault mode, and notifies the other CPU. If the

fault was detected on the Active unit, the switchover does not normally occur until the next sweep. The exception is when the Active unit detects a fatal fault during the input scan. In that case, the two units switch roles just before performing the input data transfer.

If the CPU has an uncontrolled shutdown, the CPU logs a fault if it can and proceeds as described above. When the Backup CPU detects that the Active CPU has failed (either by receiving notification, by detecting that both redundancy links have failed, or by detecting failure of the Active CPU to rendezvous at the next synchronization point within the Fail Wait Time) it becomes an unsynchronized Active unit.

For cases where both redundancy links have failed, including the Fail Wait Timeout case, refer to Section 7.4.3, *When the Last Redundancy Link Fails*.

7.1.1 Faults for PROFINET I/O

When a redundantly-controlled PROFINET IO Device reports a fault, that fault only appears in the unit that was Active when the fault was reported. These faults do not appear in the Backup unit. Examples of these faults are: Loss of I/O Module, Addition of I/O Module, Channel Diagnosis Appears (for example, Power supply fault), and Channel Diagnosis Disappears.

However, whenever a controller loses communication with an entire PROFINET IO Device, a Loss of Device fault will appear in that unit regardless of whether that unit is Active or Backup. The same is true for Addition of Device faults. Also, whenever a controller establishes a connection to an IO-Device, faults for missing and mismatched I/O modules will always appear in that controller regardless of whether it is Active or Backup.

When the CPU or rack has failed, faults detected at the PROFINET I/O controller (PNC) are logged locally at the PNC module, but cannot be delivered to the CPU's I/O Fault table.

7.2 Fault Actions

Fault actions in the Hot Standby CPU Redundancy System are handled differently than fault actions in a simplex (non-redundant) system. When the units are synchronized, the types of faults that are considered to be FATAL (i.e., cause the CPU to stop) are not configurable. The following types of faults are considered FATAL when the units are synchronized:

- Any failure that causes loss of control of I/O
- Any failure that degrades the performance

Note: In a Hot Standby CPU redundancy system, a Fatal fault from an I/O Controller causes a synchronized unit to transition to STOP/FAULT mode. All Diagnostic faults allow the CPU to remain in Run mode.

7.2.1 Configuration of Fault Actions

You can configure whether certain faults are considered fatal when the CPUs are not synchronized.

The following should be considered when configuring the fault actions for a redundant CPU. For a given fault that is fatal for the synchronized case, if you set the non-synchronized fault action to be diagnostic, there is a chance that a less healthy unit could remain the Active unit even after a healthier Backup unit is placed in Run mode. For example, if you were to configure Loss of or Missing Rack failures as diagnostic, the following sequence of events could occur:

1. If an expansion rack fails when the units are synchronized, the unit with the rack failure will transition to STOP/FAULT mode and the other unit will become a non-synchronized Active unit.
2. If an expansion rack fails in the non-synchronized Active unit, a diagnostic fault will be logged but the unit will stay in RUN mode and continue to control the process.
3. If the first unit is repaired and then transitions to Run, the second unit with the failed expansion rack will stay in RUN mode and will remain in control of the process.

To prevent this situation, you could include logic to shut down the less healthy unit or request a role switch.

Also, a unit with the fault actions set to diagnostic can be placed in RUN mode and become the Active unit even though it could have a diagnostic fault, which would be logged as fatal in a synchronized system.

For example, if an expansion rack fails while in STOP mode or while transitioning to RUN mode, a diagnostic fault is logged. However, the unit will still transition to RUN. In addition, if you have programmed a Preferred Master algorithm, this unit will become the Active unit. To prevent this situation, you could include logic to shut down the less healthy unit or modify the role switch logic.

7.2.2 Configurable Fault Groups

The following table shows the configurable fault groups and their fault actions. There are three possible fault actions:

Fatal	Faults always stop the controller.
Diagnostic	Faults never stop the controller.
Conditionally Fatal	Faults stop the controller if and only if the I/O Controller indicates that the fault is fatal.

Table 19: Configurable Fault Groups

Group	Name	Table Type	Non-Synchronized Fault Action		Synchronized Fault Action (fixed)
			Default	Configurable	
1	Loss of or Missing Rack	Controller	Diagnostic	Yes	Fatal
2	Loss of or Missing I/O Controller	I/O	Diagnostic	Yes ¹²	Fatal
3	Loss of or Missing I/O Module	I/O	Diagnostic	Yes	Diagnostic
4	Loss of or Missing Option Module	Controller	Diagnostic	Yes	Diagnostic
9	IOC or I/O Bus Fault	I/O	Diagnostic	Yes	Conditionally Fatal ¹³
11	System Configuration Mismatch	Both	Fatal	Yes	Diagnostic
12	System Bus Error	Controller	Fatal	Yes	Fatal
15	IOC Software Failure	I/O	Diagnostic	Uses LOSS_IOC setting	Conditionally Fatal ¹³
24	CPU Over Temperature	Controller	Diagnostic	Yes	Fatal
38	Recoverable Local Memory Error	Controller	Diagnostic	Yes	Diagnostic

¹² Even if the non-synchronized fault action for the Loss of IOC fault group is configured as Fatal, the Controller will not go to STOP/FAULT mode unless both Genius Bus Controllers of a dual bus pair fail.

¹³ Conditionally Fatal: When an I/O Controller logs a fault in one of these fault groups, it notifies the Controller whether it can continue to operate or not by placing Diagnostic or Fatal in the fault's Fault Action field. For the cases where the table above indicates *Conditionally Fatal*, the Controller applies the fault action selected by the I/O Controller.

7.2.3 Non-Configurable Fault Groups

The table below shows the non-configurable fault groups and their fault actions. There are two possible fault actions: Fatal and Diagnostic.

- Fatal faults always stop the controller;
- Diagnostic faults never stop the controller.

Table 20: Non-Configurable Fault Groups

Group	Name	Table Type	Fault Action
5	Addition of or Extra Rack	Controller	Diagnostic
6	Addition of, Reset of, or Extra IOC	I/O	Diagnostic
7	Addition of, Reset of, or Extra I/O Module	I/O	Diagnostic
8	Addition of, Reset of, or Extra Option Module	Controller	Diagnostic
10	I/O Module Fault	I/O	Diagnostic
12	System Bus Error	Controller	Fatal
13	CPU Hardware Failure	Controller	Fatal
14	Module Non-Fatal Hardware Error	Controller	Diagnostic
16	Option Module Software Failure	Controller	Diagnostic
17	Program Block Checksum Mismatch	Controller	Fatal
18	Low Battery	Controller	Diagnostic
19	Constant Sweep Time Exceeded	Controller	Diagnostic
20	Controller Fault Table Full	Controller	Diagnostic
21	I/O Fault Table Full	Controller	Diagnostic
22	User Application Fault	Controller	Diagnostic
129	No User Program Present at power-up	Controller	Diagnostic
130	Corrupted User Memory	Controller	Fatal
131	Window Completion Failure	Controller	Diagnostic
132	Password Access Failure	Controller	Diagnostic
134	NULL System Configuration for RUN Mode	Controller	Diagnostic
135	CPU Software Failure	Controller	Fatal
137	Controller Sequence Store Failure: Communication failure during a store operation by the programmer. This fault results when the start-of-store sequence was received but not an end-of-store sequence.	Controller	Fatal
138	Redundancy Informational Message	Controller	Informational

7.2.4 Fatal Faults on Both Units in the Same Sweep

It is very unlikely that a fatal fault would occur on both units in the same sweep. If that should happen, however, the first CPU to detect a fatal fault will use the synchronized fault action table. The other CPU will use the non-synchronized fault action table. This allows one of the units to stay in Run mode when the synchronized fault action is Fatal and the non-synchronized fault action is diagnostic.

7.3 Controller Fault Table Messages for Redundancy

The following table lists messages, descriptions, and corrective actions for error codes associated with the redundancy fault group. These error codes can be viewed in the Fault Tables provided by Machine Edition. The entire fault data (including these error codes) can also be accessed using SVC_REQ 15 and 20.

7.3.1 Redundancy Fault Group (138)

Table 21: Redundancy Fault Group (138) Error Codes

Error Code	Message	Fault Description	Corrective Action
1	Primary CPU is Active and Secondary CPU is Backup.	The Primary and Secondary CPUs have switched roles, the Secondary transitioned to Run after the Primary, or both units transitioned to Run at the same time.	None required.
2	Secondary CPU is Active and Primary CPU is Backup.	The Secondary and Primary CPUs have switched roles, or the Primary transitioned to Run after the Secondary.	None required.
3	Primary CPU is Active; no Backup unit available.	The Primary CPU has transitioned to Run mode or Secondary CPU was put into Stop mode. The Primary CPU is running without a Backup.	To have a synchronized system, the Secondary CPU must be placed in RUN mode with a compatible configuration.

Error Code	Message	Fault Description	Corrective Action
4	Secondary CPU is Active; no Backup unit available	The Secondary CPU has transitioned to RUN mode or Primary CPU was put into Stop mode. The Secondary CPU is running without a Backup.	To have a synchronized system, the Primary CPU must be placed in RUN mode with a compatible configuration.
5	Primary CPU has failed; Secondary CPU is Active w/o Backup.	The Primary CPU has recorded a fatal fault or the Secondary has lost communications with the Primary. The Secondary CPU is running without a Backup.	If Primary CPU has also logged the fault Secondary CPU Has Failed: Primary CPU is Active w/o Backup, communications are broken between the two units and must be repaired. If a fatal fault has been logged in the Primary CPU, the indicated fault must be repaired. Power may have to be cycled on one of the units in order to re-establish communications and return to a synchronized system.
6	Secondary CPU has failed; Primary CPU is Active w/o Backup.	The Secondary CPU has recorded a fatal fault, or the Primary CPU has lost communications with the Secondary. The Primary CPU is running without a Backup.	If Secondary CPU has also logged the fault Primary CPU Has Failed: Secondary CPU is Active w/o Backup, communications have been broken between the two units and must be repaired. If a fatal fault has been logged in the Secondary CPU, the indicated fault must be repaired. Power may have to be cycled on one of the units in order to re-establish communications and return to a synchronized system.
8	Unable to Switch Redundancy Roles	An attempt to switch redundancy roles was made when it was not possible to perform the switch.	None required.

Error Code	Message	Fault Description	Corrective Action
9	Primary and Secondary CPUs are incompatible	This unit could not be placed into RUN mode because the configurations were not compatible.	Correct the configurations so that the CPUs have compatible transfer lists and the same point faults enabled setting. In addition, if one CPU has redundantly controlled PROFINET I/O configured, the other CPU must also have redundantly controlled PROFINET I/O configured.
10	CPU to CPU communications terminated	Synchronization protocol has been violated.	Contact Technical Support. If the fault is accompanied by a Loss of Module fault, see corrective action for 'Loss of Module' fault. The link can be restored to service by power cycling either unit or storing configuration to either unit.
11	Redundant Link has timed out	The CPU has timed out while waiting on communications from the other unit.	Contact Technical Support. The link can be restored to service by power cycling either unit or storing configuration to either unit.
12	Units Are Not Fully Synchronized	Due to actions taken by the user, the two units in a CPU redundant system are not fully synchronized. This means the Backup unit is not executing with the same inputs and/or outputs as the Active unit while the units are synchronized due to data transfers being disabled.	Disable the logic that executes SVC_REQ 43.
14	Redundant link communication failure	Communications with the other CPU over this link have failed.	If the other unit failed or lost power, cycle power to it. Verify one CPU is configured for Primary and the other for Secondary. Check the cable connections between the two RMX modules. If the fault is accompanied by a Loss of Module fault, see corrective action for Loss of Module fault. Otherwise, contact Technical Support.

Error Code	Message	Fault Description	Corrective Action
15	Fail Wait Time exceeded	The other CPU failed to rendezvous at a synchronization point within the Fail Wait Time.	Increase the configured Fail Wait Time.
17	Could not synchronize with the remote.	The remote unit is unable to synchronize with the local unit because it is performing an RMS.	Attempt to synchronize after the remote unit completes its RMS.
18	No Redundancy Links; Secondary took control	The Primary CPU stopped because the last redundancy link failed and the Secondary CPU took control of the I/O.	Repair the redundancy links. Refer to Section 7.4, <i>Redundancy Link Failures</i> .
19	No Redundancy Links; Primary took control	The Secondary CPU stopped because the last redundancy link failed and the Primary CPU took control of the I/O.	Repair the redundancy links. Refer to Section 7.4, <i>Redundancy Link Failures</i> .
23	RDN_Link_Comm_Restored	“Redundancy link communications restored” . This fault is logged when the system detects that at least one of the Redundancy Ethernet links has been reconnected.	This fault does not indicate that the system is synchronized. A manual Stop to Run transition is required for synchronization.
24	RDN_Enet_Link_Lost	“Redundancy Ethernet link lost” . This fault is logged when the system detects that one of the Redundancy Ethernet links is lost. A disconnected cable usually causes this.	Examine LAN3 cabling and connections.
25	RDN_Enet_Link_Restored	“Redundancy Ethernet link restored” . This fault is logged when the system detects that one of the Redundancy Ethernet links that were previously lost is restored.	No further action required

7.3.2 Other Fault Groups

The following table lists messages, descriptions, and corrective actions for error codes associated with redundancy in other fault groups.

Table 22: Other Fault Groups Error Codes

Group	Error Code	Message	Fault Description	Fault Description Corrective Action
Loss of IOC (2)	None	Loss of IOC	The CPU generates this error when it cannot communicate with an I/O Controller and an entry for the IOC exists in the configuration file.	Install the missing module or correct the configuration. Otherwise, replace the module and contact Technical Support.
Loss of Option Module (4)	Various	Loss of or missing option module or Redundant link hard failure occurred	The module is missing or the CPU has determined that the module has failed.	Install the missing module or correct the configuration. Otherwise, replace the module and contact Technical Support.
I/O Bus Fault (9)	None	SBA conflict. (RX7i only)	The bus controller has detected that another device on the Genius network is already using the same serial bus address	Verify that one CPU is configured for Primary and one for Secondary. Correct the configuration of the Genius devices.
	1	Invalid module configuration	CPU or PNC versions might not support redundantly controlled PROFINET I/O.	Update to latest CPU and PNC firmware version.
	2	Unsupported module configuration detected		
	5	Error processing backplane interrupt	CCPU does not support I/O module interrupts.	Remove I/O interrupts from configuration.
	10	Multiple Media Redundancy Managers MRMs) detected	Multiple MRMs have been detected on the ring network. There must be exactly one manager.	Identify and remove the extra MRM.
	11	Multiple MRMs resolved	Multiple MRMs are no longer present on the ring network.	None required.
	12	Redundant Ethernet network ring broken (open)	The MRM has detected that the network ring is broken. Possible causes: pulled or broken network cable, device in the ring failed, etc.	Locate and repair the network break.

Group	Error Code	Message	Fault Description	Fault Description Corrective Action
	13	Redundant Ethernet network ring okay (closed)	The MRM has detected that the network ring is closed.	None required.
	Various	Internal runtime error	Software error at PNC module	Contact Technical Support.
CPU System Software (135)	148	Units contain mismatched firmware; update recommended.	The redundant CPUs have different firmware revision levels. Having different revisions of firmware in the CPUs is intended for short-term synchronization only.	Upgrade the CPUs so that they have the same revision of firmware according to the firmware upgrade procedure.
Configuration Mismatch (11)	75	ECC jumper should be enabled, but is disabled	When redundancy firmware is installed in the CPU module, the ECC jumper must be in the enabled position.	Set the ECC jumper to the enabled position (jumper on both pins). See the instructions provided with the firmware upgrade kit.
Recoverable Local Memory Error (26)	1	Recoverable local memory error	A single-bit error was encountered and corrected. %SA00006 is set.	The CPU may need to be replaced. Contact Technical Support.
CPU Hardware (13)	169	Fatal local memory error	Multiple bit ECC error.	Replace the CPU and contact Technical Support.

7.4 Redundancy Link Failures

There are distinct differences between losing an RMX redundancy link and faulting an RMX module.

7.4.1 Redundancy Memory Xchange Module Hardware Failure

Failures such as backplane errors are considered hardware failures of the RMX module. The following actions are taken when such an error is detected:

- Either a Loss of or Missing Option Module or a Redundant Link Hard Failure Occurred fault is logged in the Controller Fault Table
- A Redundant Link Communications Failure fault is logged in both units.
- All LEDs on the RMX module are turned OFF.
- The fault locating references that correspond to the module are set (i.e. the SLOT_00XX fault contact is set, where XX is the slot number for the RMX module).
- The corresponding redundancy link is no longer used. If the other link is still operating, that link is used for all further data transfer, and the units can remain in synchronization. If the other redundancy link is not available, refer to Section 7.4.3, *When the Last Redundancy Link Fails*.

Power must be cycled on the rack to restore a faulted RMX module to service.

7.4.2 Redundancy Link Communications Failures

The following errors are reported as failures of the redundancy link:

- The other unit has lost power or failed such that it can no longer communicate.
- One or both cables between the two RMX modules have failed or are disconnected.

- A network error was detected on the fiber-optic link that connects the two RMX modules. (This includes data checks on mismatches, protocol errors, and rogue packets.)
- Failure of the other CPU to rendezvous at the next synchronization point within the Fail Wait Time.

The following actions are taken when a redundancy link communications failure occurs:

1. Either a Redundant Link Communications Failure or Fail Wait Time Exceeded fault is logged in the Controller Fault Table of both units.
2. The LINK OK LEDs on both RMX modules are turned off.
3. The fault locating references that correspond to the module are set (i.e. the SLOT_00XX fault contact is set, where XX is the slot number for the RMX module).
4. The corresponding redundancy link is no longer used. If the other link is still operating, that link is used for all further data transfer, and the units can remain in synchronization. If the other redundancy link is not available or a Fail Wait Timeout occurred, refer to Section 7.4.3, *When the Last Redundancy Link Fails*.

If the RMX modules' OK LEDs are still ON, the link can be restored to service by power cycling either unit or storing a hardware configuration to either unit. If either OK LED is OFF, power must be cycled on the rack to restore that RMX module to service.

7.4.3 When the Last Redundancy Link Fails

This section describes how the system will behave when the last healthy redundancy link between a pair of synchronized controllers fails. This includes the case where one CPU does not rendezvous at a synchronization point within the Fail Wait Time.

PROFINET I/O Systems

When the last redundancy link fails, the Backup unit assumes that the Active unit has failed and takes control of the redundant I/O. As long as at least one redundantly controlled PROFINET I/O Device is online with both units, the Active unit will detect that it has lost control of the

redundant I/O: it logs a No Redundancy Links; Secondary [or Primary] took control fault and goes to Stop mode. The Backup unit becomes an NSAU and takes control of the redundantly controlled I/O devices.

However, if no redundantly controlled I/O Devices are online with both units when the last redundancy link fails, both units remain in Run mode and proceed as NSAUs. Each unit controls any simplex or redundantly controlled I/O Devices to which it was exclusively connected.

When one unit is powered off, or when its CPU or rack completely fails, the other unit becomes an NSAU and takes control of the redundantly controlled IO Devices.

When both units are powered off at the same time, or when the only functioning unit is powered off, the PROFINET I/O Devices have no connections to any controller. The PROFINET I/O Devices set their outputs to default states.

Genius and ENIU I/O Systems

When the last redundancy link fails, both units log faults and proceed as non-synchronized Active units. In this case both units attempt to control the process independently. The redundant Genius devices that are connected to both units will prefer the output values sent by the Primary CPU.

7.4.4 CPE400/CPL410 Redundant Link Recovery

A Redundant CPE400/CPL410 has the ability to recover single and double Ethernet link losses.

Single Link Loss

If one of the 2 Ethernet cables is disconnected from the Redundant Pair, the Redundancy link communications will continue on the remaining link. The user can then reconnect the lost cable and communications will be restored on that cable almost immediately. Ethernet Link Lost/Restored faults will be logged in the controller fault table.

Double Link Loss

If both of the Ethernet cables are disconnected from the Redundant Pair, Redundancy Communication will cease and synchronization will be lost. A Redundancy Link Communication failure fault, and a fault for each Ethernet link lost will be logged on the controller fault table. If the user reconnects 1 of the 2 Ethernet cables, the system will restore the Redundancy Communications after 10 seconds and log a Redundancy Communications Restored fault, in addition to an Ethernet Link Restored fault for each connection made.

Note: The System will not automatically restore the redundancy state (Active/Backup), just the communications. The user will have to do a manual STOP/RUN transition to get the units synchronized again.

7.5 Online Repair and System Upgrade

With a Hot Standby CPU Redundancy system, most system component failures can be repaired by replacing the failed component while the system is online. You could choose to replace components for other reasons, such as upgrading to a new model of a module. CPUs in both units must have the same model types and firmware version.

7.5.1 Online Repair Recommendations

Note: If the LOCAL ACTIVE LEDs are ON and the REMOTE ACTIVE LEDs are OFF on both units, the system is operating under split control, that is, with both units operating as NSAUs. Do not use this procedure if this condition exists, since neither unit has the Backup role. Additionally, in a system that uses ENIU I/O, there is no guarantee that all ENIUs are taking outputs from the same controller. Refer to Section 7.5.6, *Repair of a Non-Synchronized Active Unit (NSAU) Split Control System*.

To replace a component online, it is strongly recommended that you follow this procedure:

1. Make sure the unit to be repaired is the Backup unit. (The LOCAL ACTIVE LED should be OFF and the REMOTE ACTIVE LED should be ON. You can also confirm this by viewing the Redundancy tab of the programmer's online status dialog box.) If the unit to be repaired is already in Stop mode, skip this step. If the unit to be repaired is Active, activate the Role Switch on the RMX module.
2. Power-off the unit to be repaired.

3. Replace the defective component.
4. On the CPU of the repaired unit, place the Run/Stop switch in the Stop position.
5. Power on the repaired unit.
6. After several seconds, verify that the LINK OK LEDs are ON for all RMX modules in both units. If the LINK OK LEDs are not on, refer to the Controller Fault Table.
7. If the repaired CPU is in Stop/Fault mode, verify that there are no unexpected faults and then clear the Fault Tables.
8. Place the repaired unit into RUN mode by putting the Run/Stop switch in the Run position.

7.5.2 Hot Swapping of Modules (RX3i Systems Only)

RX3i redundancy systems support hot swapping of modules to the same extent allowed in simplex systems. Modules that support hot swapping can be removed and replaced in the RX3i main rack and in ENIU remote racks while the rack is powered up. For a list of modules that support hot swapping, refer to the *PACSystems RX3i System Manual*, GFK-2314.

Hot Swapping RMX 128 Modules

The RX3i RMX128/RMX228 module supports hot insertion and removal. However, the redundancy communication link associated with a hot swapped RMX module will not be restored automatically. The LINK OK indicator on both RMX modules in the link will be OFF.

To restore the link while the system is in operation, first determine which unit is the Backup unit, and if possible, cycle power or store hardware configuration to that unit.

If either RMX module's OK indicator is OFF, power must be cycled on the rack to restore the RMX module to service.

7.5.3 Hot Swapping Controllers (CRU320 to CPE330)

In a redundancy system, the CRU320 controller (v8.95) in an inactive system can be removed and replaced by a CPE330 (v9.75) while the active system is hot.

The following procedure outline best practices for the (process) hotswap:

1. Identify the non-active unit through the LEDs on the front panel of the RMX module.
2. Place the non-active CPU in Stop Mode.
3. Power down the system that is in Stop mode.
4. On the replacement CPE330, put the RUN/STOP switch into Stop Mode and place the unit into the rack.
5. Hold down the *RDS D UPLD* button and turn power on to the CPE330. Continue to press the *RDS D UPLD* button until the CPE330 powers up and displays either the CPU or CRU pattern on the LEDs. (For pattern information, see Section 2.2.3.6, *Indicators CPE330* in GFK-2222.)
6. To toggle the compatibility setting, press the *RDS D DNLD* button and select the CRU320 compatibility mode.
Note: The compatibility indicator will toggle between the CPU320 compatibility and CRU320 compatibility patterns each time the *RDS D DNLD* button is pressed.
7. Press the *RDS D UPLD* button to save the setting and allow the CPE330 to continue its normal startup procedures with the new setting. The setting is maintained over a power cycle and firmware upgrade.
8. [Optional] If LAN 1 has been previously configured on the CPE330, you can connect a web browser to the CPU and verify that the CPU is listed as being in "CRU320 Compatibility mode."
9. Connect PME, right-click the (non-active) target and select "Download."
10. Verify that each of the 4 LEDs (*OK*, *CONFIG*, *SIG DETECT* and *OWN DATA*), are all turned ON to signify the module is operating properly.
11. Go to Run Mode.
12. Use the switch on the front panel of the RMX to perform a Role Switch so the newly replaced CPE330 becomes the active system according to the LEDs on the front panel of the RMX.

7.5.4 System CPU Upgrade

If you are upgrading your redundancy system with new CPU models, you will need to replace the CPUs in both units. To replace the CPUs in your redundancy system, follow the steps in Section 7.5.1, *Online Repair Recommendations*. When you have replaced the CPU in the Backup unit and returned it to RUN mode, activate the Role Switch on the RMX module and repeat steps 1–8 for the other unit.

CAUTION

During normal operation, the Primary and Secondary CPUs in an HSB redundancy system must have the same CPU model type. Extended operation with dissimilar CPU types is not allowed. Continued use of dissimilar CPU types can result in timing issues during synchronization

The Primary and Secondary CPUs with dissimilar CPU model types can be synchronized for a limited time, for the purpose of system upgrade only. Fail wait times for the higher performance CPU in a dissimilar redundant pair might need to be increased to allow synchronization. It does not matter whether the newer model is in the Primary or Secondary CPU.

7.5.5 Online Repair of the Genius Bus

Single Bus Networks

The Genius bus of a single bus network can be repaired without disturbing power to either unit. However, repairing the bus without taking the entire Hot Standby CPU Redundancy system offline is not recommended because all devices on that bus will be disconnected from the controllers while the bus is being repaired.

Dual Bus Networks

The Genius bus of a dual bus network can be repaired without disturbing power to either unit. It is recommended that you disconnect the failed bus from the GBCs before you attempt to repair it.

7.5.6 Repair of a Non-Synchronized Active Unit (NSAU) Split Control System

When Redundant CPUs lose all redundancy links and become NSAUs, there is a possibility of split control or of a failed rack controlling outputs.

In a split control situation, some of the Remote I/O devices are taking outputs from one Redundant CPU and the other Remote I/O devices are taking outputs from the other CPU. In this situation turning off one of the controllers could result in defaulting the outputs of some of the Remote I/O devices.

A situation where a failed rack controls the outputs occurs when the failed RMX module is contained in the same rack as the CPU that is currently controlling Remote Device outputs.

The procedures given in this section discusses ways to reduce the chance of defaulting outputs on some of the Remote I/O devices controlled by the Redundant CPU pair. Although these procedures might prevent defaulting outputs, they might also involve a short disruption in the outputs as the Remote I/O devices switch to taking outputs from the other CPU. It is incumbent on the user to know which CPU is controlling outputs on a specific Remote I/O Device and determine whether it is acceptable to allow those outputs to default or to be disrupted.

Initial Steps for all Systems

Determine the source of the Redundancy link failure, which can either be the fiber-optic cable or a failed RMX module.

1. Check the OK LEDs on the RMX modules. If the RMX's OK LED is off, the RMX module has failed.
If there is a failed RMX module, the rack containing the module will have to be taken offline in order to do the repair.
2. If all RMX OK LEDs are on, check the Signal Detect LEDs on the RMX modules. If the Signal Detect LED is off, it might indicate that the fiber-optic cable connected to the RX input has failed.

If there is a failed fiber-optic cable, you will need to choose which CPU to take offline to recover the redundancy link(s). Before taking one of the Redundant CPUs offline, follow the steps given below for the particular I/O system.

Genius I/O Systems

If the Genius Bus Controllers on both the Primary and Secondary CPUs are OK and actively sending outputs to the Genius devices, it is preferable to power off the Secondary CPU rack because the Genius devices prefer the Primary CPU.

- If an RMX module has failed the rack containing the failed module must be powered off, even if it is the Primary CPU rack.
- If it has been determined that the problem is due to a failed fiber cable only, you can choose to take the Secondary CPU offline.

Note: If there is a problem with Genius Bus Controller connectivity to any of the Genius I/O devices, this should be fixed before proceeding to the next steps.

CAUTION

Because the Redundant CPUs are not synchronized, taking a CPU offline can cause a disruption in the outputs. You must be prepared to handle this condition.

ENIU I/O Systems

1. Using the ENIU status data, you should determine whether all ENIUs have network connectivity to both Redundant CPUs. For details on using the ENIU status information, refer to the *PACSystems RX3i Ethernet Network Interface Unit User's Manual*, GFK-2439.

Note: If there is a problem with network connectivity to either CPU from any ENIU, this should be fixed prior to proceeding to the next steps.

2. Using the ENIU status data, determine which CPU is controlling outputs on each ENIU
 - If all ENIUs are taking outputs from one CPU (normally it will be the Primary on LAN A), it is preferable to take the Redundant CPU that is not currently controlling outputs offline.
 - If it has been determined that the problem is due only to a failed fiber cable, you can choose to take the CPU not controlling outputs offline.
 - If there are some ENIUs taking outputs from one CPU and some taking outputs from the other CPU or you need to take the CPU that is currently controlling outputs offline, for example if it contains the failed RMX module, take the desired CPU offline.

Final Steps for All Systems

RX3i Systems: Because the RX3i system supports Hot Swap of modules, the CPU can be taken offline by either powering off the rack or by stopping the CPU.

- After taking the Redundant CPU offline, replace the defective RMX module or cable and bring the CPU back online.
- If the CPU was powered off and retained its logic and configuration and is configured to Run after a power cycle, the Redundant CPUs will automatically re-establish the redundancy links and resynchronize.
- If the CPU was stopped, use the programmer to download logic and configuration and put the CPU into Run mode. This will cause the CPUs to re-establish the redundancy links and resynchronize. After the CPUs are resynchronized, the steps given in Section *Online Repair Recommendations* can be followed to fix any other failed modules in the Redundant CPU racks.

Appendix A RX3i Dual Genius Bus Overview

This appendix provides an overview of PACSystems RX3i Dual Bus Genius. Please refer to the PACSystems RX3i Dual Genius Bus Quick Start Guide (provided with the RX3i Dual Bus Templates) for more information.

RX3i Dual Bus Genius is provided by a set of program blocks that coordinate the operation of I/O on Dual Genius Buses to provide cable redundancy.

Templates (PAC Machine Edition folders) are available on the Support Website as a starting point to implement applications using RX3i Dual Bus Genius.

Note: The current offering supports only VersaMax Genius Network Interface Units (GNIUs).

A 1.1 Features

- Simplex and redundant controller support
- Support for 2 dual Genius buses
- Up to 29 remote I/O devices per dual Genius bus
- Up to 7500 discrete inputs and 7500 discrete outputs
- Up to 3200 analog inputs and 3200 analog outputs
- Templates to facilitate system configuration
- Support for VersaMax Genius Network Interface Units (GNIU)

A 1.2 Templates

Template names are of the form: GENIUS_1DB_3iSC_10SBA

- 1DB – indicates one dual bus. Choices are 1, 2
- 3iSC – indicates RX3i Simplex Controller. Choices are Simplex (SC), Redundant (RC)
- 10SBA – indicates 10 remote I/O devices. Choices are 2, 10, 20

Note: All SBAs in the templates are VersaMax GNIUs.

The templates support up to 7500 discrete inputs and up to 3200 analog inputs.

The quantity of discrete outputs and analog outputs is determined by the amount of %Q and %AQ the remote I/O can accommodate.

The templates come with a target for the controller(s) and a target for each remote I/O device

The GBCs in the RX3i are preconfigured with the number of GNIUs in the template. Default addressing for Inputs and Outputs is preconfigured. Templates with 10 GNIUs have all the GNIUs on a single Dual Genius Bus. Templates with 20 GNIUS have 2 Dual Genius Buses and 10 GNIUs are on each dual bus. The default I/O addressing used in the templates is in the following table.

Table 23: Default addressing for Inputs and Outputs

First Dual Bus SBA #	%I	%Q	%AI	%AQ
1	1-200	1-200	1-50	1-50
2	201-400	201-400	51-100	51-100
3	401-600	401-600	101-150	101-150
4	601-800	601-800	151-200	151-200
5	801-1000	801-1000	201-250	201-250
6	1001-1200	1001-1200	251-300	251-300
7	1201-1400	1201-1400	301-350	301-350
8	1401-1600	1401-1600	351-400	351-400
9	1601-1800	1601-1800	401-450	401-450
10	1801-2000	1801-2000	451-500	451-500
Second Dual Bus SBA #	%I	%Q	%AI	%AQ
1	2001-2200	2001-2200	501-550	501-550
2	2201-2400	2201-2400	551-600	551-600
3	2401-2600	2401-2600	601-650	601-650
4	2601-2800	2601-2800	651-700	651-700
5	2801-3000	2801-3000	701-750	701-750
6	3001-3200	3001-3200	751-800	751-800
7	3201-3400	3201-3400	801-850	801-850
8	3401-3600	3401-3600	851-900	851-900
9	3601-3800	3601-3800	901-950	901-950
10	3801-4000	3801-4000	951-1000	951-1000

The default addresses for I/O are provided for convenience. All four addresses and the lengths can be changed in the configuration for the remote I/O. The only rules are:

- Each reference address type for a given remote I/O device must use contiguous addressing.
- Addresses must be in the range of 1–7500 for %I and 1–3200 for %AI
- Discrete address, %I and %Q, must start on byte boundaries
- %I and %Q lengths must be a multiple of 8
- The address for a remote I/O device should not conflict with other remote I/O devices.

Note: The same output addresses can be used in multiple remote I/O devices if the application so requires.

A 1.3 Available Templates

GENIUS_1DB_3iRC_2SBA	This template is intended for demo use. It is a fully functional Redundant Controller, 2 Remote I/O Devices, 1 Dual Genius Bus template
GENIUS_1DB_3iSC_10SBA	Simplex Controller, 10 Remote I/O Devices, 1 Dual Genius Bus
GENIUS_2DB_3iSC_20SBA	Simplex Controller, 20 Remote I/O Devices, 2 Dual Genius Buses
GENIUS_1DB_3iRC_10SBA	Redundant Controller, 10 Remote I/O Devices, 1 Dual Genius Bus
GENIUS_2DB_3iRC_20SBA	Redundant Controller, 20 Remote I/O Devices, 2 Dual Genius Buses

A 1.4 How to Choose a Template

Steps to choose a template:

1. Decide between a simplex controller and a redundant controller.
2. Determine the number of Genius remote I/O devices in your system. Choose a template that supports the number of remote devices or greater.
3. Determine how many Dual Genius Buses are in your system.

Appendix B RX3i Dual Bus Genius Functionality

Dual Bus Genius provides cable redundancy from the controller(s) to the remote I/O devices. This is achieved by two GBCs in the Controller (or two in each Controller for Redundant Controllers). Each GBC has an associated cable network that connects to all the remote I/O devices. The remote I/O devices are connected to both cable networks through a single interface that decides which cable network to communicate on. The remote I/O devices automatically switch from one cable network to the other if communication is lost on the first cable network. Additionally, the Controller can be programmed to command the remote I/O devices to switch to the other cable network. The Controller has status bits for each remote I/O device indicating if a remote I/O device is on one or the other cable network.

Inputs and Outputs can be configured to Hold Last State or go to zero if communication is lost.

In the event of a remote I/O device switching from one cable network to the other, the Inputs and Outputs will Hold Last State while the switch over occurs. After a selectable timeout of 2.5 or 10 seconds the inputs and outputs will go to Hold Last State or Zero if communication is not re-established.

Point Faults – When point fault references are enabled in the controller's hardware configuration, the RX3i Dual Bus Genius templates support a subset of the functionality that is available with PACSystems controller rack I/O. If communication is lost to a remote I/O device, the Point Faults for all Inputs configured for that remote I/O device will be set. The functionality of setting a Point Fault for a specific Input Point, such as an Analog Input if it has an alarm, is not supported.

Automatic Role Switch (for Redundant Controllers only) – The RX3i Dual Bus Genius templates can be set up to request a role switch when the Active controller cannot communicate with all the remote I/O devices AND the Backup controller can communicate with all the remote I/O devices. The role switch will make the Backup controller the Active controller. If this behavior is desired, this option must be explicitly enabled in the template's logic.

Appendix C Switching Control to the Backup Unit When it has Better PROFINET Connectivity than the Active Unit

C 1.1 Overview

Users may want their Hot Standby CPU Redundancy with PROFINET applications to detect the condition where the Backup unit has better connectivity to the I/O devices than the Active unit and switch control to the Backup unit when this condition occurs. A difference in connectivity can occur when more than one link or node in a ring topology fails or when a single link or node in a star topology fails. When the Backup unit has better connectivity than the Active unit, switching control to the Backup unit allows the application to control that better set of I/O devices. The criteria for deciding which unit has “better” connectivity are application-specific and therefore must be defined by the application developer.

This appendix provides two logic block examples that:

1. Compare the number of redundantly-controlled devices connected to each unit, and
2. Initiate a role switch when the Backup unit has more devices connected than the Active unit.

In these examples, logic in each unit calculates the number of devices it is connected to by invoking the PNIO_Dev_Comm block for each one of its devices. The Active unit transfers its count to the Backup unit. With the count from both units, logic in the Backup unit determines whether it has more devices connected than the Active unit. If so, logic in the Backup unit requests a role switch. A Ladder Logic example and a Structured Text example are provided.

C 1.2 Application Examples

Important information regarding these examples:

- The ActiveUnitNumDevicesConnected variable must be included in either the Input or the Output Transfer List.
- These examples assume only one PROFINET I/O Controller module is used in each controller. If you have more than one PROFINET I/O Controller in each unit, you will need to extend the algorithm to account for the additional PNCs.
- These examples use an array of device Reference Variables. The array is named IODeviceRef[]. Each element of this array is a device reference variable that is assigned to a unique PROFINET I/O device. Here is one way to create and assign elements of this array:
 - In the Navigator window, select the first I/O device listed in the hardware configuration of the Primary CPU.
 - In the Inspector window, click on the drop down menu for to the Reference Variable parameter and select <Create>. PME will create a new device reference variable and give it a name.
 - In the Navigator window, select the Variables Table and locate the variable that PME created in the previous step.
 - Change the variable's name if desired.
 - In the Inspector window, change the Array Dimension 1 property of this variable to be the number of redundantly-controlled devices controlled by this PNC.
 - For each redundantly-controlled device, set the Reference Variable parameter to a unique element of the array you created in the previous step. The array indices range from 0 to the total number of elements minus 1.
- Each controller independently connects to each device when devices power-up, network links are restored, controllers power-up, and configuration is downloaded. You may want your logic to give the Active unit some time to complete these connections before requesting the role switch. These examples use a NetworkSettleTime timer to do that. If you use the NetworkSettleTime timer, select a time that is appropriate for the size and topology of your network.
- The controllers will not switch roles until it has been at least 10 seconds since the previous role switch.

Figure 45: Structured Text Example

```
//Initialize variables before calculating the number of
devices connected.
NumDevicesConnected := 0; BackupHasMoreDevices := 0;
//Loop through all devices on this controller and check for
connection using PNIO_DEV_COMM.
for DeviceIndex := 0 to (ARRAY_SIZE(In := IODeviceRef) - 1) By
1 do
PNIO_DEV_COMM(IOController := PNIOControllerRef, IODevice :=
IODeviceRef[DeviceIndex], OK => OK, Primary => PRI);
if OK then
NumDevicesConnected := NumDevicesConnected + 1;
end_if;
end_for;
(*If this code is running on the Active unit, move the number
of devices connected to a
variable that is transferred to the Backup unit in the Output
Transfer List.*)
if (#LOC_ACT) then
ActiveUnitNumDevicesConnected := NumDevicesConnected;
end_if;
//On the Backup unit, check to see if more devices are
connected than on the Active unit.
if (#REM_ACT and NumDevicesConnected >
ActiveUnitNumDevicesConnected) then
BackupHasMoreDevices := 1;
end_if;
(*If more devices are connected to the Backup unit than the
Active unit, start a Time On Delay(TON)
timer to wait a specified time(NetworkSettleTime)before
requesting a manual roleswitch. The
NetworkSettleTime(in milliseconds)should be configured by the
user to allow enough time for
device connections to settle out after a network event has
occurred.*)
NetworkSettleTON(IN := BackupHasMoreDevices, PT :=
NetworkSettleTime, ET => ElapsedTime);
(*If the Backup unit has more devices connected than the
Active unit for the given NetworkSettleTime,
then perform a manual role switch.*)
if (NetworkSettleTON.Q) then
SVC_REQ(FNC := 26, PRM := RoleSwitchParam);
end_if;
```

Figure 46: Ladder Logic Example Part 1

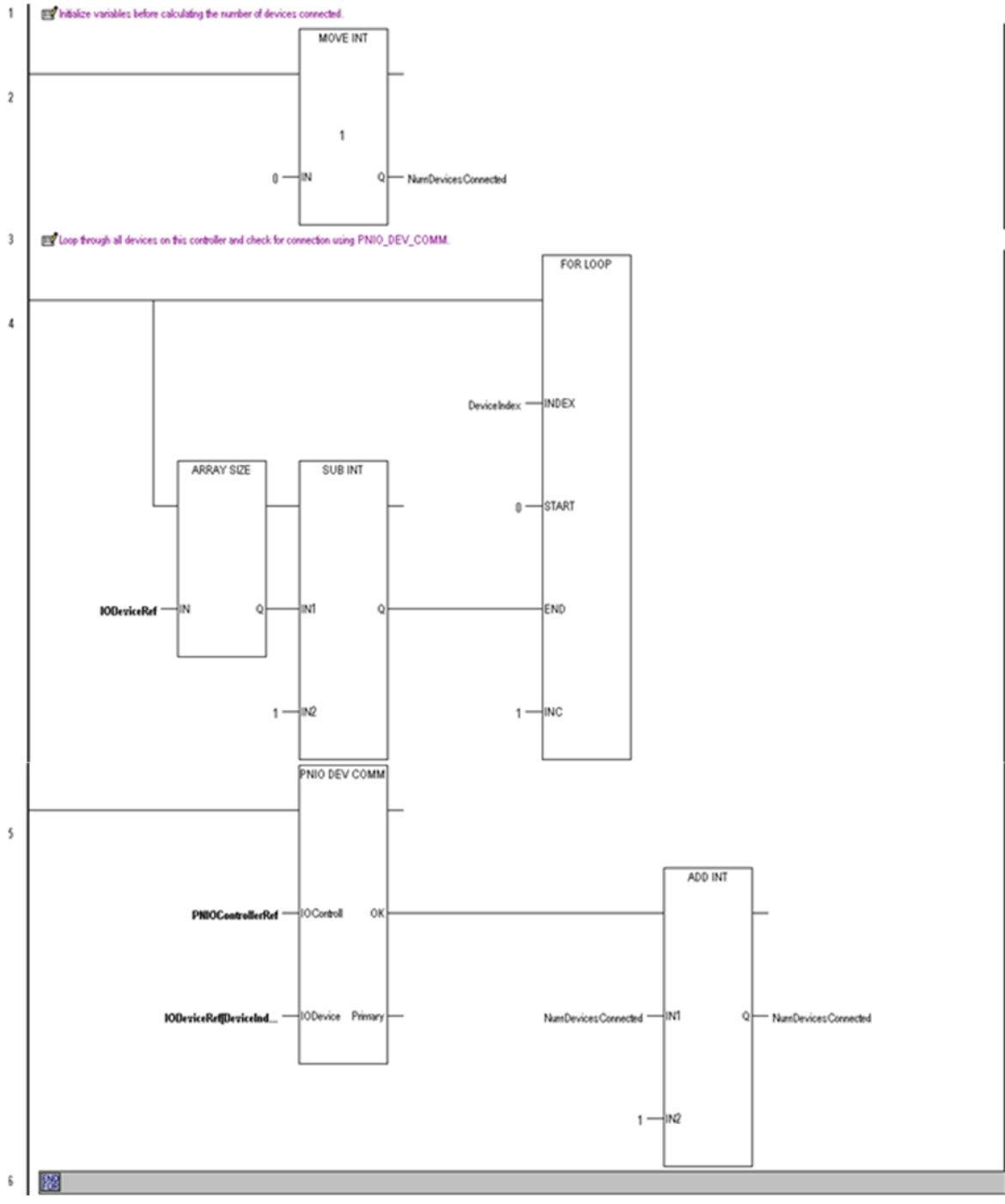
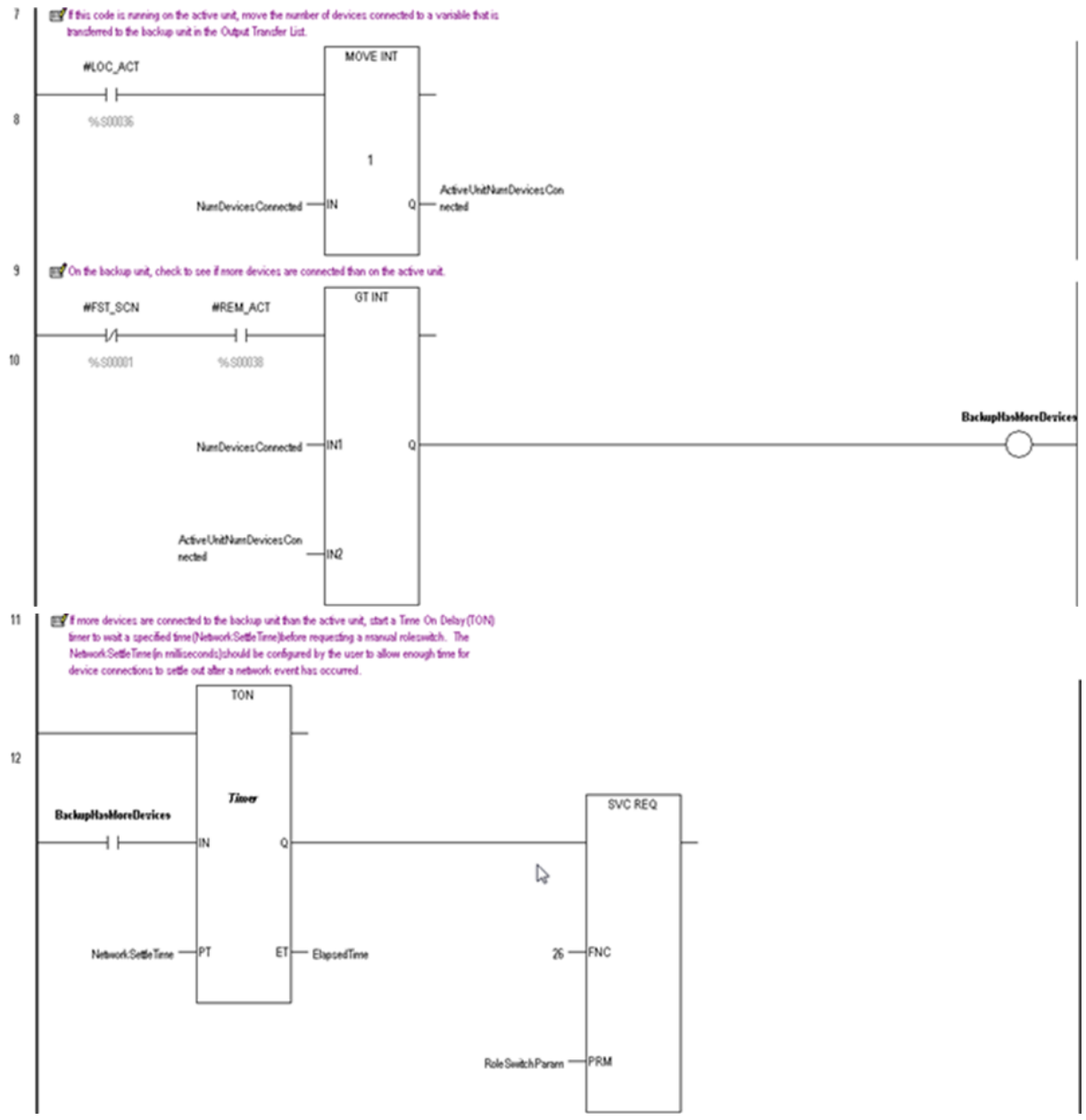


Figure 47: Ladder Logic Example Part 2



Appendix D Redundant I/O Wiring Details And Programming Strategies

D 1.1 Introduction

A requirement for some high availability systems is redundant inputs and outputs (I/O). Redundant I/O is implemented by installing two I/O modules of the required type, then wiring the input device(s) to the redundant I/O modules. Appropriate programming may be required to handle the redundant I/O and provide notification of discrepancies.

Emerson provides solutions for redundant controllers, but redundant I/O is not generally provided as standard (an exception to this is Genius Modular Redundancy (GMR), but this is now discontinued).

This document describes how redundant I/O may be implemented, including wiring details and programming strategies.

These wiring details and programming strategies are based around systems that operate in a duplex mode, where two devices operate simultaneously. Similar techniques may be used in a hot-standby redundancy system where two devices operate with one device in charge (the master) and the other is on standby in the event of a failure of the master.

D 1.2 Redundant I/O Wiring Details

Redundant I/O is implemented by installing at least two I/O modules of the required type, then wiring the input device(s) to the redundant I/O modules. The following sections provide wiring details for redundant I/O.

These wiring details are based around systems that operate in a duplex mode, where two devices operate simultaneously. Similar techniques may be used in a hot-standby redundancy system where two devices operate with one device in charge (the master) and the other is on standby in the event of a failure of the master.

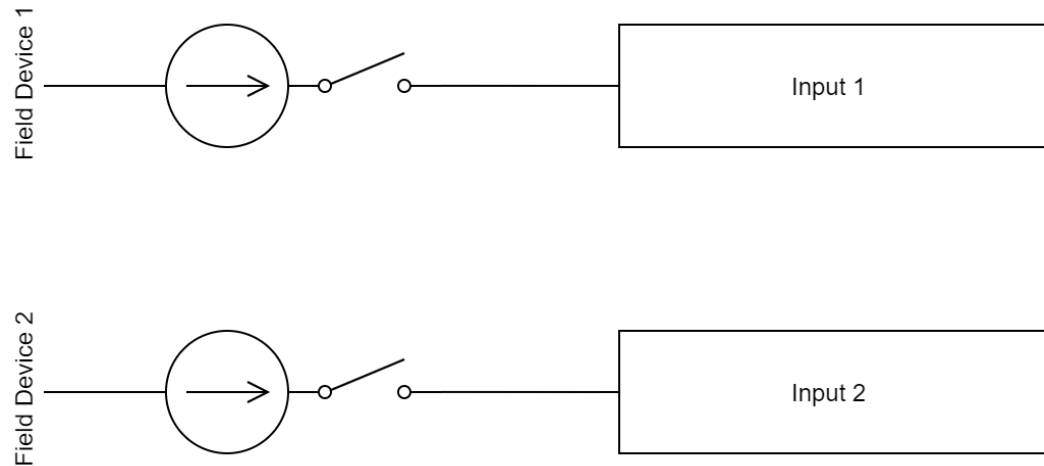
To prevent a single module failure from causing a loss of the I/O device, the use of two separate I/O modules is recommended. These should be on

separate carriers/racks to avoid a common point of failure. Redundant power supplies could also be considered, this may be implemented externally using appropriate power supply wiring.

D 1.3 Dual Redundant Discrete Inputs With Dual Redundant Field Device

Where there are dual redundant field devices, each field device may be wired separately to two inputs as shown in Figure 48.

Figure 48: Dual Redundant Discrete Inputs with Dual Redundant Field Device



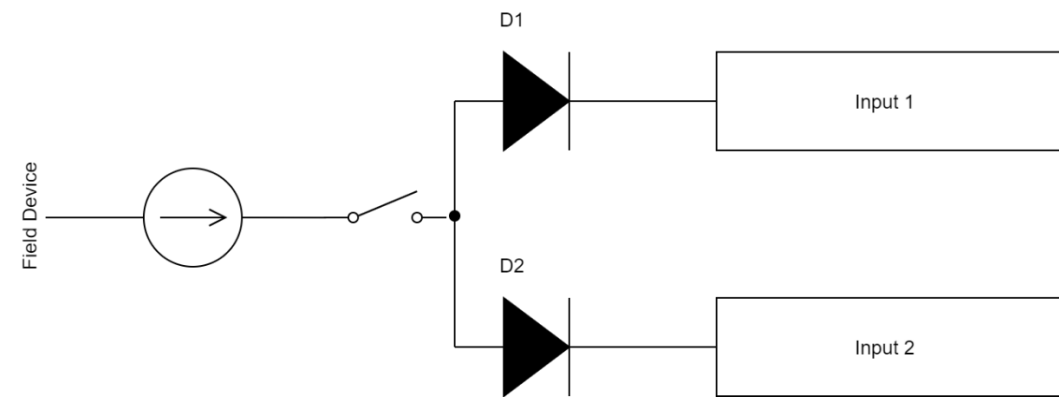
D 1.4 Dual Redundant Discrete Inputs With Single Field Device

Ideally, there will be redundant field devices but in practice there is often a single field device. In this case, the field device may be wired via diodes to two inputs as shown in Figure 49. There is a volt drop across a diode (0.6V for silicon diodes) but this is negligible for most industrial circuits operating at 24Vdc. In general, diodes fail open-circuit so in the event of a failure the corresponding input will no longer operate.

⚠ CAUTION

Diodes are not suitable for AC circuits.

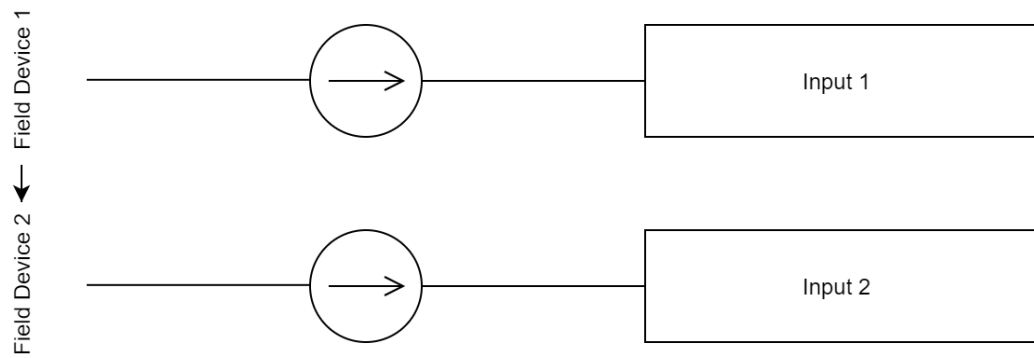
Figure 49: Dual Redundant Discrete Inputs with Single Field Device Wiring



D 1.5 Dual Redundant Analogue Inputs With Dual Redundant Field Device

Where there are dual redundant field devices, each field device may be wired separately to two inputs as shown in Figure 50.

Figure 50: Dual Redundant Analog Inputs with Dual Redundant Field Device Wiring



D 1.6 Dual Redundant Analogue Inputs With Single Field Device

Ideally, there will be redundant field devices but in practice there is often a single field device. In this case, where the field device outputs a voltage the field device may be wired via diodes to two inputs as shown in Figure 50 . There is a volt drop across a diode (0.6V for silicon diodes). Where low voltages are used, this approach may be unsuitable. Where the field device outputs a current the field device may be wired to two inputs in series as shown in . There is a volt drop across a diode (0.6V for silicon diodes). In general, diodes fail open-circuit so in the event of a failure the corresponding input will no longer operate.

Figure 51: Dual Redundant Voltage Analog Input with Single Field Device Wiring

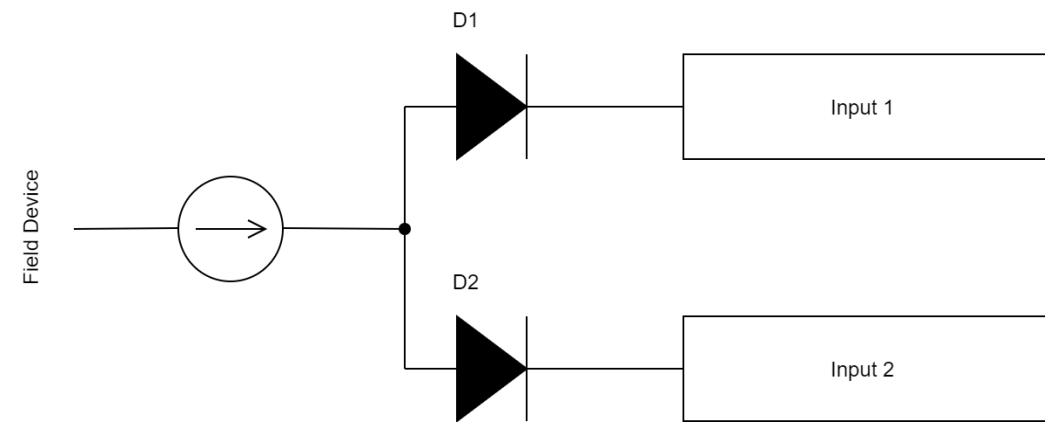
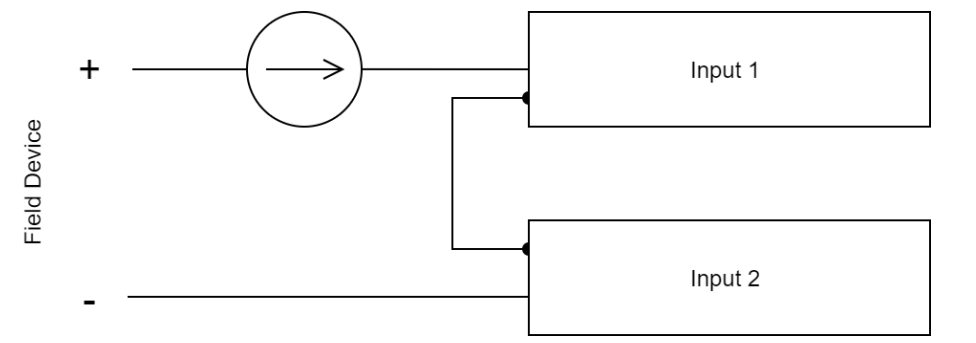


Figure 52: Dual Redundant Current Analog Inputs wit Single Device Wiring



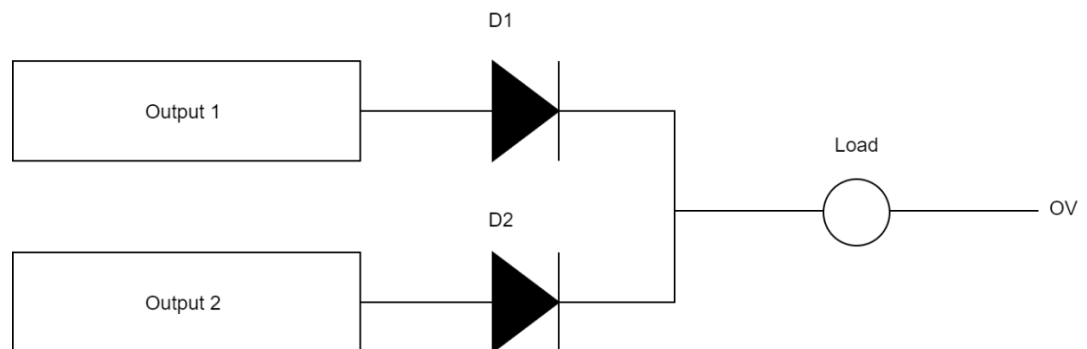
D 1.7 Dual Redundant Discrete Outputs with Single Field Device

Ideally, there will be redundant field devices but in practice there is often a single field device. In this case, the field device may be wired via diodes to two outputs as shown in Figure 53. There is a volt drop across a diode (0.6 V for silicon diodes) but this is negligible for most industrial circuits operating at 24 Vdc. In general, diodes fail open-circuit so in the event of a failure the output device will be driven by the remaining working output. Where it is critical that the output does not operate when there is a failure, input feedback may be used.

⚠ CAUTION

Diodes are not suitable for AC circuits.

Figure 53: Dual Redundant Discrete Outputs with Single Field Device Wiring

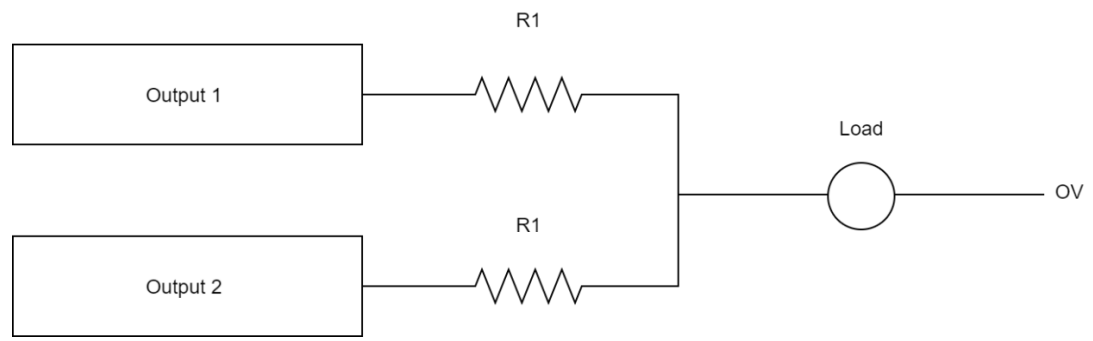


D 1.8 Dual Redundant Analogue Outputs With Single Field Device

In practice, redundant analogue outputs are rarely used.

Ideally, there will be redundant field devices but in practice there is often a single field device. In this case, the field device may be wired via resistors to two outputs as shown in Figure 54. There is a volt drop across each resistor, the effect of this must be calculated based on the load and the resistor value. Where it is critical that the output does not operate when there is a failure, input feedback may be used.

Figure 54: Dual Redundant Voltage Analog Outputs with a Single Field Device Wiring



D 1.9 Dual Redundant Outputs With Single Field Device And Input Feedback

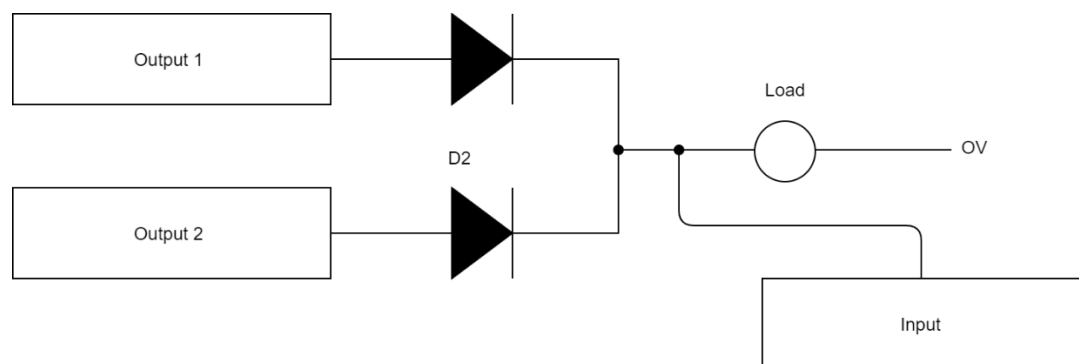
Ideally, there will be redundant field devices but in practice there is often a single field device. In this case, the field device may be wired via diodes to two outputs as shown in Figure 55 . There is a volt drop across a diode (0.6 V for silicon diodes) but this is negligible for most industrial circuits operating at 24 Vdc.

In general, diodes fail open-circuit so in the event of a failure the output device will be driven by the remaining working output. Where it is critical that the output does not operate when there is a failure, input feedback may be used to determine if the output is on even when not commanded to be on. Additional circuitry will be required to take action in the event of this failure mode.

⚠ CAUTION

Diodes are not suitable for AC circuits.

Figure 55: Dual Redundant Outputs with Single Field Device and Input Feedback Wiring



D 1.10 Redundant Power Supply Wiring

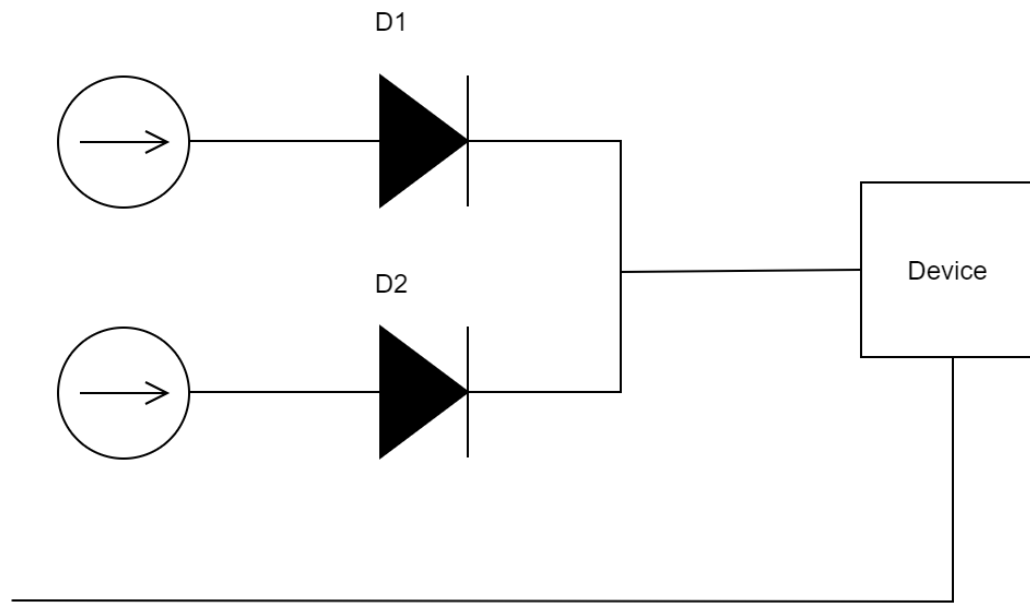
Redundant power supplies may be implemented externally using power supply wiring using diodes as shown in Figure 56. There is a volt drop across a diode (0.6 V for silicon diodes) but this is negligible for most industrial circuits operating at 24 Vdc. This arrangement does not protect against overvoltage; power supplies with overvoltage detection and crowbar protection are recommended.

This arrangement could be combined with input feedback to detect a power supply failure.

⚠ CAUTION

Diodes are not suitable for AC circuits.

Figure 56: Redundant Power Supply Wiring



D 1.11 Alternatives to Diodes

Diodes are highly reliable electronic devices with a long life and predictable failure mode. However, they are not suitable for AC circuits. For AC circuits, or where the volt drop is unacceptable, relays could be used. However, relays are electromagnetic devices with a shorter life and unpredictable failure mode so are not recommended.

D 1.12 Redundant I/O Programming Strategies

Appropriate programming may be required to handle the redundant I/O and provide notification of discrepancies. The following sections provide programming strategies for redundant I/O.

These programming strategies are based around systems that operate in a duplex mode, where two devices operate simultaneously. Similar techniques may be used in a hot-standby redundancy system where two devices operate with one device in charge (the master) and the other is on standby in the event of a failure of the master.

Note that for discrepancy detection, time delays may be required to allow for communications delays and input or output settling time.

These programming strategies may be implemented as user defined function blocks (UDFBs) to allow simple re-use. Emerson does not generally provide such blocks due to the large range of products and potential architectures available, however Emerson may be contracted to write such blocks where appropriate. Please contact your Emerson agent for further information.

D 1.13 Dual Redundant Discrete Inputs

Where there are dual redundant discrete inputs, each input may be ORed to provide an actual input. Additional logic may be implemented to detect discrepancies.

Figure 57: Dual Redundant Discrete Inputs Programming

```
VOTED_INPUT = INPUT1 OR INPUT2  
ERROR = INPUT1 <> INPUT2
```

D 1.14 Dual Redundant Analogue Inputs

Where there are dual redundant analogue inputs, the inputs may be averaged to provide an actual input. Additional logic may be implemented to detect discrepancies.

Figure 58: Dual Redundant Analog Inputs Programming

```
VOTED_INPUT = (INPUT1 + INPUT2) / 2  
ERROR = (((INPUT1 + INPUT2) / 2) - INPUT1) <> DEADBAND) OR  
(((INPUT1 + INPUT2) / 2) - INPUT2) <> DEADBAND)
```

D 1.15 Dual Redundant Outputs

Where there are dual redundant outputs, both outputs may be controlled by the same logic to generate the same result.

D 1.16 Dual Redundant Outputs With Input Feedback

Where there are dual redundant outputs, both outputs may be controlled by the same logic to generate the same result. Additional logic may be implemented to detect discrepancies.

Figure 59: Dual Redundant Outputs with Input Feedback Programming

```
ERROR = (INPUT <> OUTPUT1) OR (INPUT <> OUTPUT2)
```

D 1.17 Glossary

Table 24: Glossary

Term	Description
Discrepancy	Difference between what is expected and what actually occurs or is seen
Duplex	Redundancy system where two devices (or more) operate simultaneously. Requires voting of I/O to handle discrepancies or communications failures
Hot-standby	Redundancy system where two devices (or more) operate, one device is in charge (the master) and the other is on standby in the event of a failure of the master. No voting required since the I/O only needs to communicate with the master.
I/O	Inputs and Outputs
Master	Main device in a hot-standby system
Standby	Backup device in a hot-standby system
UDFB	User Defined Function Block
Voting	Strategy where a “vote” must be taken on which I/O to use where there is a discrepancy or communications failure

General Contact Information

Home link: <http://www.emerson.com/industrial-automation-controls>

Knowledge Base: <https://www.emerson.com/industrial-automation-controls/support>

Technical Support

Americas

Phone: 1-888-565-4155
1-434-214-8532 (If toll free option is unavailable)
Customer Care (Quotes/Orders>Returns): customercare.mas@emerson.com
Technical Support: support.mas@emerson.com

Europe

Phone: +800-4444-8001
+420-225-379-328 (If toll free option is unavailable)
+39-0362-228-5555 (from Italy - if toll-free 800 option is unavailable or dialing from a mobile telephone)

Customer Care (Quotes/Orders>Returns): customercare.emea.mas@emerson.com
Technical Support: support.mas.emea@emerson.com

Asia

Phone: +86-400-842-8599
+65-6955-9413 (All other Countries)

Customer Care (Quotes/Orders>Returns): customercare.cn.mas@emerson.com
Technical Support: support.mas.apac@emerson.com

Any escalation request should be sent to: mas.sfdcescalation@emerson.com

Note: If the product is purchased through an Authorized Channel Partner, please contact the seller directly for any support.

Emerson reserves the right to modify or improve the designs or specifications of the products mentioned in this manual at any time without notice. Emerson does not assume responsibility for the selection, use or maintenance of any product. Responsibility for proper selection, use and maintenance of any Emerson product remains solely with the purchaser.

© 2023 Emerson. All rights reserved.

Emerson Terms and Conditions of Sale are available upon request. The Emerson logo is a trademark and service mark of Emerson Electric Co. All other marks are the property of their respective owners.

