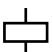


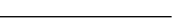





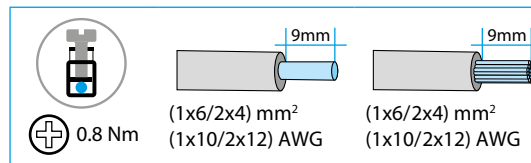
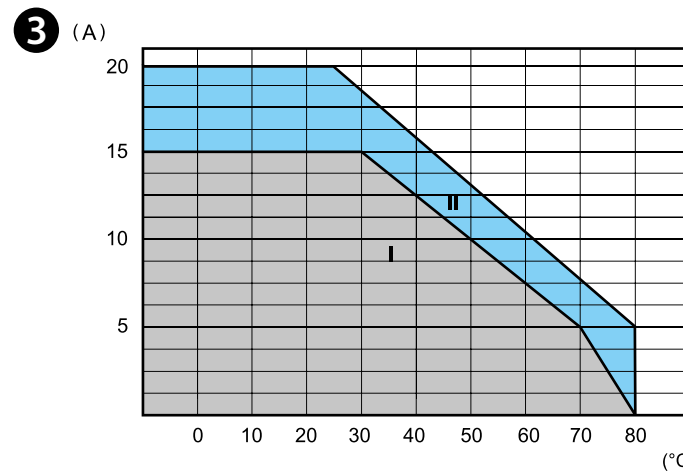
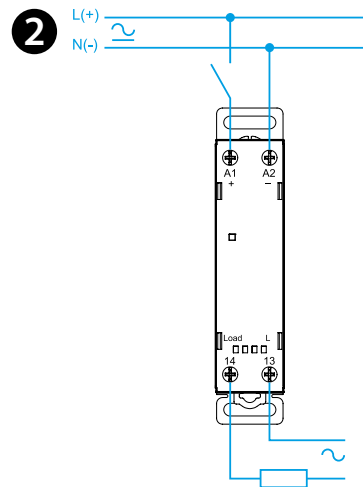
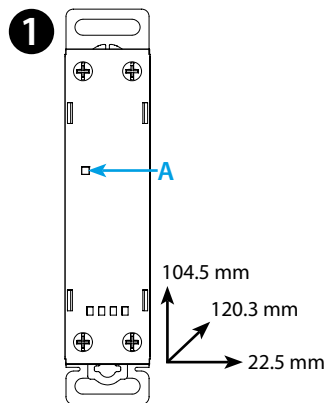
77.11

	77.11.x.xxx.8250	77.11.x.xxx.8251
	U_N 24 V DC $U_{min}-U_{max}$ (4-32)V DC P 0.4 W U_N 230 V AC $U_{min}-U_{max}$ (40-305)V AC P 7.5 VA (50 Hz) / 0.9 W	
	1 NO (SPST-NO) 15 A (19...305)V AC AC7a (cos φ = 0.8, @ 25°C) 20 A AC15 15 A (M) (230 V AC) - (M) (230 V AC) 0.75 kW ⚡ (230 V) 4000 W ⚡ (230 V) 2500 W CFL / LED 3000 W CFL / LED 1500 W ⚡ 4000 W ⚡ 2500 W	
	(-20...+80)°C	
	IP20	

LED	U_N
	OFF
	ON



- For use in Pollution Degree 2 Environment
- Control circuits, for version 230 V AC only, shall be connected, in the end-use Application, to any Din-rail Surge Protective Device R/C (VZCA2/8) rated min. 240 V AC, 50/60 Hz, VPR=1000 V, Type 3
- Use 75°C copper (CU) conductors for power terminals (13, 14) and 60/75°C copper (CU) conductors the control terminals (A1, A2) of the devices.



ENGLISH

77.11 MODULAR SOLID STATE RELAY

1 FRONT VIEW A LED

2 WIRING DIAGRAM

3 OUTPUT SPECIFICATION

Output RMS current vs. ambient temperature

- I Modular SSR installed as a group (without gap)
- II Modular SSR installed individually in free air, or with a gap ≥ 20 mm, which implies a not significant influence from nearby components

OTHER DATA

- AC output (with triac)
- 77.11.x.xxx.8250 Zero-crossing versions
- 77.11.x.xxx.8251 Random versions
- Minimum switching current (@ 250 V): 100 mA
- Power loss (@ 15 A): 14 W
- 35 mm rail (EN 60715) mount