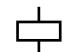
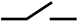

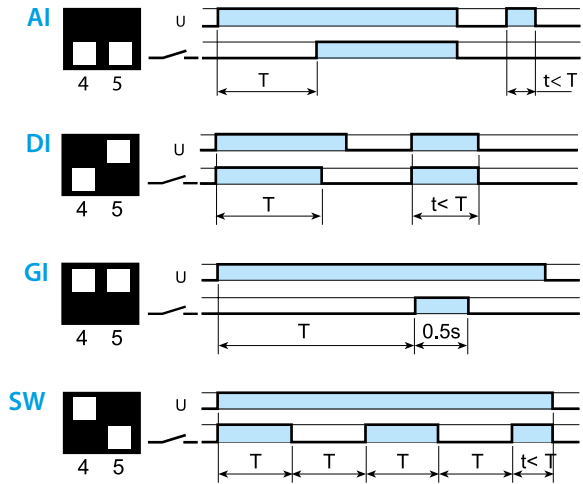
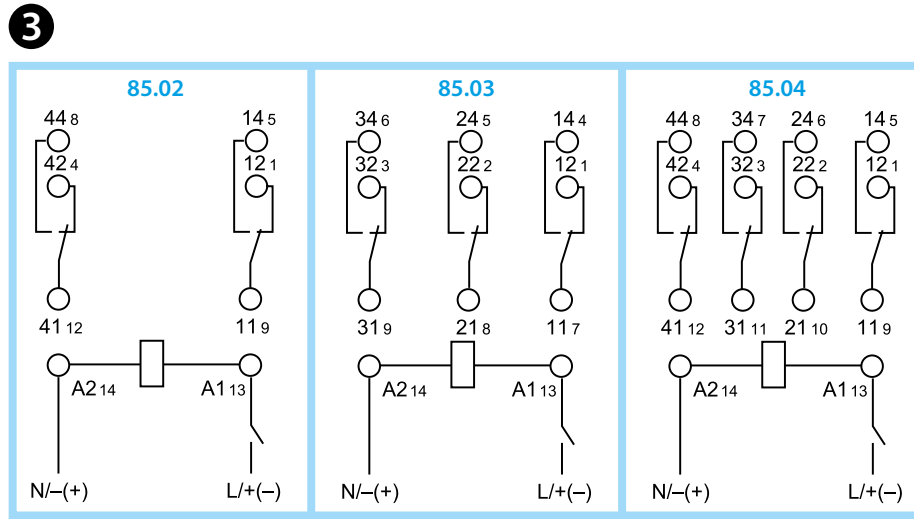
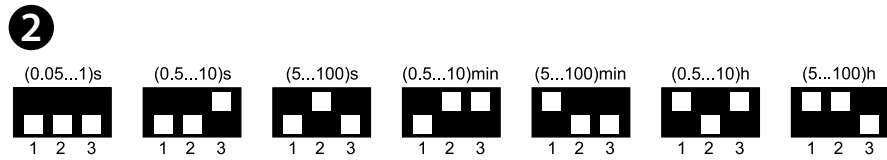
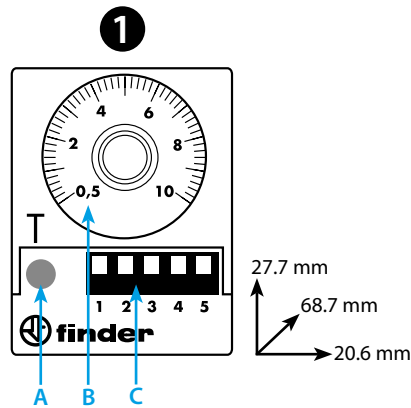




85.02/03/04

	85.0x.x.xxx.0000 0.012 12 V AC/DC 0.024 24 V AC/DC 0.048 48 V AC/DC 0.125 (110...125)V AC/DC 8.240 (230...240)V AC $U_{min}-U_{max}$ (0.85-1.1) U_N
	P 2 VA/2 W
	85.02 - 2 CO (DPDT) - 10 A 250 V AC 85.03 - 3 CO (3PDT) - 10 A 250 V AC 85.04 - 4 CO (4PDT) - 7 A 250 V AC
	AC1 2500 VA 1750 VA (85.04) AC15 (230 V AC) 500 VA 350 VA (85.04) (M) (230 V AC) 0.37 kW 0.125 kW (85.04) DC1 (30/110/220)V (10/0.25/0.12)A (7/0.25/0.12)A (85.04)
	(-20...+60)°C
IP40	



ENGLISH

85.02/03/04 MINIATURE PLUG-IN TIMERS

- 1 FRONT VIEW**
- A LED:**
- slow blinking: supply ON, relay OFF
 - fast blinking: supply ON, timing in progress, relay OFF
 - continuous: supply ON, relay ON
- B Time setting**
- C Dip Switch: time scales and functions**

- 2 TIME SCALES**
- Time scale rotary selector (Tmin...Tmax)

- 3 WIRING DIAGRAM AND FUNCTIONS**
- NOTE** Time scales and functions must be set before energising the timer

- AI** On-delay
DI Interval
GI Pulse delayed
SW Symmetrical flasher (starting pulse on)

OTHER DATA
 Recovery time: ≤ 20 ms.
 Sockets for 94 series mount.

WORKING CONDITIONS
 In conformity with the European Directive on EMC (89/336/EEC), the timer relay has a level of immunity, against radiated and conducted disturbances, considerably higher than requirements of EN 61812-1 standard. However, devices like transformers, motors, contactors, switches and power cables may cause disturbances and even damage the timer electronic circuit. For that reason, the wiring cables must be as short as possible, and, when necessary, the timer shall be protected by the relevant RC network, varistor or surge voltage protector.