

REPORT

62 Series



finder[®]
SWITCH TO THE FUTURE



Power Relays

Type 62.31 and Type 62.32

New magnetic blow-out relays for high current DC loads such as, motors, circuit breakers, electromagnets and electromagnetic valves.

CE



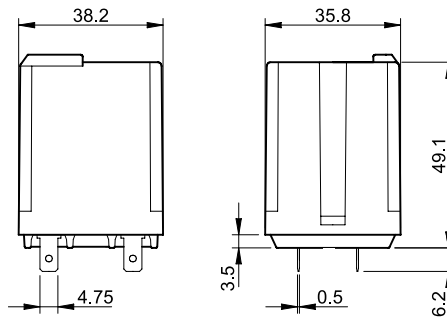
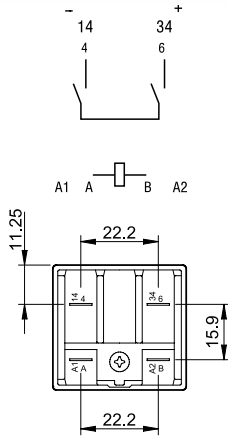
Specification

- 1 & 2 Pole NO contacts 16 A
- DC coils
- Magnetic Blow-out for increased DC breaking capacity
- High insulation between coil and contacts
- Cadmium Free contact material
- Plug-in (92 series sockets) or Faston 187 (4.8x0.5 mm) with optional mounting adaptors



Type 62.31.9.xxx.4800

- 1 pole normally open contact rated 16 A (double break, > 4.2 mm contact gap)
- Breaking capacity DC: - 16 A @ 125 V
- 12 A @ 220 V
- Nominal coil voltage 12, 24, 110, 125, 220 V DC
- Magnetic blow-out
- Coil power 1.3 W
- 6kV Insulation between coil and contacts
- Contacts material AgSnO₂
- Ambient temperature range -40...+70° C



Type 62.32.9.xxx.4800

- 2 pole normally open contacts rated 16 A (≥ 2.1 mm contact gap)
- Breaking capacity DC: - 12 A @ 125 V
- 6 A @ 220 V
- Nominal coil voltage 12, 24, 110, 125, 220 V DC
- Magnetic blow-out
- Coil power 1.3 W
- 6kV Insulation between coil and contacts
- Contacts material AgSnO₂
- Ambient temperature range -40...+70° C

