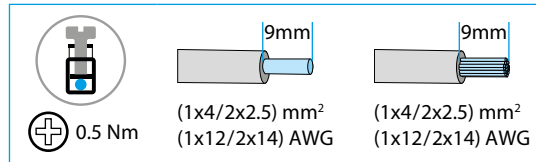




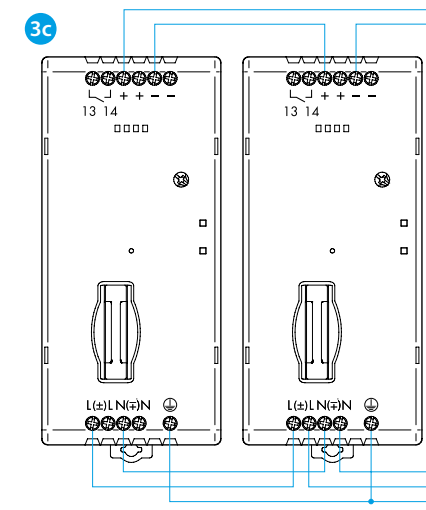
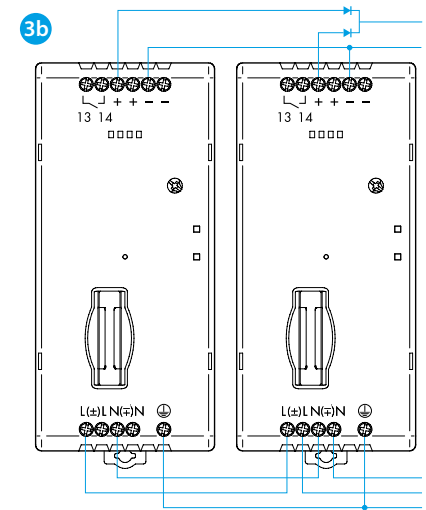
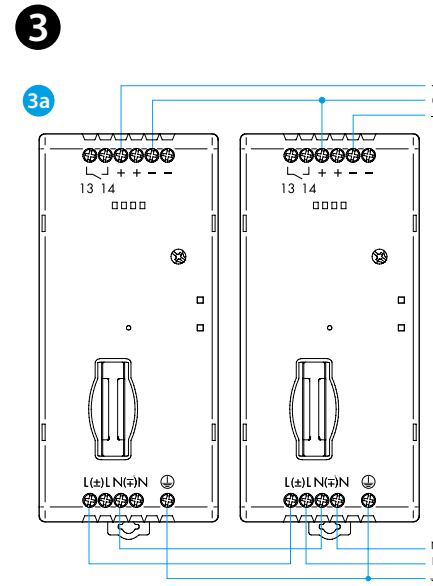
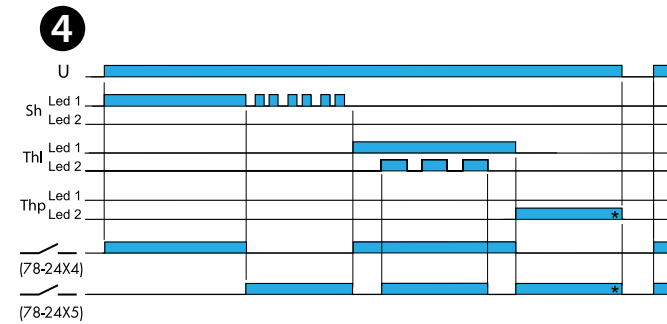
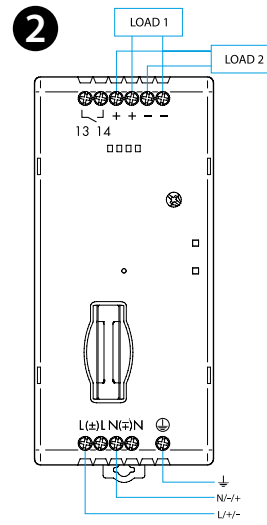
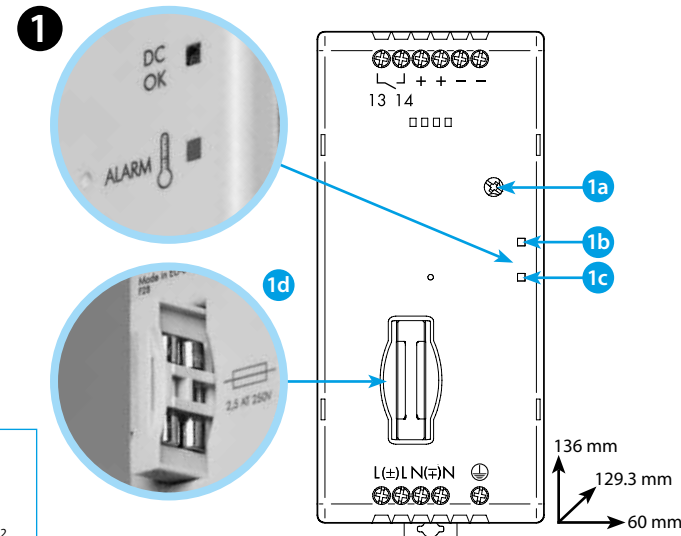
**78.2E**

<b>IN</b>	<b>78.2E.1.230.241x</b> $U_N$ (110...240)V AC (50/60 Hz)/DC $U_{min} - U_{max}$ 88 – 265 V AC (50/60 Hz) $U_{min} - U_{max}$ 90 – 275 V DC $P < 2.8$ W (@ 88 V)
<b>OUT</b>	- [IN 230 V AC, (-20...+40)°C] 10.8 A (max 25 A – 5 ms) 24 V DC, 250 W - [IN (88...275)V, 50°C] $I_N$ 10 A, 24 V DC, 240 W
	(-20...+70)°C
IP20	



**Installation Environmental Conditions**

- Open Type Equipment - Pollution Degree-2 Installation Environment
- Maximum Surrounding Air Temperature 40°C
- Use 60°C / 75°C copper (CU) conductor and wire ranges No. 14-18 AWG, stranded or solid
- The terminal tightening torque of 0.5 Nm



**ENGLISH**

**78.2E SWITCH MODE POWER SUPPLIE**

**1 DIMENSIONS / FRONT VIEW**

- 1a** Nominal output voltage 24 V DC adjustable between 24 and 28 V
- 1b** Green LED: Indication of output status
- 1c** Red LED: Thermal protection with warning and alarm
- 1d** Fuse protection of input supply (plus spare)

**2 CONNECTIONS**

**3 WIRING DIAGRAM EXAMPLES**

- 3a** Dual connection - for a Bipolar supply
- 3b** Parallel connection ( $I \leq 2 \times I_N$ )
- 3c** Series connection - for increased output voltage

**4 LED INDICATION AND FUNCTION**

- U AC/DC Supply
- Sh Short circuit
- Thl Thermal limit
- Thp Thermal protection \*(to reset, remove the supply)
- Led1 **(1b)** LED Green
- Led2 **(1c)** LED Red

**NOTE**

- Efficiency: 93% @ 230 V AC
- Automatic short circuit protection
- Thermal protection with warning and alarm, via LED and auxiliary contact
- Two-stage power conversion with active PFC (Power Factor Correction)
- Fuse: 3.15A-T
- **78.2E.1.230.2414:** Positive safety logic contact. Make output contact opens if the relay detects an error. This version is suitable, for example, for signalling to a remote PLC all those alarms representing a service interruption of the power supply output
- **78.2E.1.230.2415** Pre-alarm contact. The NO contact (13-14) closes when an anomaly happens (short circuit, thermal limit, thermal protection)
- **The product can be used without particular wiring requirements, but, to ensure compliance with EN 61204-3: 2019, the length of the connection cables between the output terminals and the load must not exceed 30 m**