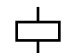




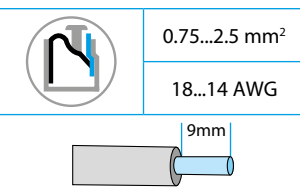
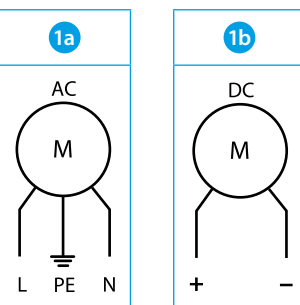


7F.20-3100
7F.30-3100

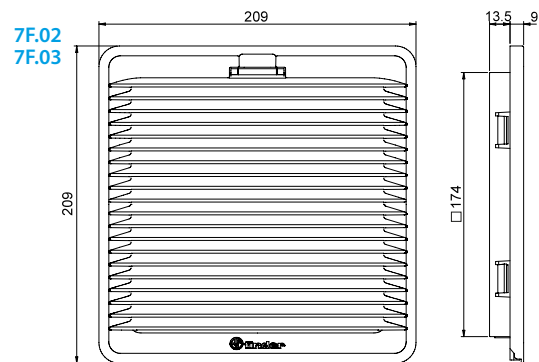
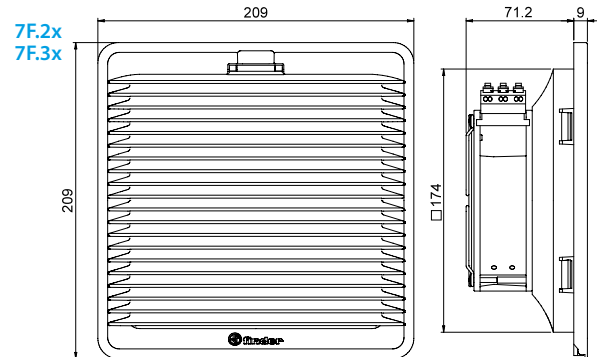
7F.02
7F.03

	7F.2x.x.xxx.3100 7F.2x.x.xxx.3100.0 7F.3x.x.xxx.3100	
	U _N 110...120 V AC (50/60 Hz) (8.120) U _N 230...240 V AC (50/60 Hz) (8.230) U _N 24 V DC (9.024)	
	P _N 120 V AC (50/60 Hz) 30/25 W P _N 230 V AC (50/60 Hz) 29/25 W P _N 24 V DC 7 W	
OUT	m ³ /h (50/60Hz)	100/115
	m ³ /h (50/60Hz)	75/85.5
	dB (A)	42 (AC) 46 (DC)
	(-15...+55)°C	
IP54		
 For Use on a Flat Surface of a Type 1, 12 Enclosure Use copper conductor only, 90°C min Conductor size 14-18 AWG Surrounding air temperature 55°C		

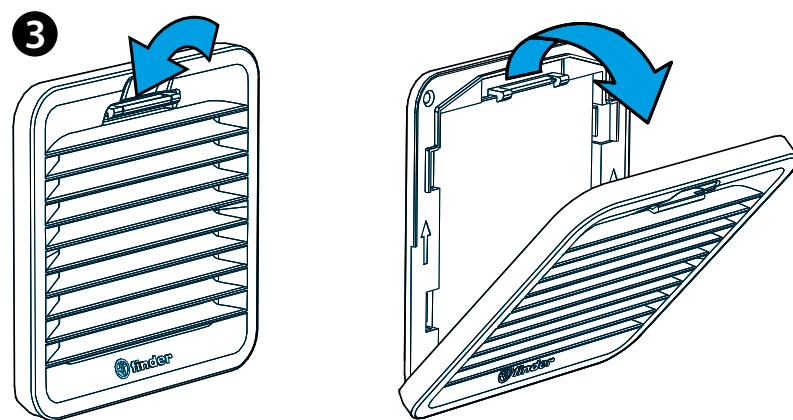
1



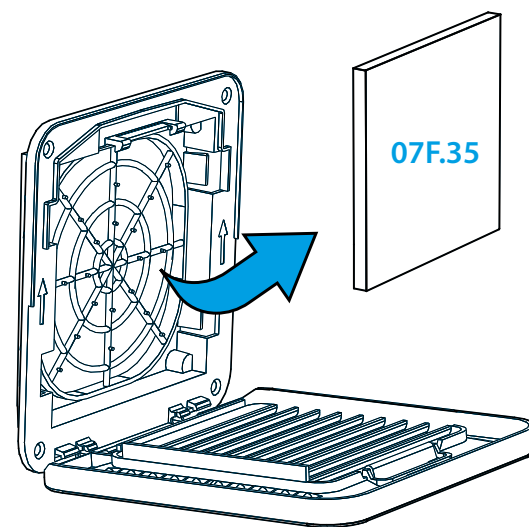
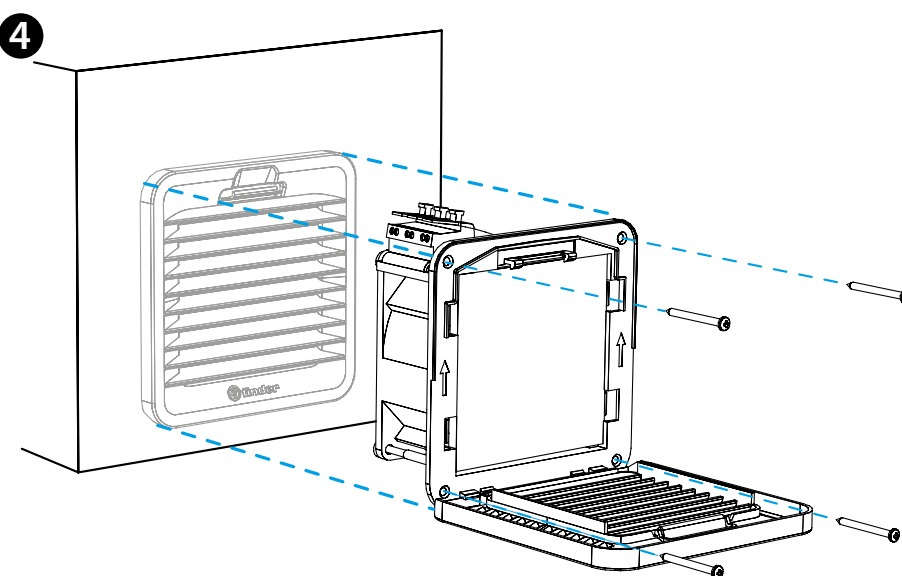
2



3



4



ENGLISH

FOR INDOOR USE:

7F.20 FILTER FAN

7F.21 FILTER FAN WITH REVERSE FLOW FILTER

FOR OUTDOOR USE:

7F.30 FILTER FAN

7F.31 FILTER FAN WITH REVERSE FLOW FILTER

1

1a WIRING DIAGRAM AC

1b WIRING DIAGRAM DC

2

OUTLINE DRAWING (mm)

7F.2x/3x Fan

7F.02/03 Grid

3

GRID OPENING - FILTER REPLACEMENT

Filter mat 07F.35.

Filter mat class

EU3 according to DIN 24185, filtering degree (80...90)%.

Filter material

Synthetic fibre with progressive construction, temperature resistant to 100°C, self extinguishing, Class F1 (DIN 53438).

4

MOUNTING (example)

The installation with the only clips is optimized for 1.5 mm thick sheets; it is also possible with thicknesses from 1 to 2.5 mm.

Fixing with screws (supplied) is recommended.

Tightening torque 0.3 Nm.

NOTE

For indoor use

7F.2x.x.xxx.3100 Fan Grey Color RAL 7035

7F.2x.x.xxx.3100.0 Fan Black Color RAL 9004

7F.02.0.000.3000 Grid Grey Color RAL 7035

7F.02.0.000.3000.0 Grid Black Color RAL 9004

For outdoor use

7F.3x.x.xxx.3100 Fan Grey Color RAL 7000

7F.03.0.000.3000 Grid Grey Color RAL 7000