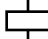


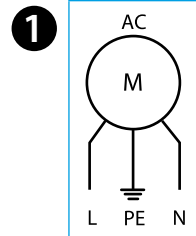

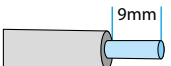


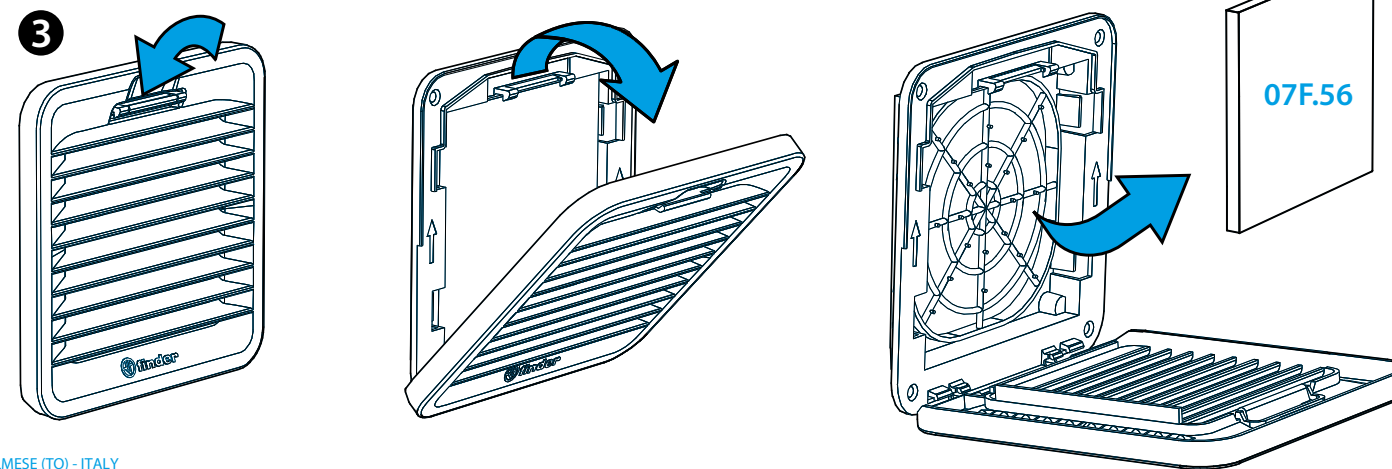
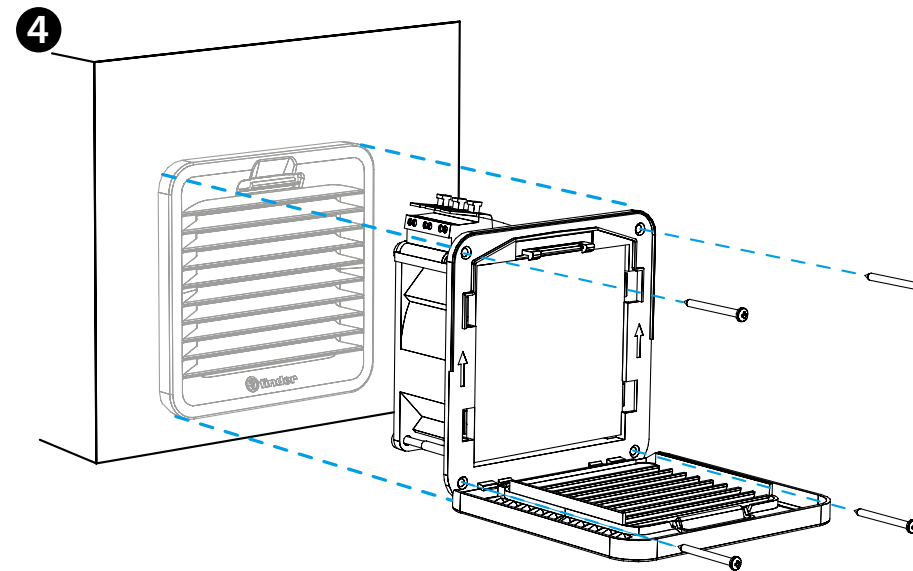
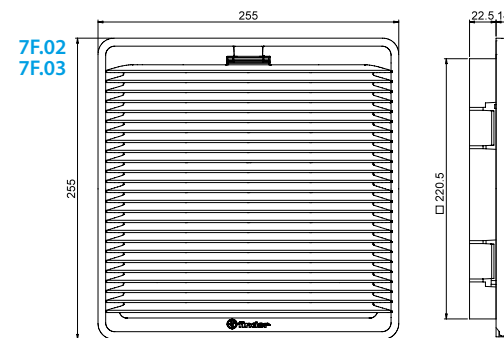
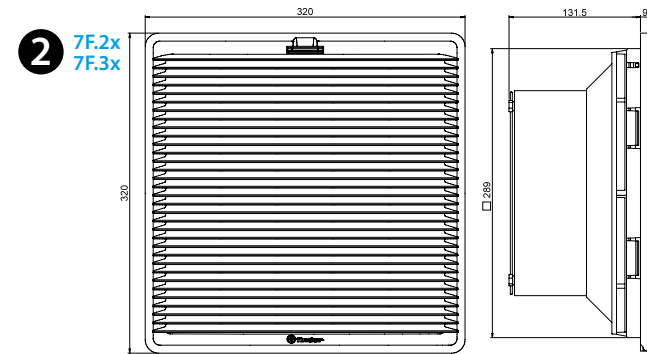
7F.20-5550
7F.30-5550

7F.02
7F.03

	7F.2x.x.xxx.5550 7F.2x.x.xxx.5550.0 7F.3x.x.xxx.5550	
	U _N 110...120 V AC (50/60 Hz) (8.120) U _N 230...240 V AC (50/60 Hz) (8.230)	
	P _N 120 V AC (50/60 Hz) 75/102 W P _N 230 V AC (50/60 Hz) 76/116 W	
OUT	m ³ /h (50/60Hz)	550/605
	m ³ /h (50/60Hz)	400/440
	dB (A)	75 (AC)
	(-15...+55)°C	
IP54 / Type 12		
 For Use on a Flat Surface of a Type 1, 12 Enclosure Use copper conductor only, 90°C min Conductor size 14-18 AWG Surrounding air temperature 55°C		



	0.75...2.5 mm ²
	18...14 AWG
	



ENGLISH

FOR INDOOR USE:
7F.20 FILTER FAN
7F.21 FILTER FAN WITH REVERSE FLOW FILTER

FOR OUTDOOR USE:
7F.30 FILTER FAN
7F.31 FILTER FAN WITH REVERSE FLOW FILTER

1 WIRING DIAGRAM AC

2 OUTLINE DRAWING (mm)
7F.2x/3x Fan
7F.02/03 Grid

3 GRID OPENING - FILTER REPLACEMENT

Spare filters: Fan 07F.56
Exhaust 07F.55

Filter mat class
EU3 according to DIN 24185, filtering degree (80...90)%.

Filter material
Synthetic fibre with progressive construction, temperature resistant to 100°C, self extinguishing, Class F1 (DIN 53438).

4 MOUNTING (example)

The installation with the only clips is optimized for 1.5 mm thick sheets. It is also possible with thicknesses from 2.5 mm. Fixing with screws (supplied) is recommended. Tightening torque 0.3 Nm.

NOTE

For indoor use			
7F.2x.x.xxx.5550	Fan	Grey Color	RAL 7035
7F.2x.x.xxx.5550.0	Fan	Black Color	RAL 9004
7F.02.0.000.5000	Grid	Grey Color	RAL 7035
7F.02.0.000.5000.0	Grid	Black Color	RAL 9004

For outdoor use			
7F.3x.x.xxx.5550	Fan	Grey Color	RAL 7000
7F.03.0.000.5000	Grid	Grey Color	RAL 7000