

Wireless Angle Sensor

WC30i-AXIS

FREEWAVE

Rugged, Simple, Flexible, Value



KEY FEATURES

3-axis accelerometer constantly monitors angle with its internal sensor and reports status when changes occur.

Built-in 900MHz radio and antenna.

Operates as a standard wireless Endpoint in the WAVECONTACT network.

Rugged design for demanding outdoor environments.

Magnetic mounting for fast installation and setup or with built-in installation holes.

Push button zeroing.

Modbus or digital output alarming at the Gateway is available.

Long battery life (greater than 5 years).

Simple installation.

Up to 0.80 km (½ mile) range.

Hazardous Location Certified - Class 1 Div 1 certification pending.



OVERVIEW

FreeWave's new WC30i-AXIS Wireless Angle Sensor is a wireless, solid-state inclinometer that measures an angle from horizontal with two modes: Hatch Detection and Pump Jack Detection.

- The Hatch Detection mode enables monitoring of the opening condition (closed, cracked open, opened) of a hatch for environmental and safety concerns.
- The Pump Jack Detection mode detects and reports if it is operating or moving.

The WC30i-AXIS can also be applied to a variety of other applications where there's a need to detect an angle from horizontal.

TECHNICAL SPECIFICATIONS

TRANSMITTER

Frequency	902-928 MHz, FHSS, License-free ISM Band compliant with FCC Part 15
Range	Up to 0.80 km (0.5 miles)
Over-the-Air Rate	10 kbps
Data Encryption	AES 128-bit encryption

RECEIVER

Sensitivity	-109 dB
--------------------	---------

INTERFACES

Data Interface	Wireless, available as Modbus registers at Gateway or Digital Output
Reporting	Reports every 10 minutes or immediately after a state change

POWER REQUIREMENTS

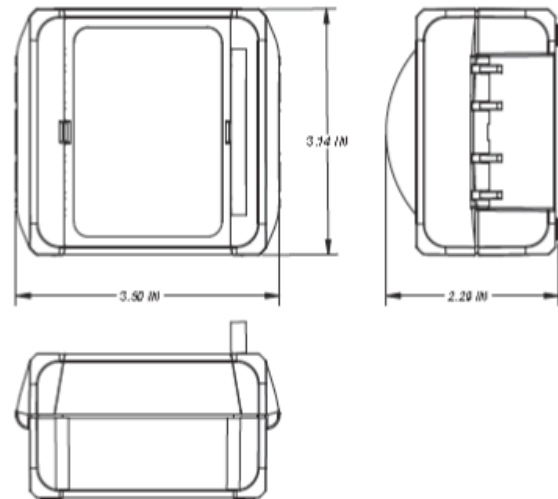
Battery	Internal 3xAAA battery pack, Field replaceable C1D1 Certified
Battery Life	Greater than 5 years
Radio Power	40 mW

INFORMATION TO ORDER

Model Number	Description
WC30i-AXIS	Wireless Angle Sensor

GENERAL INFORMATION

Operating Temperature	-40°C to +80°C -40°F to +176°F C1D1 -40°C to +60°C C1D1 -40°F to +140°F
Humidity	NEMA 4X Enclosure
Dimensions	89 L x 89 W x 58.4 H (mm) 3.5 L x 3.5 W x 2.3 H (in.)
Internal Diagnostics	Battery voltage, signal strength, error conditions
Certification	Hazardous Location Certified, Class 1 Division 1, IS pending, Temp Code T3, Groups C&D. Conforms to UL Std 913, Certified to Can/CSA Std C22.2 No. 157



SOLUTIONS



CONTACT US

5395 Pearl Parkway, Boulder, CO 80301
 TF: 866-923-6168 T: (303) 381-9200
 For more information, visit www.freewave.com