

### 1 DESCRIPTION

The Horner APG External Power Supply Adapter allows external power supplies to be used to power the Series 90-30 PLC. The Adapter is configured for use with a power supply that supplies 5 VDC and 24 VDC. A Power Supply OK (PSOK) signal is required from the external power supply to allow proper shutdown of modules in the rack before power loss.

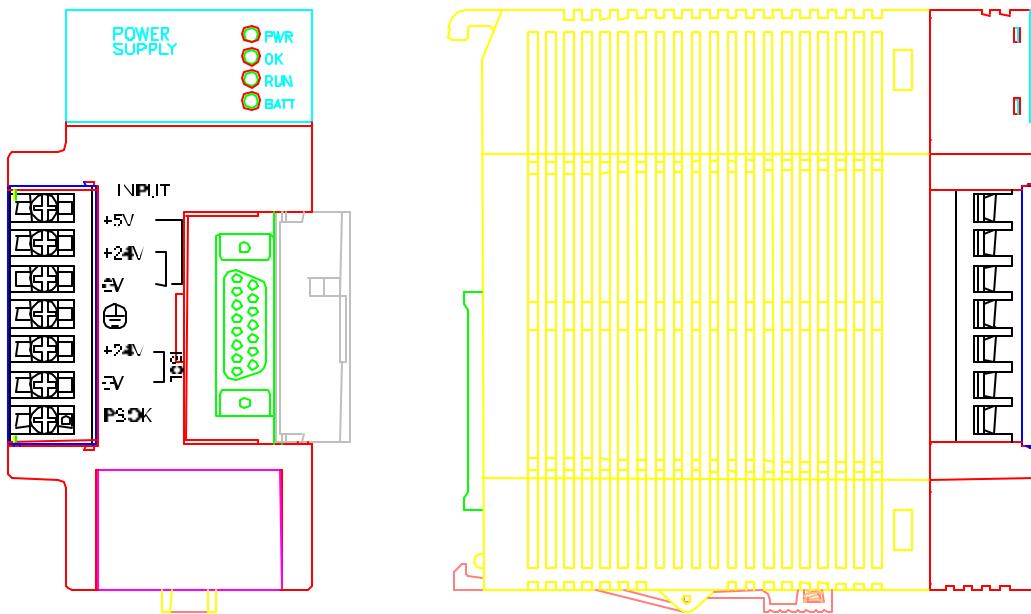


Figure 1 – HE693PWR524 Module

### 2 SPECIFICATIONS

Table 1 – HE693PWR524 Specifications			
HE693PWR524 Specifications		External Power Supply Requirements	
Maximum Power	30 Watts @ 5VDC	Remote Sense	Adjustable to 6.0 V
	30 Watts @ 24VDC	Power Fail	4 ms before loss of 5 or 24V
		30 Watts @ 24VDC Isolated	5VDC Supply
		24VDC Supply	+/- 2.5 V @ .63 Amps
		Output Ripple	+/- 1% p-p max
		Output Noise	+/- 5% p-p max (100kHz – 50mHz)
		Protection	Overvoltage / Overcurrent

3 WIRING / INSTALLATION

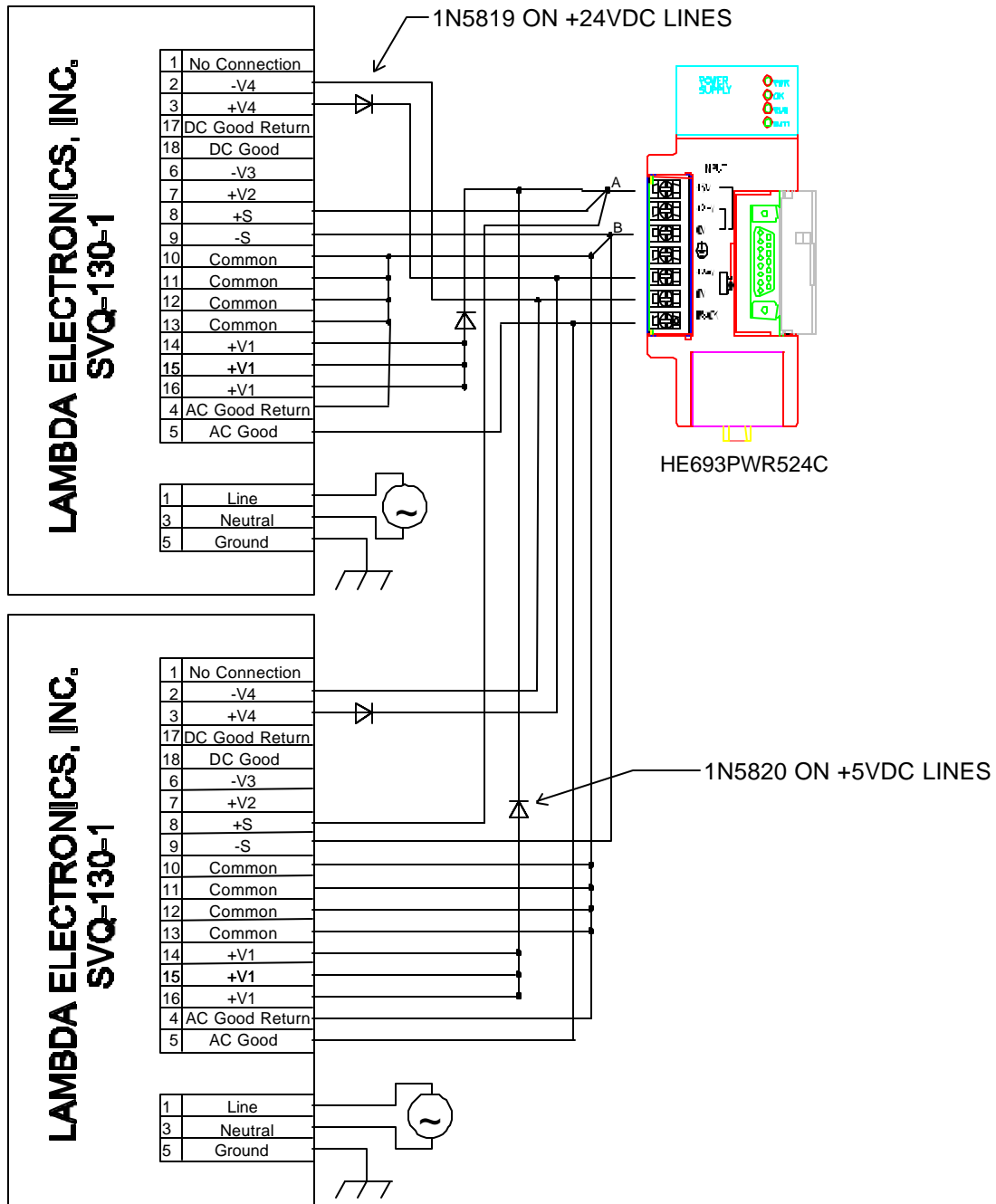


Figure 2 – Wiring diagram for HE693PWR524 with redundant power supplies.\*\*

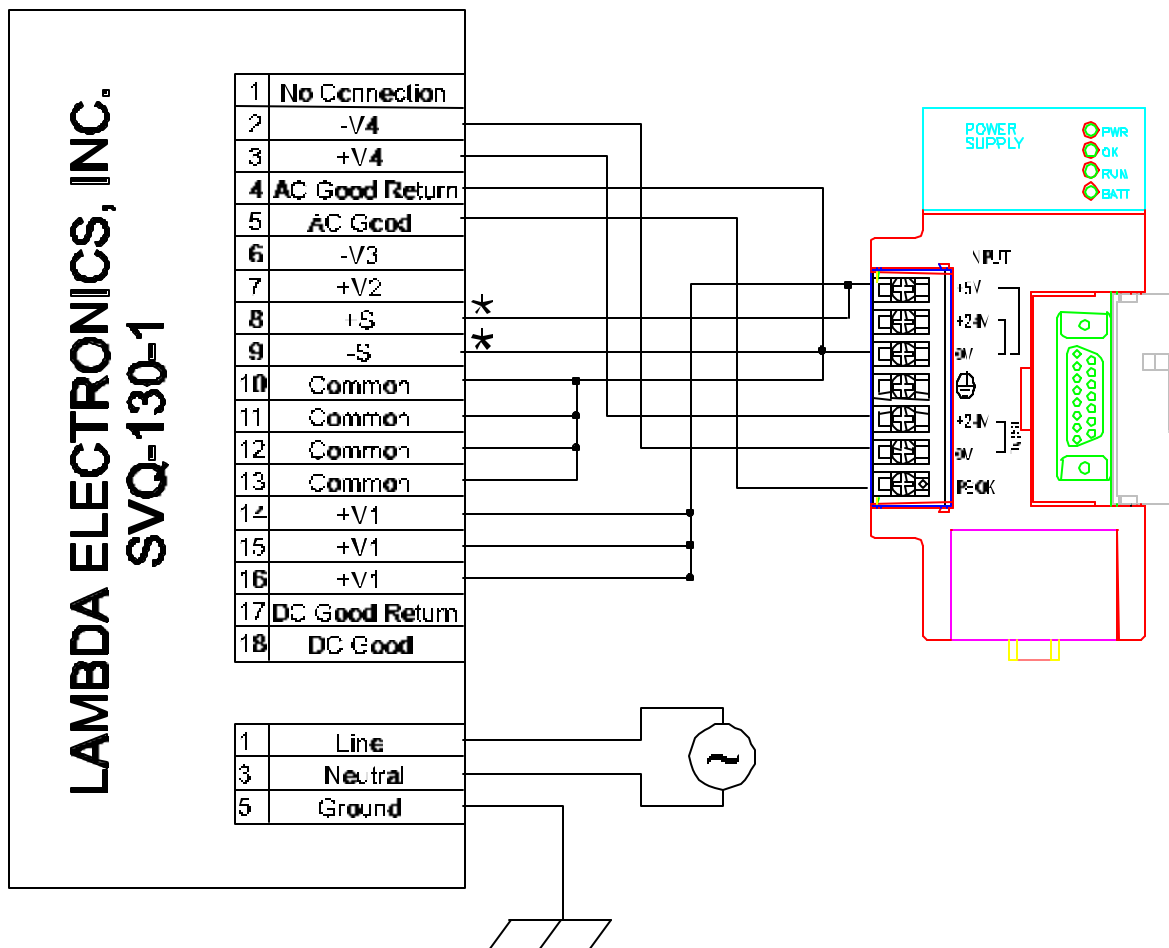


Figure 3 – Wiring diagram for HE693PWR524 with one power supply.\*\*

**Operation Notes:**

\* The remote sense lines are not required, but it is suggested to connect and activate them as explained in the "Instruction Manual For SVT115 / SVQ130 AC/DC Power Supply". This will ensure proper 5 V dc regulation at the HE693PWR524 +5V connector.

\*\* These wiring diagrams are for the HE693PWR524, Revision C or later.

- A. Connect the positive sense line (S+) to the +5V terminal on the HE693PWR524.
- B. Connect the negative sense line (S-) directly to the non-isolated ground terminal on the HE693PWR524.

The HE693PWR524 has only been tested in the above configurations with the Lambda SVQ-130-1 Power Supply. The HE693PWR524 could possibly be used with other power supplies. Please contact Horner APG with questions concerning use with alternate power supplies.