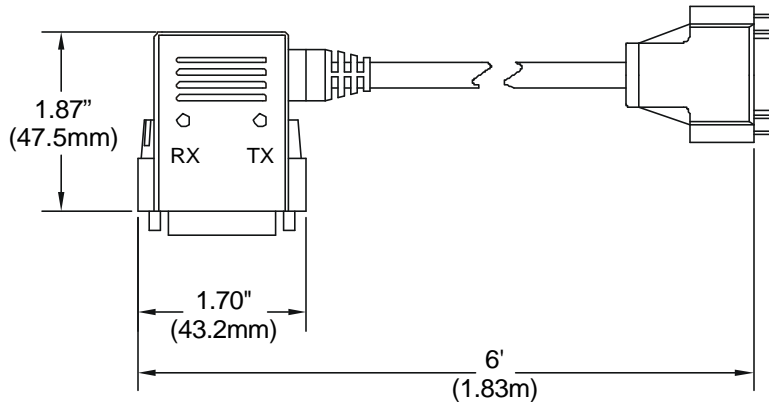


1 DESCRIPTION

The HE693SNPCBL SNP to RS-232 Adapter is equipped with two ports. The 15-pin SNP port plugs directly into the PLC Programmer Port on the CPU rack power supply. Power to the SNP Adapter is supplied directly from the programming port (maximum 100mA@5VDC). The 9-pin RS-232 port connects to any RS-232 device.



001ACC005

Figure 1 – SNPCBL Adapter

The SNPCBL has a 90° cable exit for simplified cable routing. The SNPCBL adapter head has a RX (Receive) LED and a TX (Transmit) LED; both LEDs are green when active.

The pin-out for the SNPCBL Adapter serial ports is provided as follows. The direction indicated is with respect to the adapter. The following pin-outs are chosen to allow direct connection (using a straight through or 1 to 1 cable) to the IBM PC/AT. Nearly ALL of the IBM compatible computers equipped with a 9-pin RS232 port provide a pin-out compatible with that shown in Table 2.

Pin #	Signal Name	Direction
1,3,7	[0V] Ground	N/A
2,5	[+5V] VCC	N/A
4	No Connection	N/A
6	[CTS-] Clear to Send	Input
8	[RTS+] Request to Send	Output
9,10	[TXD-] Transmit Data	Output
11	[TXD+] Transmit Data	Output
12	[RXD-] Receive Data	Input
13	[RXD+] Receive Data	Input
14	[CTS+] Clear to Send	Input
15	[RTS-] Request to Send	Output

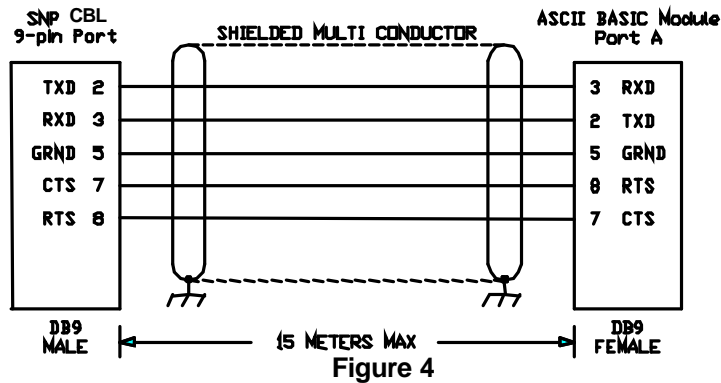
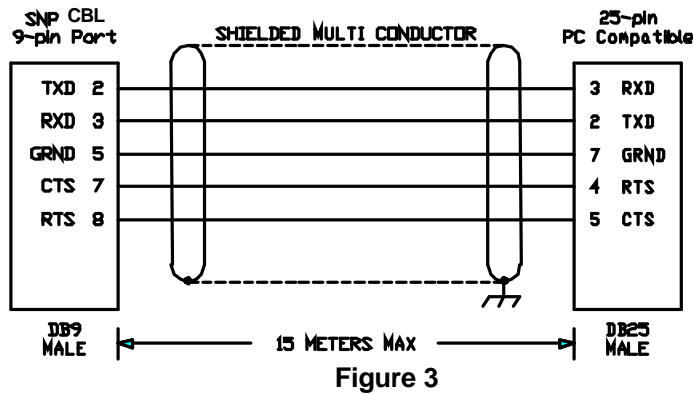
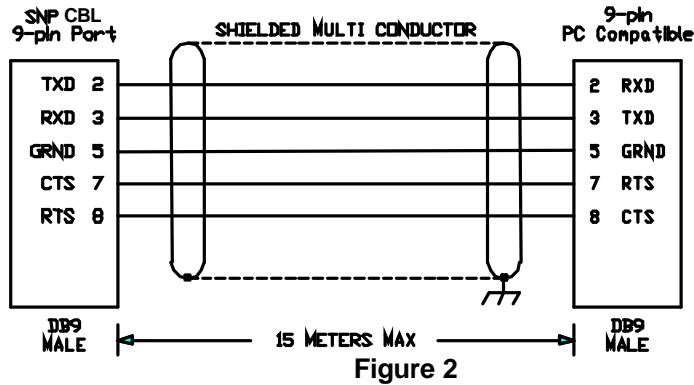
Pin #	Signal Name	Direction
1*	[DCD] Data Carrier Detect	Input
2	[TXD] Transmit Data	Output
3	[RXD] Receive Data	Input
5	[GND] Ground	N/A
6*	[DSR] Data Set Ready	Input
7	[CTS] Clear to Send	Input
8	[RTS] Request to Send	Output
9*	[RI] Ring Indicate	Input

* Shorted together and pulled high with 1K ohm pull-up resistor.

2 WIRING

2.1 Cable Diagrams

When connecting the SNP adapter to IBM compatible PCs with hardware handshaking, the following cable interfaces are used.



2.2 XT Adapter Pin-out

The XT Adapter can be used on an IBM compatible PC, which has a 25-pin RS232 port. The internal wiring of the XT Adapter is in the following figure.

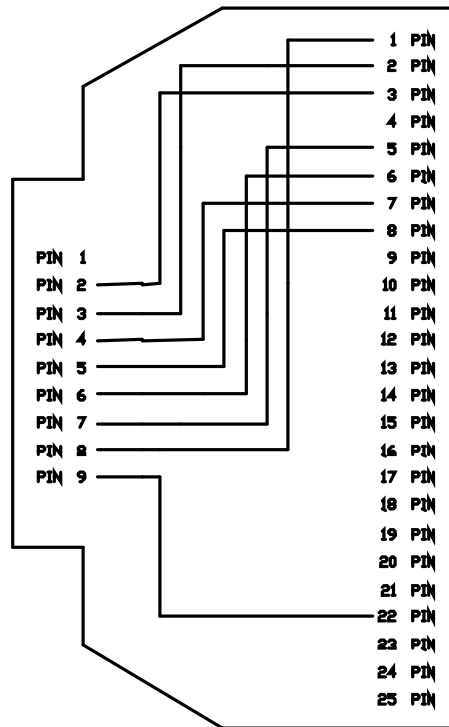


Figure 5

NOTES