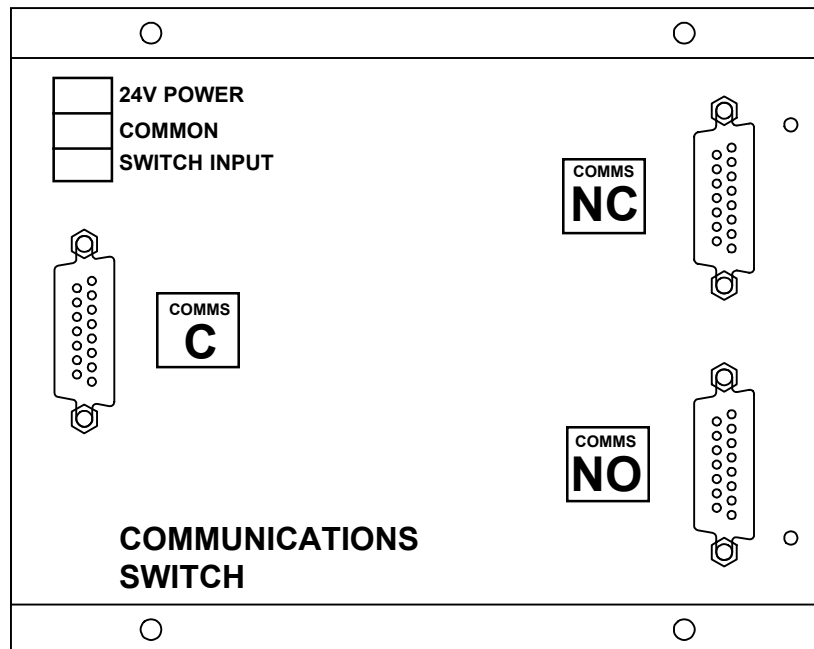


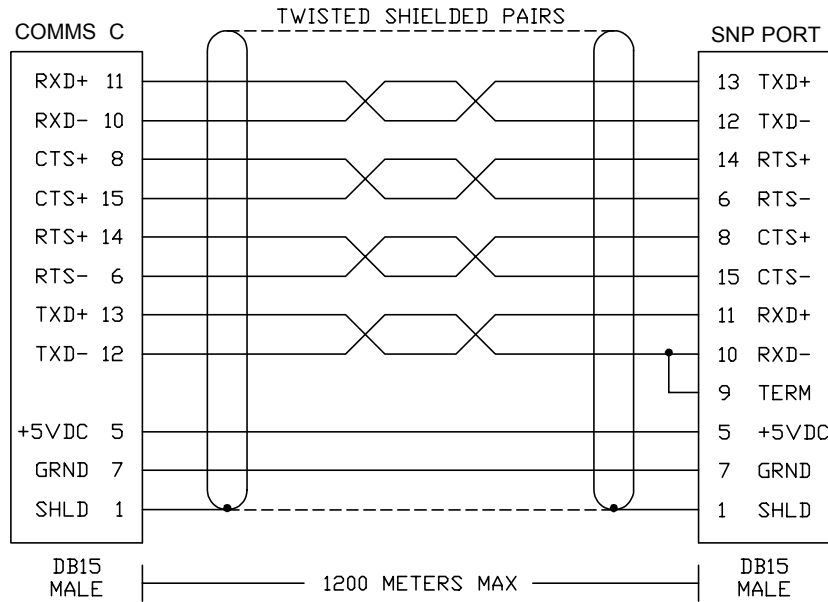


SNP 24V DC Remote Switch for GE Fanuc Series 90™ PLCs

The Horner APG HE693SNPSW is an A-B type remote SNP switch.

One port is connected to the GE Fanuc PLC and the other two slave ports are connected to SNP type communication devices. With no voltage tied to pin 3 of the green three pin power connector, slave port 1 is able to communicate with the 90-30, and port 2 is not. When 24V DC is applied to pin 3 of the green power connector, slave port 2 is able to communicate with the 90-30, and port 1 is not.





Note: The standard SNP cable includes the wire from pin 5 to pin 9. This wire is not necessary if you are building a custom cable.

