



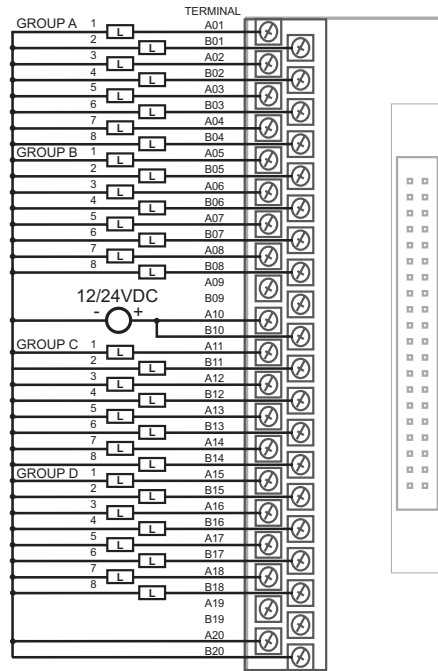
SmartRail

12/24VDC Output Modules

HE599DQM506 (8pt), HE599DQM606 (16pt), HE599DQM706 (32pt) Positive Logic

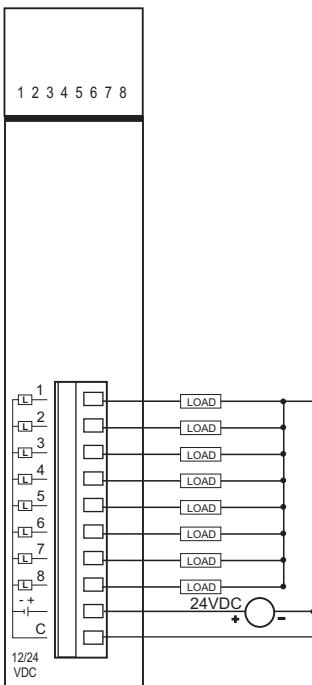
1 Specifications

Specifications			
	DQM506	DQM606	DQM706
Number of outputs	8	16	32
Commons per Module	1		
Output Voltage Range	12/24 VDC (10.2 – 26.4 VDC)		
Rated Output Current	0.5A/pt		0.2A/pt
	2A/common		
Max. Inrush Current	4A for 10mS		
Off Leakage Current	0.1mA or less		
Max. Voltage Drop (On)	0.4VDC or less		
Response Time	1mS or less		
Isolation	500VDC or greater		
LED indication	Labeled 1-8 for each output group		
Backplane Power Consumed @5V (all outputs on)	40mA	60mA	120mA
Terminal Type	Screw Type, Removable		IDE male header
Number of Terminals	10posn	8posn + 10 posn	40-pins
Optional Spring-Clamp Terminal Accessory	HE599 TRM010	HE599 TRM008 & HE599 TRM010	N/A
General Specifications			
Storage Temp.	-25° to 70° Celsius		
Operating Temp.	-0° to 55° Celsius		
Relative Humidity	5 to 95% Non-condensing		
Dimensions WxHxD	20mm x 90mm x 60mm		
	0.79" x 3.54" x 2.36"		
Weight	30g (1.1oz.)	40g (1.4oz.)	60g (2.1oz.)
CE & UL Compliance	CE, UL & C-UL		

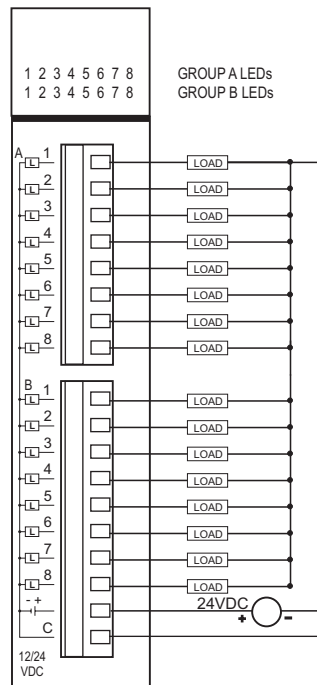


DQM706 Wiring (SmartLink Terminal Strip)

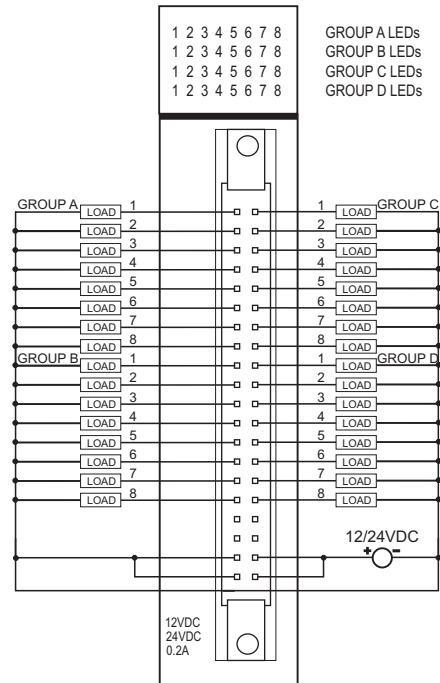
2 Wiring – I/O



DQM506 Wiring



DQM606 Wiring



DQM706 Wiring
40pin IDE Header cannot be directly wired. SmartLink Terminal Strip recommended

2.1 Output Wiring Terminals

Group	Output	DQM506 Terminal	DQM606 Terminal	DQM706 Pin
A	1	10posn – Terminal 1	8posn – Terminal 1	B20
	2	10posn – Terminal 2	8posn – Terminal 2	B19
	3	10posn – Terminal 3	8posn – Terminal 3	B18
	4	10posn – Terminal 4	8posn – Terminal 4	B17
	5	10posn – Terminal 5	8posn – Terminal 5	B16
	6	10posn – Terminal 6	8posn – Terminal 6	B15
	7	10posn – Terminal 7	8posn – Terminal 7	B14
	8	10posn – Terminal 8	8posn – Terminal 8	B13
	+12/24V	10posn – Terminal 9	10posn – Terminal 9	B02
	Common	10posn – Terminal 10	10posn – Terminal 10	A02
B	1	N/A	10posn – Terminal 1	B12
	2		10posn – Terminal 2	B11
	3		10posn – Terminal 3	B10
	4		10posn – Terminal 4	B09
	5		10posn – Terminal 5	B08
	6		10posn – Terminal 6	B07
	7		10posn – Terminal 7	B06
	8		10posn – Terminal 8	B05
C	1	N/A	N/A	A20
	2			A19
	3			A18
	4			A17
	5			A16
	6			A15
	7			A14
	8			A13
D	1	N/A	N/A	A12
	2			A11
	3			A10
	4			A09
	5			A08
	6			A07
	7			A06
	8			A05
	+12/24V	N/A	N/A	B01
	Common			A01
No Connect		N/A	N/A	B04
				B03
				A04
				A03

Note: Groups A, B, C & D are share the same +12/24V & Common terminals.

2.2 SmartLink Wiring Accessories

The DQM706 32-pt DC Output module utilizes a 40pin IDC male connector for user connections. SmartLink Wiring Accessories can be used with the DQM706 to provide a more convenient wiring method. These consist of a DIN-rail mounted 40position terminal strip, connected to the front of the DQM706 with a 40pin round cable. This cable is available in 0.5m or 2.0m lengths. The table below lists the part numbers for the SmartLink Wiring Accessories compatible with the HE599DQM706 input module.

SmartLink Wiring Accessories	
Description	Part Number
40pin DIN-rail mounted Terminal Strip	HE599TRM040
40pin Cable, 0.5m	HE599CBL040
40pin Cable, 2.0m	HE599CBL240

3 Configuration DATA

The SmartRail digital output modules are configurable to "hold last state" if desired – when communications is lost with the controlling CPU. This is not configurable on a point-by-point basis, but rather by a group-by-group basis (8points/group). Cescape (9.1 or later) is required for configuration:

Cescape Configuration Data – Selectable per Group				
Parameter	Selections	DQM506	DQM606	DQM706
Hold Last State (Yes or No)	Group A (outputs 1-8)	X	X	X
	Group B (outputs 9-16)	N/A	X	X
	Group C (outputs 17-24)		N/A	X
	Group D (outputs 25-32)			X

4 Installation / safety

Warning: Remove power from the OCS controller and any peripheral equipment connected to this local system before adding or replacing this or any module.

- a. All applicable codes and standards should be followed in the installation of this product.

For detailed installation and a handy checklist that covers panel box layout requirements and minimum clearances, refer to the hardware manual of the controller you are using.

When found on the product, the following symbols specify:



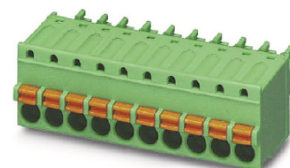
7 Technical Support

Technical Support at the following locations:

North America:
 Tel: 317 916-4274
 Fax: 317 639-4279
 Web: <http://www.heapg.com>
 Email: techsppt@heapg.com

Europe:
 Tel: +353-21-4321266
 Fax: +353-21-4321826
 Web: <http://www.horner-apg.com>
 Email: tech.support@horner-apg.com

No part of this publication may be reproduced without the prior agreement and written permission of Horner APG, Inc. Information in this document is subject to change without notice.



Prefer Spring-clamps?

Spring-clamp style plugs are available as economical wiring accessories. See the specification table for part number(s). Representative 10-position plug shown above.