



AC Output Module

HE800DQM904*

20 AC Outputs

0 – 260VAC Out, Positive Logic

* This datasheet Also Covers HE800DQM904-47.



Note: The DQM904-47 is similar to the DQM904 module, but the DQM904-47 is configured in Cscape to be read in as DQM902.

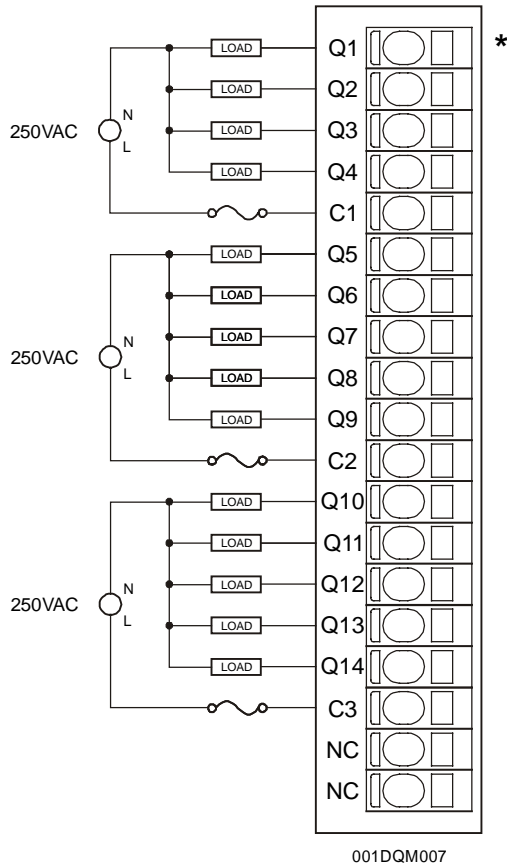
1 SPECIFICATIONS

OUTPUT	DQM904		DQM904
Outputs per Module	8	Maximum Load Current per output	0.5A Max.
Commons per Module	1	Maximum Leakage Current	15µA Max.
Operating voltage	260VAC Max.	Maximum Inrush Current	500mA
Output Type	MOSFET	OFF to ON Response	10ms. Max.
Contact Voltage	260VAC Max.	ON to OFF Response	3ms. Max.
ON Voltage level	1V Max.		
Isolation (Channel to Channel and Channel to Common)	500VDC	Status Indicator	8

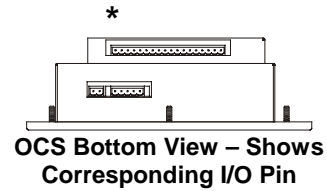
General Specifications			
Required Power (Steady State)	To Be Announced	CE	See Compliance Table at http://www.heapg.com/Support/compliance.htm
Required Power (Inrush)	To Be Announced	UL	
Relative Humidity	5 to 95% Non-condensing	Terminal Type	Spring Clamp, Removable
Operating Temperature	0° to 60° Celsius	Weight	To Be Announced

2 SPECIFICATIONS

2.1 Output Wiring (P1) – Outputs 1 – 14



001DQM007



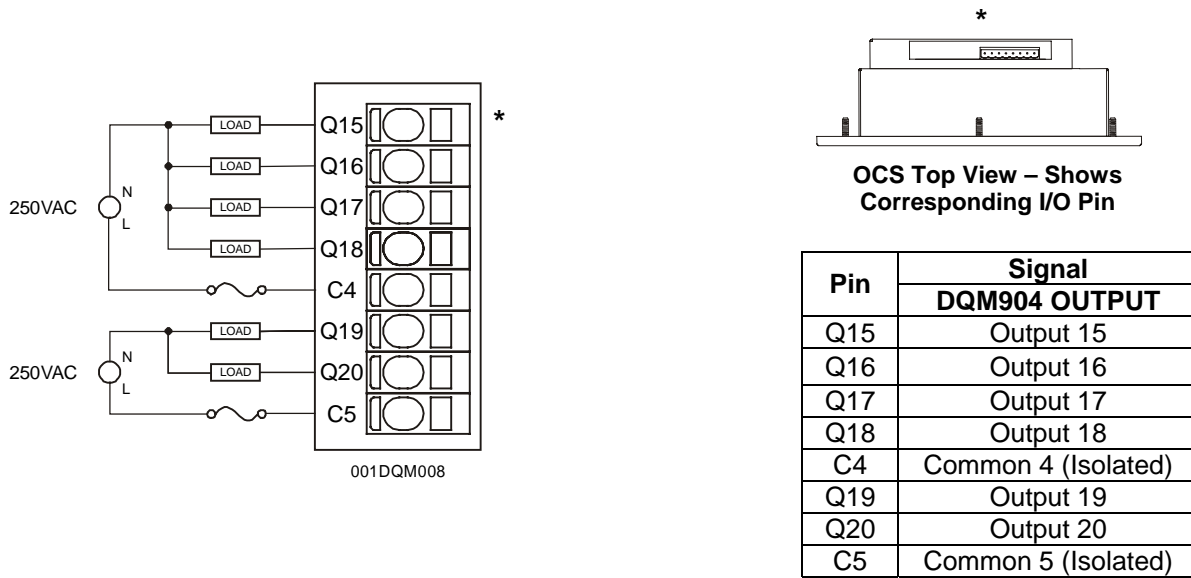
Pin	Signal
	DQM904 OUTPUT
Q1	Output 1
Q2	Output 2
Q3	Output 3
Q4	Output 4
C1	Common 1 (Isolated)
Q5	Output 5
Q6	Output 6
Q7	Output 7
Q8	Output 8
Q9	Output 9
C2	Common 2 (Isolated)
Q10	Output 10
Q11	Output 11
Q12	Output 12
Q13	Output 13
Q14	Output 14
C3	Common 3 (Isolated)
NC	No Connect
NC	No Connect

Warning: To protect the module and associated wiring from load faults, use external fuse (2A) as shown.

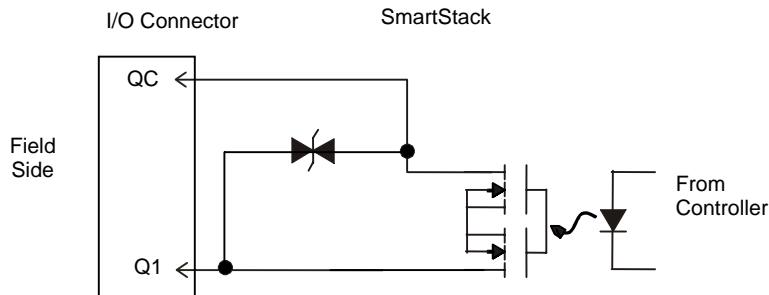
Warning: Connecting high voltage to any I/O pin may cause high voltage to appear at other I/O pins.

Warning: Wiring the line side of the AC source to loads connected to outputs 1 through 14 and the neutral side of the AC source to the output common(s) would create a Negative Logic condition, which may be considered an unsafe practice.

2.2 Output Wiring (P2) – Outputs 15-20



3 INTERNAL WIRING



Specification for transient voltage suppressors (transorbs) used on output circuitry is 400VDC, bi-directional 400 watts.

4 CONFIGURATION

Note: The status of the I/O can be monitored in Cscape Software.

Note: The DQM904-47 is similar to the DQM904 module, but the DQM904-47 is configured in Cscape to be read in as DQM902.

Preliminary configuration procedures that are applicable to all SmartStack™ Modules are located in the Control Station Hardware Manual (MAN0227).

Selecting the **I/O Map** tab provides information about the I/O registers, which are assigned to a specific SmartStack™ Module and where the module is located in the point map. The I/O Map is determined by the model number and location within the SmartStack™. The I/O Map is not edited by the user.

The **Module Setup** is used in applications where it is necessary to change the default states of the outputs when the controller (e.g., OCS100) enters idle/stop mode. The default turns the outputs OFF when the controller enters idle/stop mode. By selecting the Module Setup tab, each output can be set to either turn ON, turn OFF or to hold the last state. Generally, most applications use the default settings.

Warning: The default turns the outputs OFF when the controller enters idle/stop mode. To avoid injury of personnel or damages to equipment, exercise extreme caution when changing the default setting using the **Module Setup** tab.

5 INSTALLATION / SAFETY

Warning: It is the responsibility of the user of this equipment to ensure that adequate fusing is installed externally on each relay output circuit.

Warning: Remove power from the OCS controller, CAN port, and any peripheral equipment connected to this local system before adding or replacing this or any module.

For detailed installation information, refer to Chapter Two in the Control Station Hardware Manual (MAN0227). A handy checklist is provided that covers panel box layout requirements and minimum clearances. All applicable codes and standards are to be followed in the installation of this product. Use the following wire type or equivalent: Belden 8917, 16 AWG or larger.

When found on the product, the following symbols specify:



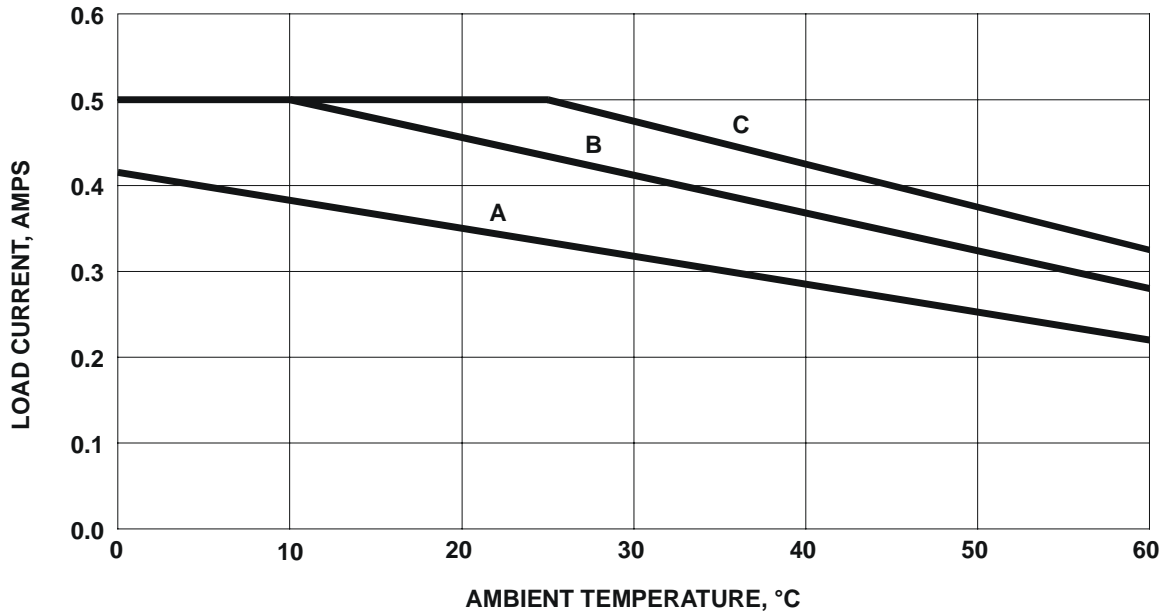
Warning: Consult user documentation.



Warning: Electrical Shock Hazard.

6 OUTPUT CHARACTERISTICS

HE800DQM904 OUTPUT CURRENT DERATING CHART



A: ALL OUTPUTS ON
B: EVERY OTHER OUTPUT ON
C: EVERY FOURTH OUTPUT ON

7 TECHNICAL ASSISTANCE

For manual updates and assistance, contact Technical Support at the following locations:

North America:
(317) 916-4274
www.heapg.com

Europe:
(+) 353-21-4321-266
www.horner-apg.com

NOTES