



+/- 10V Analog Isolated Input / Output Module

HE800MIX211 / HE-MIX211*

* HE- denotes plastic case.



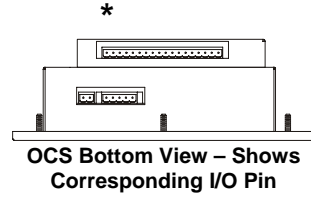
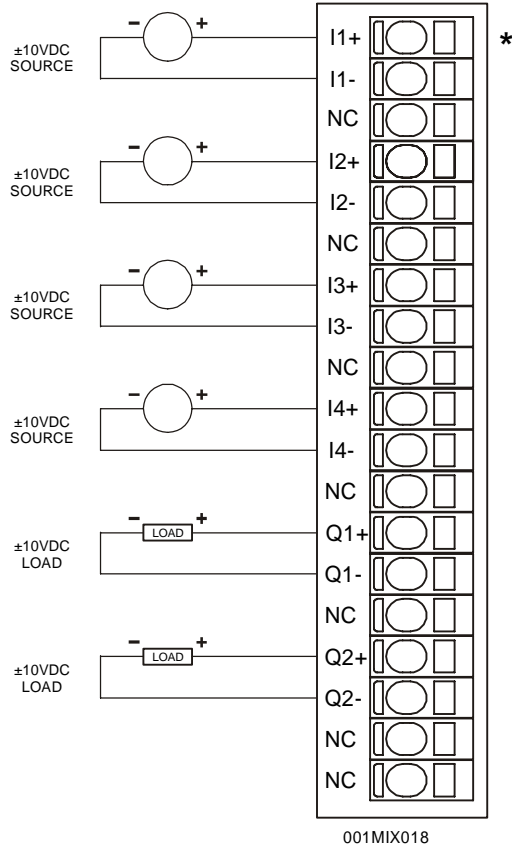
This datasheet also covers products starting with IC300.

1 SPECIFICATIONS

MIX211 Specifications			
NOTE: A Higher Memory Controller is REQUIRED when using MIX211 such as OCS110 / 210, OCS250 or higher, or RCS250.			
INPUT			
Number of Channels	4	Analog Inputs Input Points Required	4
Input Ranges (including over-range)	0 – 5.11VDC ±0 – 5.11VDC 0 – 10.23VDC ±10.23VDC	Maximum Over-Voltage	150VDC Max. 450VDC for 5 seconds
Resolution	14-Bits	Additional error for temperatures other than 25°C	0.01% / °C
Input Impedance	1Meg Ohm	External Power Supply	None
Maximum Error at 25°C	0.1%	Converter Type	V-F
Isolation voltage (Channel to Channel and Channel to Ground)	1000VDC		
OUTPUT			
Number of Channels	2	Analog Outputs; Output Points Required	2
Output Ranges (including over-range)	0 – 5.11VDC ±0 – 5.11VDC 0 – 10.23VDC ±10.23VDC	Additional error for temperatures other than 25°C	0.01% / °C
Resolution	14-Bits	Output Clamp	± 11VDC
Load Impedance			
Rev. B and lower	2K Ohms Min.	Conversion Settling Time	1ms.
Rev. C and higher	Voltage range with 250 Ohm load: 0 to 5 VDC Voltage range with 1k Ohm load: 0 to 10 VDC		
Load Capacitance	0.01µF Max.		
PLC Update Rate	Set by PLC Scan Time	External Power Supply	None
Isolation voltage (Channel to Channel and Channel to Ground)	1000VDC	Maximum Error at 25°C	0.1%

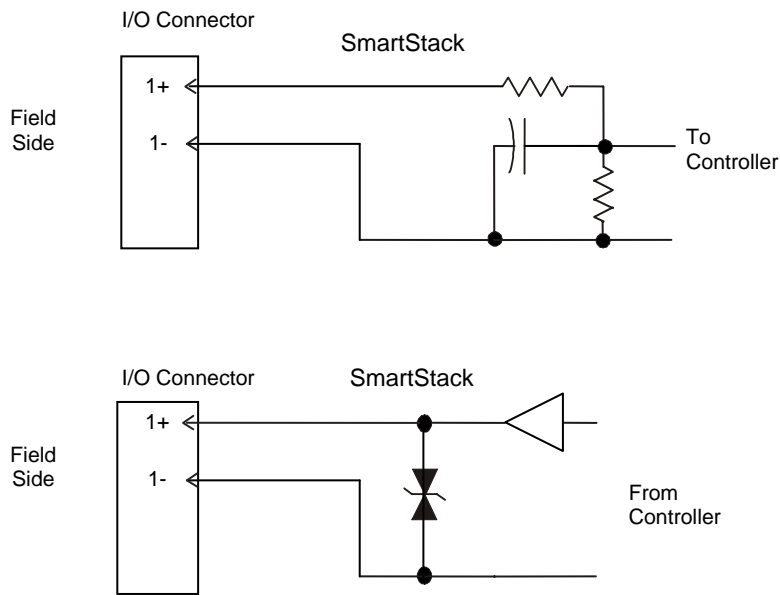
General Specifications			
Required Power (Steady State)	2.9W (120mA @24VDC)	Operating Temperature	0° to 60° Celsius
Required Power (Inrush)	Negligible	Terminal Type	Spring Clamp, Removable
Relative Humidity	5 to 95% Non-condensing	Weight	9.5 oz. (270 g)
CE	See Compliance Table at http://www.heapg.com/Support/compliance.htm		
UL			

2 WIRING



Pin	Signal
	MIX211
I1 +	Input 1+
I1 -	Input 1-
NC	NC
I2 +	Input 2+
I2 -	Input 2-
NC	NC
I3 +	Input 3+
I3 -	Input 3-
NC	NC
I4 +	Input 4+
I4 -	Input 4-
NC	NC
Q1 +	Output 1+
Q1 -	Output 1-
NC	NC
Q2 +	Output 2+
Q2 -	Output 2-
NC	NC
NC	NC

3 INTERNAL CIRCUIT SCHEMATIC



Specification for transient voltage suppressors (transorbs) used on output circuitry is 11VDC, bi-directional 500 watts.

4 CONFIGURATION

NOTE: The status of the I/O can be monitored in Cscape Software.

Preliminary configuration procedures that apply to SmartStack™ Modules are contained in the hardware manual of the controller you are using. Refer to the **Additional References** section in this data sheet for a listing of hardware manuals.

I/O Map Tab

The I/O Map describes which I/O registers are assigned to a specific SmartStack™ Module and where the module is located in the point map. The I/O Map is determined by the model number and location within the SmartStack™. The I/O Map is not edited by the user.

Module Setup Tab

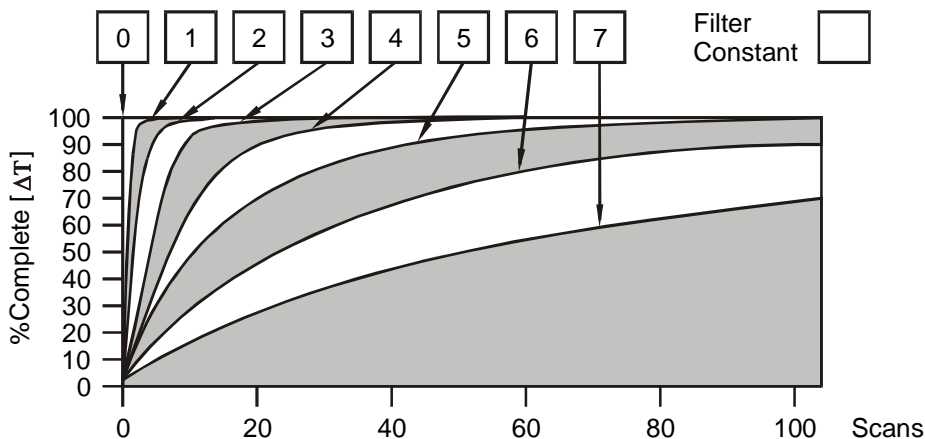
The **Module Setup** is used in applications where it is necessary to change the default states or values of the outputs when the controller (e.g., OCS100) enters idle/stop mode.

1. For Analog Outputs: The default sets the output values to zero when the controller enters idle/stop mode. By selecting the Module Setup tab, each output can be set to a specific value or hold the last value. Generally, most applications use the default settings.

Warning: The default sets the output values to zero when the controller enters idle/stop mode. To avoid injury of personnel or damages to equipment, exercise extreme caution when changing the default setting using the **Module Setup** tab.

2. Analog Inputs

- a) Input range for each channel can be selected independently.
- b) Filter Constant sets the level of digital filtering according to the following chart.



Digital Filtering. The illustration above demonstrates the effect of digital filtering (set with Filter Constant) on module response to a temperature change.

5 INPUT CONVERSION FACTOR

The following table describes how real-world inputs are scaled into the controller. Given a known input voltage, the data value is calculated by using the conversion factor from the table. The following formula is used: **Data = Voltage In (Vin) / Conversion Factor**

Example: The user selects a voltage range of 0 to +5 VDC:

- 1) The known input voltage is 3 VDC.
- 2) Using the table, the conversion factor for the voltage range of 0 to +5 VDC is 0.00015625.
- 3) To determine the data value, the formula is used:

$$\text{Data} = \text{Vin} / \text{Conversion Factor}$$

$$19200 = 3 \text{ VDC} / 0.00015625$$

Conversion of Real-World Inputs into Controller			
Selected Voltage Range	Voltage In (Vin) VDC	Data Out	Conversion Factor
0 to +5.00	+5.11	+32,736	0.00015625
	+5.00	+32,000	
	0	0	
	0	-32,000	
	0	-32736	
+/-5.00	+5.11	+32,736	0.00015625
	+5.00	+32,000	
	0	0	
	-5.00	-32,000	
	-5.11	-32736	
0 to +10.00	+10.23	+32,736	0.0003125
	+10.00	+32,000	
	0	0	
	0	-32,000	
	0	-32736	
+/-10.00	+10.23	+32736	0.0003125
	+10.00	+32000	
	0	0	
	-10.00	-32000	
	-10.23	-32736	

6 OUTPUT CONVERSION FACTOR

The following table describes how program data values are scaled to real-world analog voltage outputs by the module. Given a desired output voltage, the data value is calculated by using the conversion factor from the table. The following formula is used: **Data = Voltage Out (V out) / Conversion Factor**

Example: The user selects ± 10 VDC output range:

- 1) The desired voltage is 3 VDC.
- 2) Using the table, the conversion factor for the voltage range of 0 to +10 VDC is 0.0003125.
- 3) To determine the data value, the formula is used:

$$\text{Data} = \text{V out} / \text{Conversion Factor}$$

$$9600 = 3 \text{ VDC} / 0.0003125$$

Conversion of Real-World Outputs into Controller			
Selected Voltage Output Range	Data	Voltage Out (V out) VDC	Conversion Factor
0 to +5.00	+5.11	+32,736	0.00015625
	+5.00	+32,000	
	0	0	
	0	-32,000	
	0	-32736	
+/-5.00	+5.11	+32,736	0.00015625
	+5.00	+32,000	
	0	0	
	-5.00	-32,000	
	-5.11	-32736	
0 to +10.00	+10.23	+32,736	0.0003125
	+10.00	+32,000	
	0	0	
	0	-32,000	
	0	-32736	
+/-10.00	+10.23	+32736	0.0003125
	+10.00	+32000	
	0	0	
	-10.00	-32000	
	-10.23	-32736	

7 INSTALLATION / SAFETY

Warning: Remove power from the OCS controller, CAN port, and any peripheral equipment connected to this local system before adding or replacing this or any module.

- a) All applicable codes and standards are to be followed in the installation of this product.
- b) Use the following wire type or equivalent for discrete I/O: Belden 8917, 16 AWG or larger.
- c) Use the following shielded, twisted-pair wiring for Analog I/O: Belden 8441.
- d) In severe applications, shields should be tied directly to the ground block within the panel.

For detailed installation and a handy checklist that covers panel box layout requirements and minimum clearances, refer to the hardware manual of the controller you are using. (See the **Additional References** section in this document.)

When found on the product, the following symbols specify:



Warning: Consult user documentation.



Warning: Electrical Shock Hazard.

WARNING: To avoid the risk of electric shock or burns, always connect the safety (or earth) ground before making any other connections.

WARNING: To reduce the risk of fire, electrical shock, or physical injury it is strongly recommended to fuse the voltage measurement inputs. Be sure to locate fuses as close to the source as possible.

WARNING: Replace fuse with the same type and rating to provide protection against risk of fire and shock hazards.

WARNING: In the event of repeated failure, do not replace the fuse again as a repeated failure indicates a defective condition that will not clear by replacing the fuse.

WARNING: Only qualified electrical personnel familiar with the construction and operation of this equipment and the hazards involved should install, adjust, operate, or service this equipment. Read and understand this manual and other applicable manuals in their entirety before proceeding. Failure to observe this precaution could result in severe bodily injury or loss of life.

For detailed installation and a handy checklist that covers panel box layout requirements and minimum clearances, refer to the hardware manual of the controller you are using. (See the **Additional References** section in this document.)

- All applicable codes and standards need to be followed in the installation of this product.
- For I/O wiring (discrete), use the following wire type or equivalent: Belden 9918, 18 AWG or larger.

Adhere to the following safety precautions whenever any type of connection is made to the module.

- Connect the green safety (earth) ground first before making any other connections.
- When connecting to electric circuits or pulse-initiating equipment, open their related breakers. Do not make connections to live power lines.
- Make connections to the module first; then connect to the circuit to be monitored.
- Route power wires in a safe manner in accordance with good practice and local codes.
- Wear proper personal protective equipment including safety glasses and insulated gloves when making connections to power circuits.
- Ensure hands, shoes, and floor are dry before making any connection to a power line.
- Make sure the unit is turned OFF before making connection to terminals. Make sure all circuits are de-energized before making connections.
- Before each use, inspect all cables for breaks or cracks in the insulation. Replace immediately if defective.

8 ADDITIONAL REFERENCES

The following information serves as a *general* listing of Horner controller products and other references of interest and their corresponding manuals numbers. Visit our website listed in the **Technical Support** section to obtain user documentation and updates.

Note: This list is <u>not</u> intended for users to determine which products are appropriate for their application; controller products differ in the features that they support. If assistance is required, see the Technical Support section in this document.	
Controller	Manual Number
XLE Series (e.g., HE-XExxx)	MAN0805
QX Series (e.g., HE-QXxxx)	MAN0798
NX Series (e.g., HE-NXxxx)	MAN0781
LX Series (e.g., LX-xxx; also covers RCS116)	MAN0755
Color Touch OCS (e.g., OCSxxx)	MAN0465
OCS (Operator Control Station) (e.g., OCS1xx / 2xx; Graphic OCS250)	MAN0227
Remote Control Station (e.g., RCS2x0)	
MiniOCS (e.g., HE500OCSxxx, HE500RCSxxx)	MAN0305
Other Useful References	
CAN Networks	MAN0799
Cscape Programming and Reference	MAN0313
Wiring Accessories and Spare Parts Manual	MAN0347
DeviceNet™ Implementation	SUP0326
Wiring Accessories and Spare Parts Manual	MAN0347

9 TECHNICAL SUPPORT

For assistance and manual updates, contact Technical Support at the following locations:

North America:

(317) 916-4274

www.heapg.com

email: techspt@heapg.com

Europe:

(+) 353-21-4321-266

www.horner-apg.com

email: techsupport@hornerirl.ie

NOTES