



24VDC Bipolar Digital In
10-28VDC, 0.5A Sinking Digital Out
HE800MIX904 / HE-MIX904*
4-20mA Analog In/Out
 * HE- denotes plastic case.



This datasheet also covers products starting with IC300.

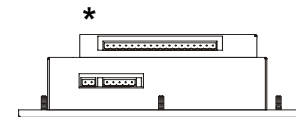
1 SPECIFICATIONS

ANALOG INPUT			
Number of Channels	4	Analog Inputs Input Points Required	4
Input Ranges (including over-range)	Nominal: 0-20.47mA	Conversion Time (PLC Update Rate)	Set by PLC Scan Time All channels updated to once per scan.
Resolution	12-Bit	Converter Type	Successive Approximation
Input Impedance	200 Ohms < 12VDC, Clamped @ 12VDC, 35mA Max. Continuous	Additional error for temperatures other than 25°C	0.01% / °C
Maximum Error at 25°C	0.1%	Maximum Over-Current	35mA
DIGITAL INPUT			
Inputs per Module	8	Input Characteristics	Bidirectional
Commons per Module	1	Input Impedance	10K Ohms
Input Voltage Range	12-24VDC	Minimum ON Current	1mA
Peak Voltage	35VDC Max.	Maximum OFF Current	200µA
Isolation (Channel to Ground)	500VDC	OFF to ON Response	1ms.
ON Voltage Level	9VDC	ON to OFF Response	1ms.
OFF Voltage Level	3VDC		
ANALOG OUTPUT			
Number of Channels	2	Analog Outputs; Output Points Required	2
Output Ranges (including over- range)	0-20.47mA; Clamped @-0.5 - +33VDC Nominal	Additional error for temperatures other than 25°C	0.01% / °C
Resolution	12 Bits	Maximum Error at 25°C	0.1%
Output Voltage	4 - 30VDC		
DIGITAL OUTPUT			
Outputs per Module	8	Output Protection	Short Circuit
Commons per Module	1	Maximum Leakage Current	100µA
Operating Voltage	5 - 35VDC	Maximum Inrush Current	600mA. per channels
Output Type	Sinking / 10K Pull-Up	Minimum Load	None
Peak Voltage	35VDC Max.	OFF to ON Response	1ms.
Output Characteristics	Current Sinking	ON to OFF Response	1ms.

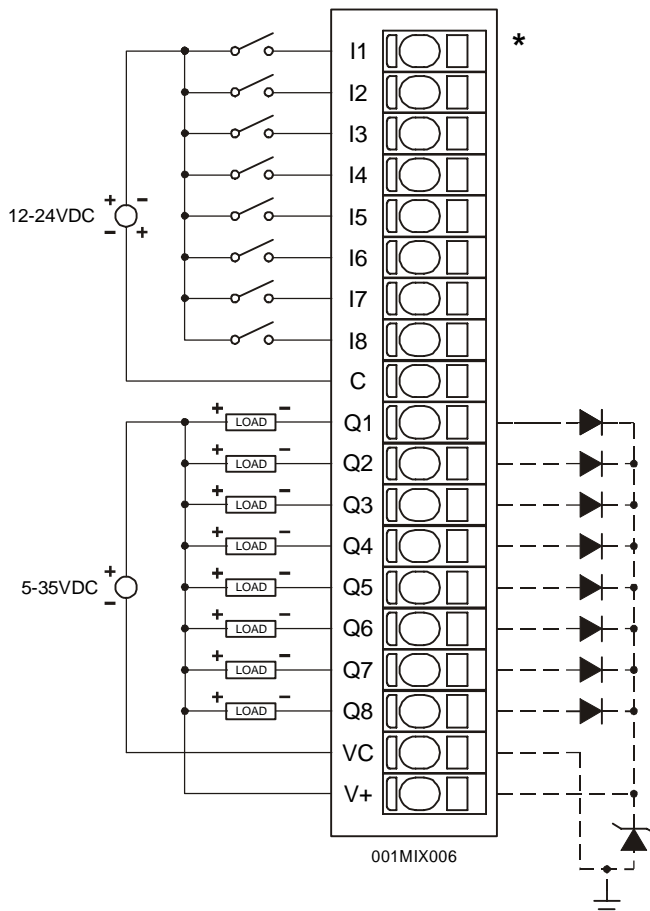
ON Voltage Level	1.5VDC Max.	Maximum Current per Channel	500mA
		Total Maximum Current	4A
General Specifications			
Required Power (Steady State)	0.1W (4mA @ 24VDC)	Operating Temperature	0° to 60° Celsius
Required Power (Inrush)	Negligible	Terminal Type	Spring Clamp, Removable
Relative Humidity	5 to 95% Non-condensing	Weight	9.5 oz. (270 g)
CE	See Compliance Table at http://www.heapg.com/Support/compliance.htm		
UL			

2 WIRING

2.1 Digital Input / Output (P1)



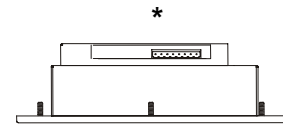
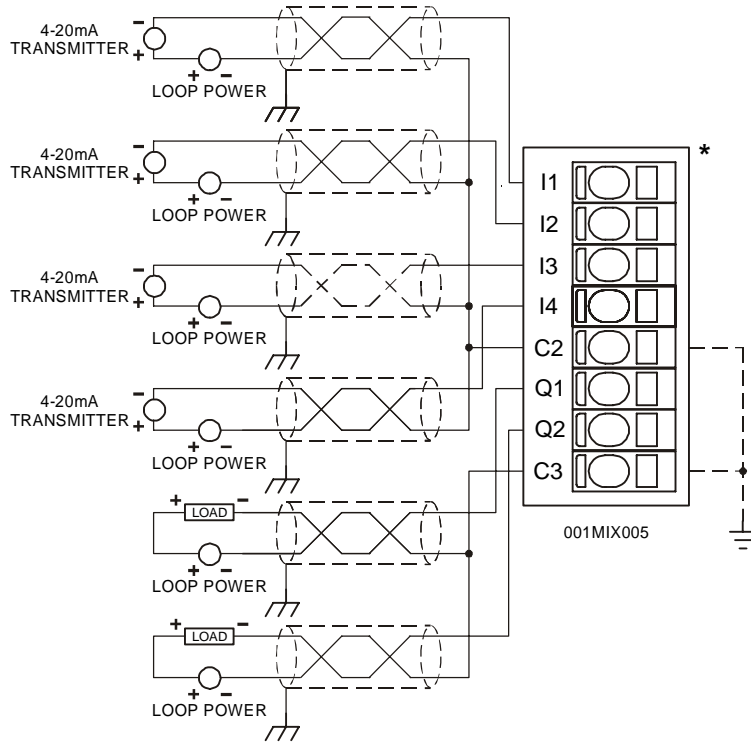
OCS Bottom View – Shows Corresponding I/O Pin



Pin	Digital Input / Output
I1	Input 1
I2	Input 2
I3	Input 3
I4	Input 4
I5	Input 5
I6	Input 6
I7	Input 7
I8	Input 8
C	Common
Q1	Output 1
Q2	Output 2
Q3	Output 3
Q4	Output 4
Q5	Output 5
Q6	Output 6
Q7	Output 7
Q8	Output 8
VC	Common
V+	Load Voltage +

Warning: This is a negative logic device. Use of it may be considered an unsafe practice under CE directives.

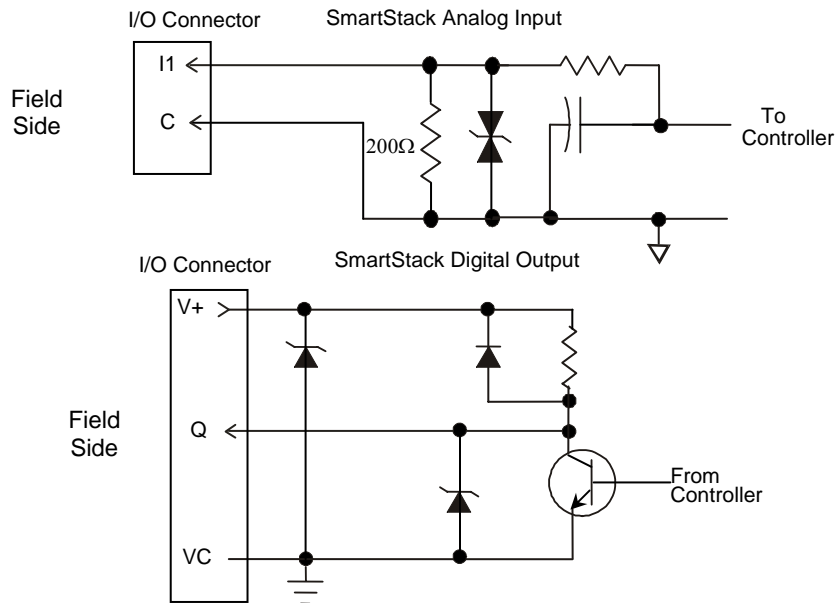
2.2 Analog Input / Output (P2)



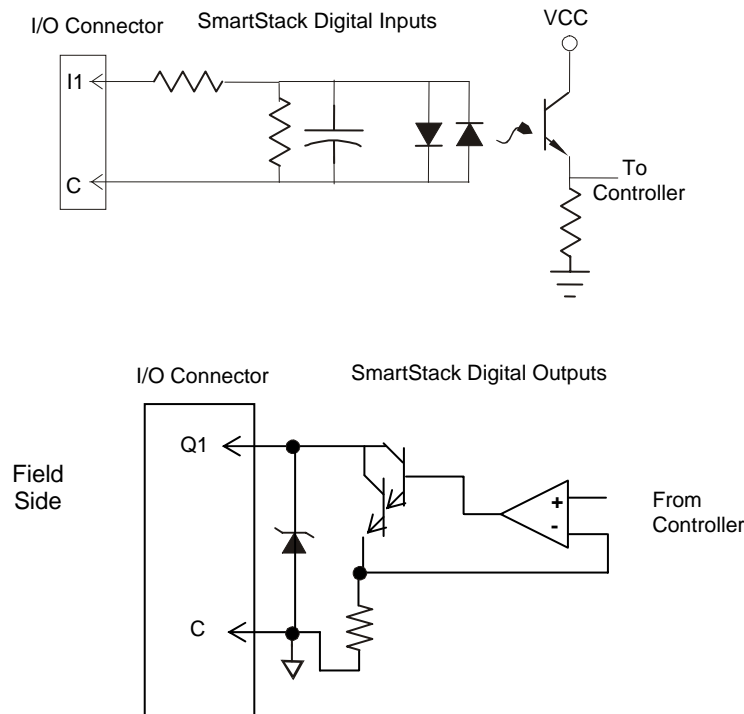
OCS Top View – Shows Corresponding I/O Pin

Pin	Analog In and Out
I1	Input 1
I2	Input 2
I3	Input 3
I4	Input 4
C2	Input Common
Q1	Output 1
Q2	Output 2
C3	Output Common

3 INTERNAL CIRCUIT SCHEMATIC



Specification for transient voltage suppressors (transorbs) used on output circuitry is 36VDC, 300 watts.



Specification for transient voltage suppressors (transorbs) used on output circuitry is 30VDC, 300 watts.

4 CONFIGURATION

Note: The status of the I/O can be monitored in Cscape Software.

Preliminary configuration procedures that apply to SmartStack™ Modules are contained in the hardware manual of the controller you are using. Refer to the **Additional References** section in this data sheet for a listing of hardware manuals.

Module Setup Tab

The **Module Setup** is used in applications where it is necessary to change the default states or values of the outputs when the controller (e.g., OCS100) enters idle/stop mode.

1. For Digital Outputs: The default turns the outputs OFF when the controller enters idle/stop mode. By selecting the Module Setup tab, each output can be set to either turn ON, turn OFF or to hold the last state. Generally, most applications use the default settings.

Warning: The default turns the digital outputs OFF when the controller enters idle/stop mode. To avoid injury of personnel or damages to equipment, exercise extreme caution when changing the default settings.

2. For Analog Outputs: The default sets the output values to zero when the controller enters idle/stop mode. By selecting the Module Setup tab, each output can be set to a specific value or hold the last value. Generally, most applications use the default settings.

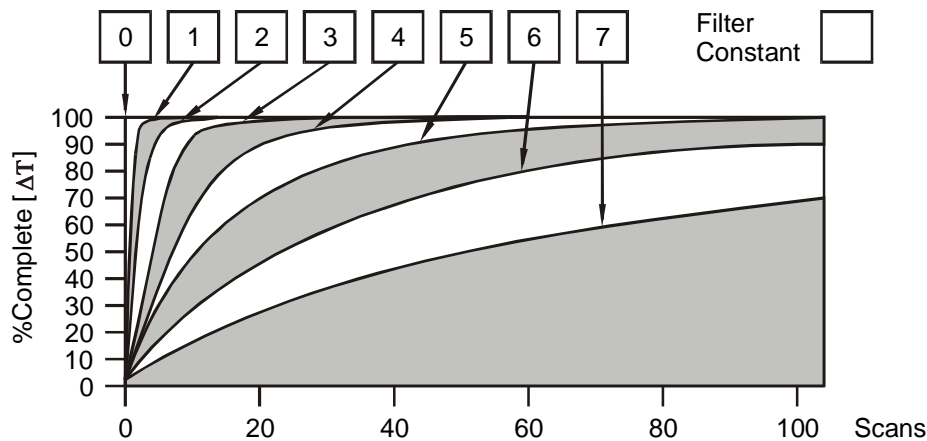
Warning: The default sets the output values to zero when the controller enters idle/stop mode. To avoid injury of personnel or damages to equipment, exercise extreme caution when changing the default setting using the **Module Setup** tab.

3. For Analog Inputs:

Filter Constant sets the level of digital filtering according to the following chart.

I/O Map Tab

The I/O Map describes which I/O registers are assigned to a specific SmartStack™ Module and where the module is located in the point map. The I/O Map is determined by the model number and location within the SmartStack™. The I/O Map is not edited by the user.



Digital Filtering. The illustration above demonstrates the effect of digital filtering (set with Filter Constant) on module response to a temperature change.

5 ANALOG INPUT and OUTPUT CONVERSION FACTORS

5.1 Input Conversion Factor

The following table describes how real-world inputs are scaled into the controller. Given a known input current, the data value is configured by using the conversion factor from the table. The following formula is used: **Data = Input Current (mA) / Conversion Factor**

Example: The user selects a current range of 0 to +20mA:

- 1) The known input current is 14mA.
- 2) Using the table, the conversion factor for the current range of 0 to +20mA is 0.000625.
- 3) To determine the data value, the formula is used:

$$\text{Data} = \text{Input Current (mA)} / \text{Conversion Factor}$$

$$22400 = 14\text{mA} / 0.000625$$

Conversion of Real-World Inputs into Controller			
Selected Current Range	Input Current (mA)	Data	Conversion Factor
0 to +20mA	+20.47	32752	0.000625
	+20.00	32000	
	0	0	

5.2 Output Conversion Factor

The following table describes how program data values are scaled to real-world analog voltage outputs by the module. Given a desired output current, the data value is converted by using the conversion factor from the table. The following formula is used: **Data = Output Current (mA) / Conversion Factor**

Example: The user selects a current range of +20mA:

- 1) The desired output current is 12mA.
- 2) Using the table, the conversion factor for the current range of +20 mA is 0.000625.
- 3) To determine the data value, the formula is used:

$$\text{Data} = \text{Output Current (mA)} / \text{Conversion Factor}$$

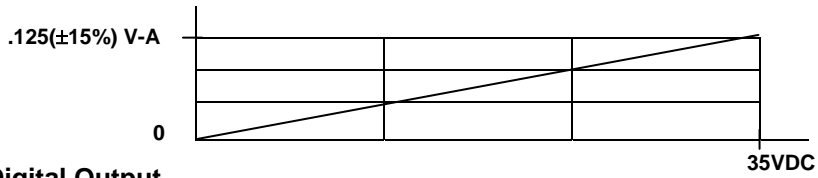
$$19200 = 12\text{mA} / 0.000625$$

Conversion of Real-World Outputs into Controller			
Selected Current Range	Output Current (mA)	Data	Conversion Factor
0 to +20mA	+20.47	32752	0.000625
	+20.00	32000	
	0	0	

6 INPUT / OUTPUT CHARACTERISTICS

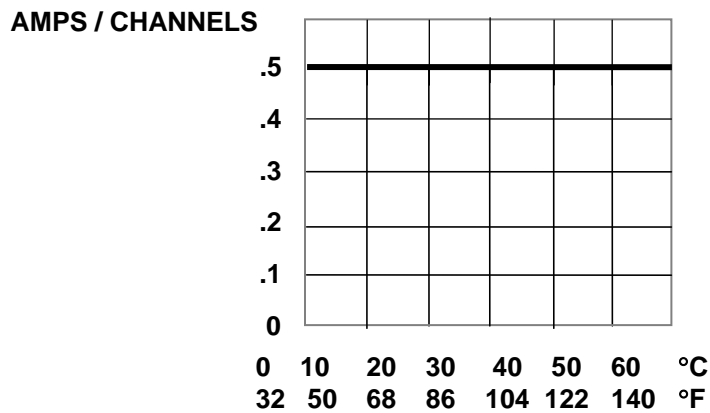
6.1 Digital Input

Digital Input Chart

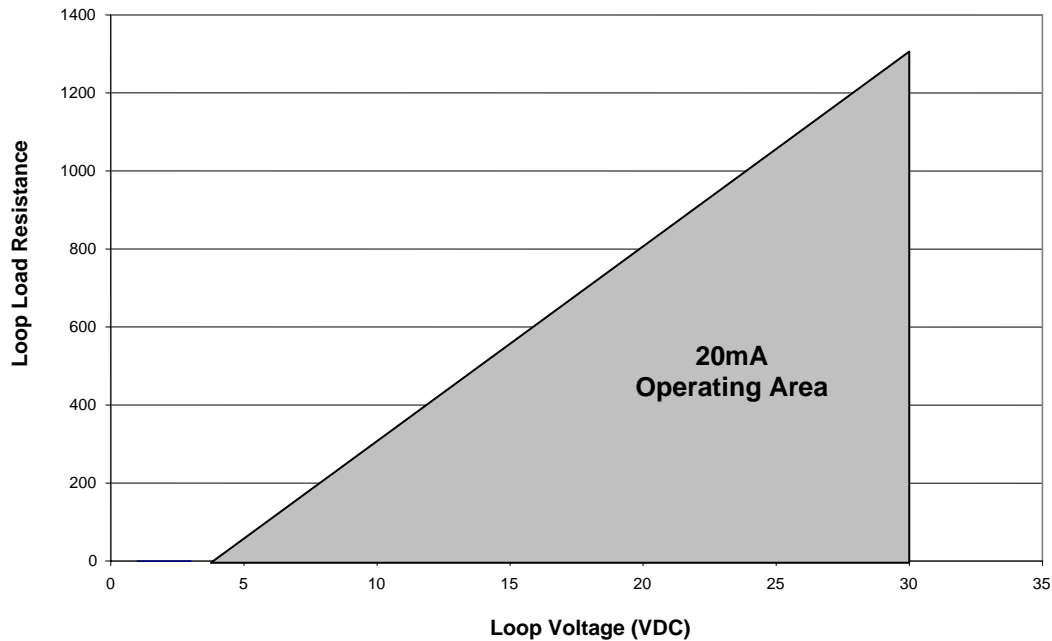


6.2 Digital Output

Derating Output Chart



6.3 Operating Area



7 INSTALLATION / SAFETY

Warning: Remove power from the OCS controller, CAN port, and any peripheral equipment connected to this local system before adding or replacing this or any module.

- a) Shielded, twisted-pair wiring should be used for best performance (Analog I/O).
- b) Shields may be terminated at the module terminal strip.
- c) In severe applications, shields should be tied directly to the ground block within the panel.
- d) Use the following wire type or equivalent: Belden 8917, 16 AWG or larger for digital I/O; Belden 8441 for Analog I/O.

For detailed installation and a handy checklist that covers panel box layout requirements and minimum clearances, refer to the hardware manual of the controller you are using. (See the **Additional References** section in this document.)

When found on the product, the following symbols specify:



Warning: Consult user documentation.



Warning: Electrical Shock Hazard.

WARNING: To avoid the risk of electric shock or burns, always connect the safety (or earth) ground before making any other connections.

WARNING: To reduce the risk of fire, electrical shock, or physical injury it is strongly recommended to fuse the voltage measurement inputs. Be sure to locate fuses as close to the source as possible.

WARNING: Replace fuse with the same type and rating to provide protection against risk of fire and shock hazards.

WARNING: In the event of repeated failure, do not replace the fuse again as a repeated failure indicates a defective condition that will not clear by replacing the fuse.

WARNING: Only qualified electrical personnel familiar with the construction and operation of this equipment and the hazards involved should install, adjust, operate, or service this equipment. Read and understand this manual and other applicable manuals in their entirety before proceeding. Failure to observe this precaution could result in severe bodily injury or loss of life.

For detailed installation and a handy checklist that covers panel box layout requirements and minimum clearances, refer to the hardware manual of the controller you are using. (See the **Additional References** section in this document.)

- All applicable codes and standards need to be followed in the installation of this product.
- For I/O wiring (discrete), use the following wire type or equivalent: Belden 9918, 18 AWG or larger.

Adhere to the following safety precautions whenever any type of connection is made to the module.

- Connect the green safety (earth) ground first before making any other connections.
- When connecting to electric circuits or pulse-initiating equipment, open their related breakers. Do not make connections to live power lines.
- Make connections to the module first; then connect to the circuit to be monitored.
- Route power wires in a safe manner in accordance with good practice and local codes.
- Wear proper personal protective equipment including safety glasses and insulated gloves when making connections to power circuits.
- Ensure hands, shoes, and floor are dry before making any connection to a power line.
- Make sure the unit is turned OFF before making connection to terminals. Make sure all circuits are de-energized before making connections.
- Before each use, inspect all cables for breaks or cracks in the insulation. Replace immediately if defective.

8 ADDITIONAL REFERENCES

The following information serves as a *general* listing of Horner controller products and other references of interest and their corresponding manual numbers. Visit our website listed in the **Technical Support** section to obtain user documentation and updates.

Note: This list is <u>not</u> intended for users to determine which products are appropriate for their application; controller products differ in the features that they support. If assistance is required, see the Technical Support section in this document.	
Controller	Manual Number
XLE Series (e.g., HE-XExxx)	MAN0805
QX Series (e.g., HE-QXxxx)	MAN0798
NX Series (e.g., HE-NXxxx)	MAN0781
LX Series (e.g., LX-xxx; also covers RCS116)	MAN0755
Color Touch OCS (e.g., OCSxxx)	MAN0465
OCS (Operator Control Station) (e.g., OCS1xx / 2xx; Graphic OCS250)	MAN0227
Remote Control Station (e.g., RCS2x0)	
MiniOCS (e.g., HE500OCSxxx, HE500RCSxxx)	MAN0305
Other Useful References	
CAN Networks	MAN0799
Cscape Programming and Reference	MAN0313
Wiring Accessories and Spare Parts Manual	MAN0347
DeviceNet™ Implementation	SUP0326
Wiring Accessories and Spare Parts Manual	MAN0347

9 TECHNICAL SUPPORT

For assistance and manual up-dates, contact Technical Support at the following locations:

North America:
(317) 916-4274
www.heapg.com

Europe:
(+) 353-21-4321-266
www.horner-apg.com