



High Speed Counter
HE500OCS034 / HE500OCS064
HE500RCS064

MINI OCS/RCS

**High Speed Counter Inputs
Sinking Pulse Outputs**

This product also has a detailed supplement (SUP0265) available.

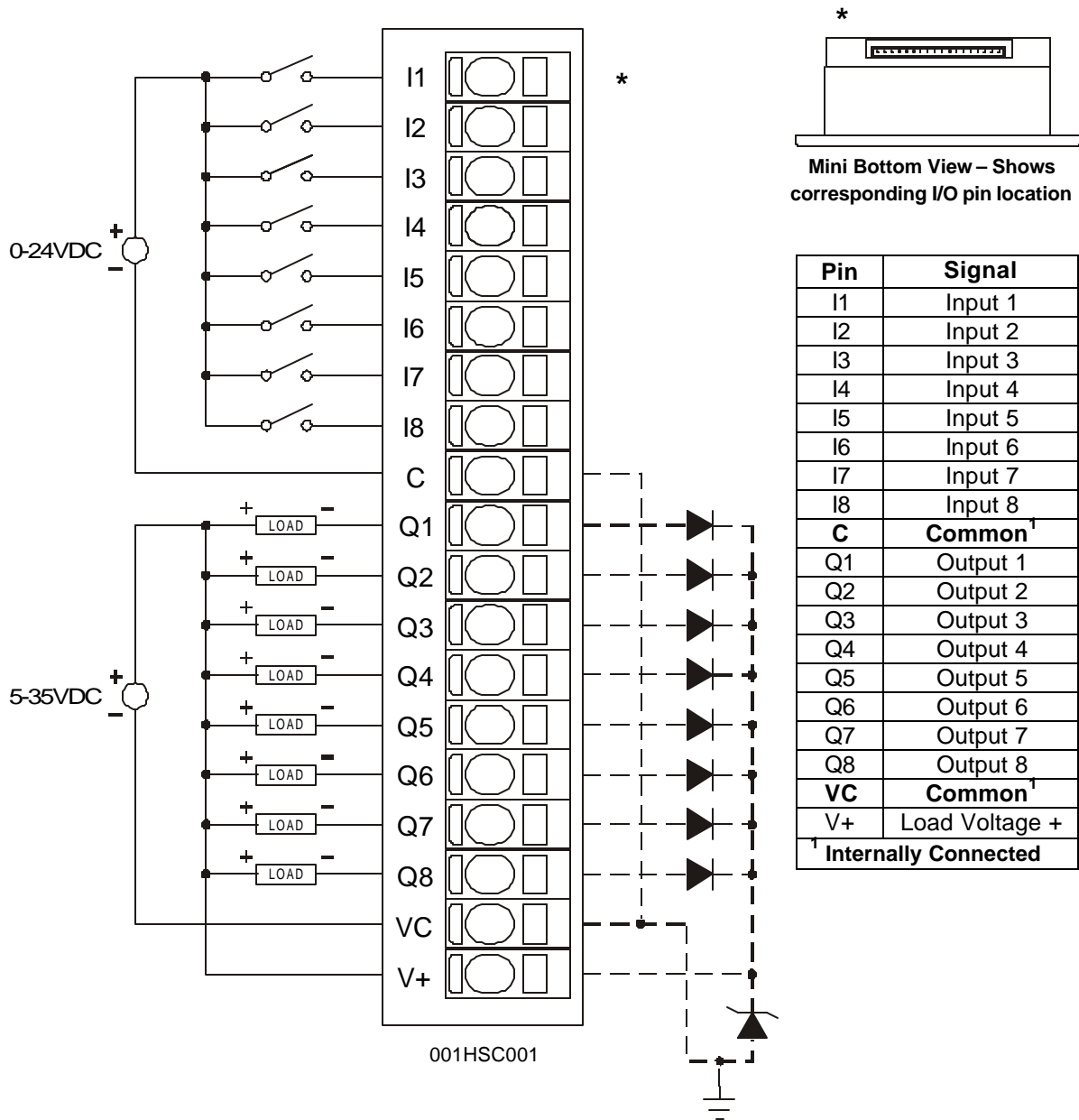
1 SPECIFICATIONS

INPUT						
Inputs per Module	8				Commons per Module	1
Programmable Input Voltage Ranges	Zero Crossing	TTL / 5 VDC	12 VDC	24 VDC	Input Type	Positive Logic
	ON Voltage Level	+ 0.1	+ 2	+ 8	Peak Voltage	35VDC Max.
OFF Voltage Level	- 0.1	+ 0.8	+ 4	+ 8	Input Impedance	10K Ohms
					Input Filter	500KHz, 50KHz, 5KHz

OUTPUT			
Outputs per Module	8	Output Protection	Short Circuit
Commons per Module	1	Maximum Leakage Current	100µA
Operating Voltage	5 - 35VDC	Maximum Inrush Current	600mA. per channel
Output Type	Sinking / 10K Pull-Up Negative Logic	Minimum Load	None
Peak Voltage	35VDC Max.	OFF to ON Response	0.3µS.
Output Characteristics	Current Sinking	ON to OFF Response	2µS.
ON Voltage Level	1.5VDC Max. @ 500mA 0.7 VDC Max. @ 250mA	Maximum Load Current per Output	0.5A

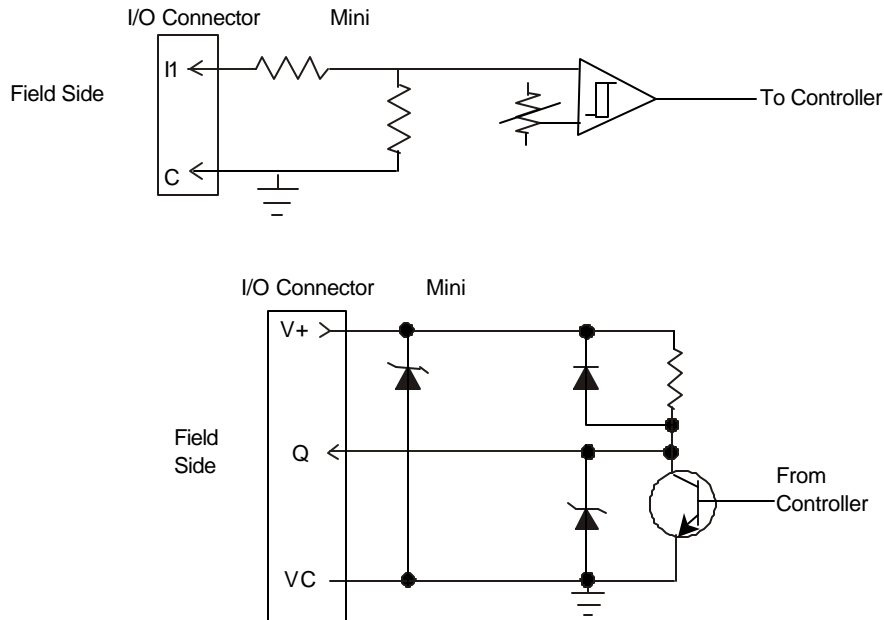
General Specifications			
Required Power (Steady State)	4.8W (200mA @ 24VDC)	Operating Temperature	0° to 50° Celsius
Required Power (Inrush)	900mA max. @ 24VDC for 1ms.	Terminal Type	Spring Clamp, Removable
Relative Humidity	5 to 95% Non-condensing	Weight	9.5 oz. (270 g)
CE	See Compliance Table at http://www.heapg.com/Support/compliance.htm		
UL	Operating Temperature Code T4A; See Compliance Table at http://www.heapg.com/Support/compliance.htm		

2 WIRING



Warning: Wiring the positive side of the DC source to loads connected to outputs 1 through 8 and the negative side of the DC source to the output common(s) would create a Negative Logic condition, which may be considered an unsafe practice under CE directives.

3 INTERNAL CIRCUIT SCHEMATIC



Specification for transient voltage suppressors (transorbs) used on output circuitry is 36VDC, 300 watts.

4 CONFIGURATION AND MODES

Note: The status of the I/O can be monitored in Cscape Software.

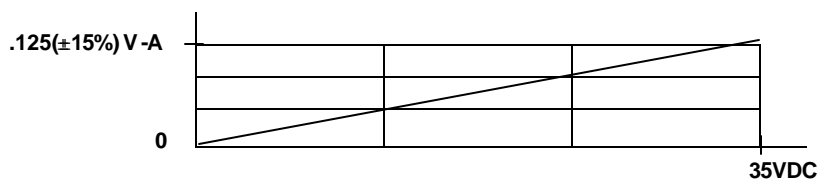
1. Preliminary Configuration procedures that are applicable to **all** Mini OCS Modules are located in the Mini Hardware Manual (MAN0305.)

There are two screen tabs for this model – the **I/O Map** tab and the **Module Setup** tab. The I/O Map is not edited by the user. The I/O Map describes which I/O registers are assigned to a specific Mini OCS model. The I/O Map is determined by the model number.

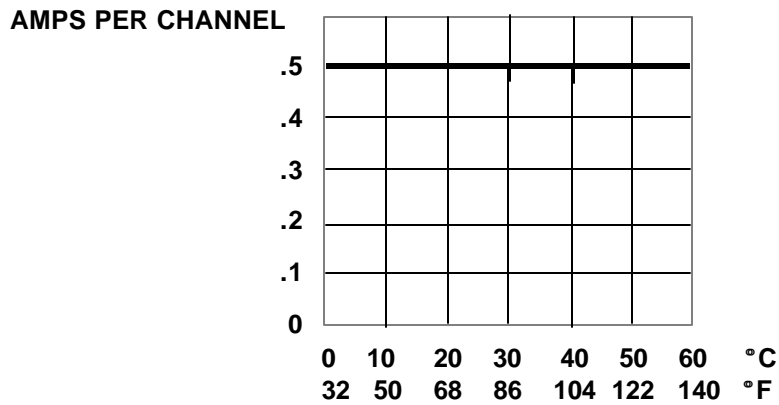
2. Consult the **SmartStack High Speed Counter Manual** (SUP0265) to continue the rest of the configuration process after pressing the **Module Setup** tab and selecting an option.

5 INPUT / OUTPUT CHARACTERISTICS

Digital Input Chart



Derating Chart



6 INSTALLATION / SAFETY

- All applicable codes and standards are to be followed in the installation of this product.
- Use the following wire type or equivalent: Belden 8917, 16 AWG or larger.

For detailed installation information, refer to Mini Hardware Manual. A handy checklist is provided that covers panel box layout requirements and minimum clearances.

7 TECHNICAL ASSISTANCE

For assistance, contact Technical Support at the following locations. Please visit our website for manual updates.

North America:
(317) 916-4274
www.heapg.com

Europe:
(+) 353-21-4321-266
www.horner-apg.com