



## DC Power Supplies

HE800PWR024 – 1.3A @ 24VDC

HE800PWR055 – 2.1A @ 24VDC

HE800PWR240 – 10A @ 24VDC

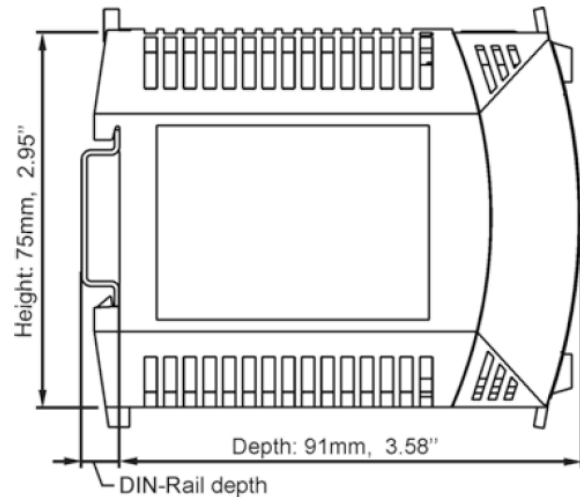
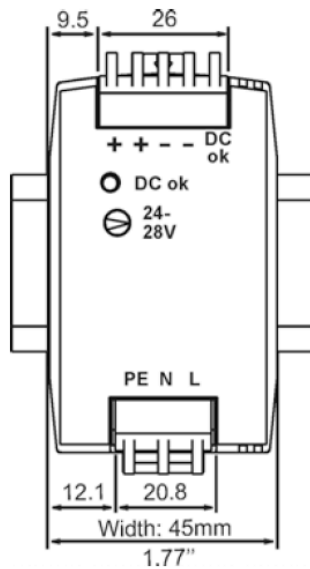
Horner APG has partnered with Puls to offer a selection of DIN-rail mountable, 24vdc Power supplies. These DC power supplies are available in three sizes (24W, 50W, and 240W), and all feature a wide-range input. These power supplies offer CE & UL listings, making them suitable for a wide variety of applications.

Note: These power supplies were updated in November 2010. Previous models offered are covered in publication MAN0788-01.

### 1 SPECIFICATIONS

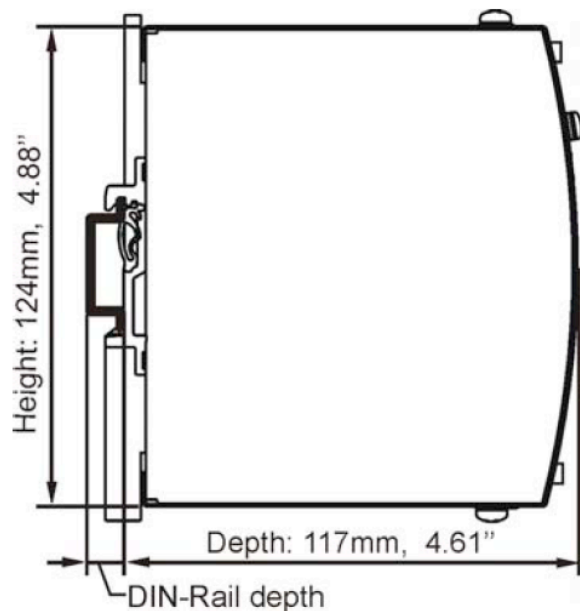
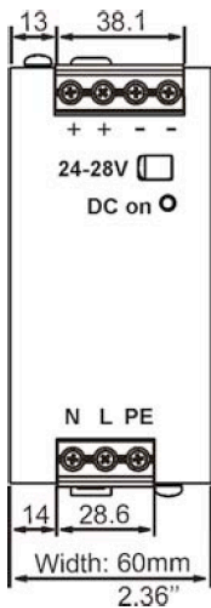
Technical Information	HE800PWR024	HE800PWR055	HE800PWR240
Power Supply Type	Switching		
Input Voltage (AC)	100-240Vac		
Input Voltage (DC)	85-375Vdc		Not Allowed
Output Voltage	24-28Vdc		
Output Current Rating @ 24Vdc	1.3A	2.1A	10A
Mounting Rail Type	35mm DIN-rail		
Input Current @ 120Vac	<0.6A @ 30W out	<0.77A @ 50W out	<3.73A @ 240W out
Input Current @ 230Vac	<0.35A @ 30W out	<0.44A @ 50W out	<2.23 @ 240W out
Frequency	50/60 Hz		
Efficiency (typical)	87.5%	88.4%	91%
Maximum Ripple	<50mVpp		
Status Indicator	Power ON (green)	Power OK (green)	Power ON (green)
Safe Overload Behavior	Up to 1.5A @ 24Vdc output & <60°C	Up to 2.5A at 24Vdc output & <60°C	Up to 14A at 24Vdc output & <60°C
Wire Size	28-12 AWG	26-12 AWG	20-10 AWG
Mechanical Dimensions (WxHxD) inches	1.77" x 2.95" x 3.58"		2.36" x 4.88" x 4.61"
Mechanical Dimensions (WxHxD) millimeters	45mm x 75mm x 91mm		60mm x 124mm x 117mm
Recommended Clearances (mm)	25mm top & bottom		40mm top
			20mm bottom
			5mm sides
Weight	0.51lb (230g)	0.53lb (240g)	1.54lb (700g)
CE compliant (EMC, LVD)	Yes	Yes	Yes
NEC Class 2 Compliant	Yes	Yes	No
UL 508 Listed	Yes	Yes	Yes
UL Class I, Div 2 Listed	Yes	Yes	No
US & Canadian Listings	Yes	Yes	Yes

## 2 DIMENSIONS



Front and Side Views – HE800PWR024 & HE800PWR055

Note: Power OK Terminal only present on HE800PWR055. Terminal is a No Connect for HE800PWR024



Front and Side Views – HE800PWR240

## 3 TECHNICAL SUPPORT

For assistance and manual up-dates, contact Technical Support at the following locations:

**North America:**  
 (317) 916-4274  
[www.heapg.com](http://www.heapg.com)

**Europe:**  
 (+) 353-21-4321-266  
[www.horner-apg.com](http://www.horner-apg.com)