

SmartMon Energy Family CTs



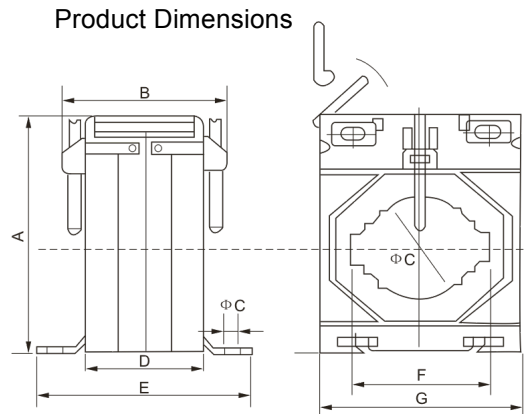
SmartMon Energy Family CTs
Current Transformers



Horner APG offers Current Transformers compatible with the SmartMon Energy Family.

1 STANDARD CURRENT TRANSFORMERS

SPECIFICATION	RATING			
Primary Current	50A-3000A (see table)			
Secondary Current	5A			
Standard Approval	VDE0414, BS7626, IEC44-1			
Maximum Voltage	3kV			
Frequency	50-60Hz			
Rated Load	2VA to 30VA (see chart)			
Class	1.0			
% Rated Load	5%	20%	100%	120%
Error	3%	3%	1%	1%
Phase Shift	3.1°	1.5°	1.2°	1.2°



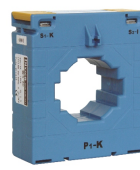
CT1



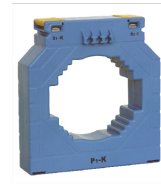
CT2



CT3



CT4



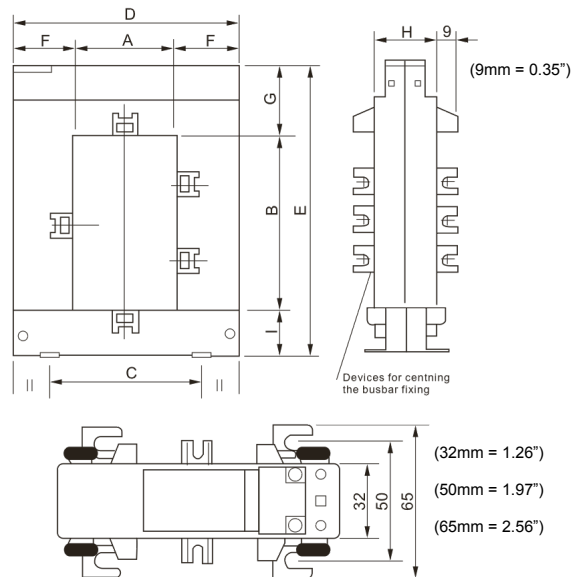
CT5

Part #	Frame	Rated Current (A)	Rated Power (VA)	Dimensions mm (inches)						
				A	B	C	D	E	F	G
CT1505	CT1	50	2	81 (3.19)	47 (1.85)	20 (0.79)	35 (1.38)	71 (2.80)	20 (0.79)	62 (2.44)
CT1605		60	2							
CT1755		75	3							
CT11005		100	3.75							
CT21005	CT2	100	2	81 (3.19)	47 (1.85)	30 (1.18)	35 (1.38)	71 (2.80)	41 (1.61)	62 (2.44)
CT21505		150	2.5							
CT22005		200	5							
CT31505	CT3	150	5	88 (3.46)	52 (2.05)	30 (1.18)	41 (1.61)	77 (3.03)	41 (1.61)	80 (3.15)
CT32005		200	5							
CT33005		300	15							
CT46005	CT4	600	20	117 (4.61)	57 (2.24)	50 (1.97)	184 (7.24)	77 (3.03)	61 (2.40)	101 (3.98)
CT48005		800	20							
CT410005		1000	20							
CT510005	CT5	1000	30	115 (4.53)	53 (2.09)	86 (3.39)	38 (1.50)	74 (2.91)	101 (3.98)	145 (5.71)
CT515005		1500	30							
CT520005		2000	30							
CT530005		3000	30							

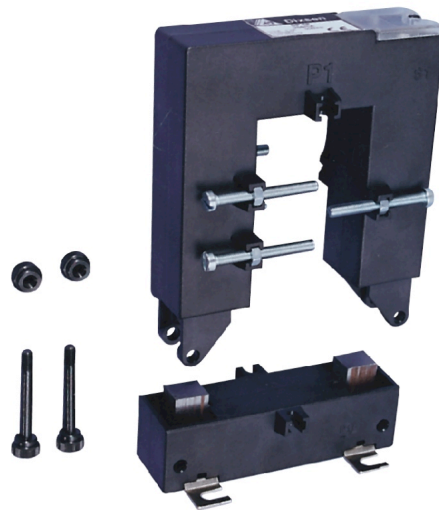
2 SPLIT-CORE CURRENT TRANSFORMERS

SPECIFICATION	RATING			
Primary Current	250A-5000A (see table)			
Secondary Current	5A			
Standard Approval	VDE0414, BS7626, IEC44-1			
Maximum Voltage	3kV			
Frequency	50-60Hz			
Rated Load	2VA to 30VA (see chart)			
Class	1.0			
% Rated Load	5%	20%	100%	120%
Error	3%	3%	1%	1%
Phase Shift	3.1°	1.5°	1.2°	1.2°

Product Dimensions



Part #	Rated Current (A)	Rated Power (VA)	Dimensions mm (inches)								
			A	B	C	D	E	F	G	H	I
CTD2505	250	2	50	80	78	114	145	32	32	32	33
CTD5005	500	5	(1.97)	(3.15)	(3.07)	(4.49)	(5.71)	(1.26)	(1.26)	(1.26)	(1.30)
CTE10C5	1000	20	80	120	108	144	185	32	32	32	33
CTE15C5	1500	25	(3.15)	(4.72)	(4.25)	(4.49)	(7.28)	(1.26)	(1.26)	(1.26)	(1.30)
CTF20C5	2000	25	80	120	120	184	245	52	47	52	38
CTF30C5	3000	30									
CTF40C5	4000	30									
CTF50C5	5000	30									



Split-core Current Transformer

3 INSTALLATION / SAFETY

Warning: DO NOT open the secondary circuit of a live Current Transformer (CT). The high voltage produced may be lethal. Failure to observe this precaution could result in severe bodily injury or loss of life

When found on the product, the following symbols specify:



Warning: Consult user documentation.



Warning: Electrical Shock Hazard.

WARNING: Only qualified electrical personnel familiar with the construction and operation of this equipment and the hazards involved should install, adjust, operate, or service this equipment. Read and understand this manual and other applicable manuals in their entirety before proceeding. Failure to observe this precaution could result in severe bodily injury or loss of life.

4 TECHNICAL SUPPORT

For assistance and manual up-dates, contact Technical Support at the following locations:

North America:+

(317) 916-4274

www.heapg.com

Europe:

(+) 353-21-4321-266

www.horner-apg.com

NOTES