

# RCC1410 DATASHEET

## 14 Digital Inputs, 10 Digital Outputs



### 1 TECHNICAL SPECIFICATIONS

#### 1.1 General

Required Pwr. (steady state)	120mA at 24VDC
Required Pwr. (inrush)	25A for 1 ms at 24VDC switched
Primary Pwr. Range	10-30VDC
Real-Time Clock	Yes
Clock Accuracy	+/- 8 seconds/month at 25°C
Relative Humidity	5-95% non-condensing
Operating Temp.	-10°C to +60°C
Storage Temp.	-10°C to +60°C
Altitude	Up to 2000m
Battery	Li-Ion Polymer Battery Charging Range 0-50°C
Weight	10 oz / 283.5 g
Mounting	35 mm DIN Rail or Panel Surface
Housing Type	Plastic (UL 50 rated, flame retardant, UV resistant)
Certifications (CE)	USA: <a href="https://hornerautomation.com/certifications">https://hornerautomation.com/certifications</a> Europe: <a href="https://www.horner-automation.eu/support/certifications-2">https://www.horner-automation.eu/support/certifications-2</a>

#### 1.2 Control & Logic

Control Lang. Support	Advanced Ladder Logic Full IEC 61131-3 Languages
Logic Size & Scan Rate	2 MB, 0.04ms/kB
Online Programming Changes	Yes
PID Support	Up to 6
Digital Inputs (%I)	2048
Digital Outputs (%Q)	2048
Analog Inputs (%AI)	512
Analog Outputs (%AQ)	512
Gen. Purpose 16-bit Registers (%R)	4096 Retentive
Gen. Purpose 1-bit Registers (%T)	2048 Non-Retentive
Gen. Purpose 1-bit Registers (%M)	2048 Retentive

#### 1.3 Digital DC Inputs

Inputs per Module	14	
Commons per Module	1	
Addressing	%I1 - %I14	
Input Voltage Range	0-30VDC	
Max Digital Output	30VDC @0.5A	
Input Impedance	10kΩ	
Input Current	Pos. Logic	Neg. Logic
Min. "On" Current	0.8mA	-1.6mA
Max. "Off" Current	0.3mA	-2.1mA
Min. "On" Input	8VDC	
Max. "Off" Input	3VDC	
OFF to ON Response	100µs min*	
ON to OFF Response	100µs min*	
Galvanic Isolation	None	
Logic Polarity	Pos. or Neg. Based on configuration	
I/O Indication	LED	
High Speed Counter (HSC)	None	
Connector Type	5.08mm & 3.5mm Pluggable Cage Clamp	

#### 1.4 Connectivity

Serial	2 (1xRS232, 1x2-wire RS485)
CAN	1 x 125kbps - 1Mbps
Ethernet	1 x 10Mbps/100Mbps
microSD	1 x SD, SDHC, SDXC in FAT32 format
USB	No
Communication Support	WebMI Outgoing Email with Attachments TCP/IP and Modbus TCP/IP FTP Data Logging

#### 1.5 Digital DC Outputs

Outputs per Module	10
Commons per Module	1
Addressing	%Q1 - %Q10
Output Type	Sourcing
Output Voltage Range	10-30VDC
Absolute Max. Voltage	30VDC @ 0.5A
Output Protection	Short Circuit & Overvoltage
Max. Output Current per Point	0.5A
Max. Total Current	2A Total Current
Max. Voltage Drop at Rated Current	0.25VDC
Min. Load	None
I/O Indication	LED
Galvanic Isolation	None
OFF to ON Response	500ns min*
ON to OFF Response	500ns min*
PWM Out	None
Output Characteristics	Current Sourcing (Pos. Logic)

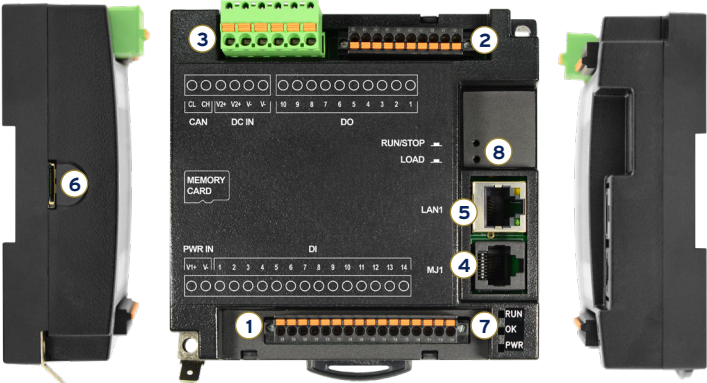
#### RCC Series User Manual [MAN1078]

The User Manual includes extensive information on:

- Installation
- Communications
- Configuration
- Resource Limits

## 2 CONTROLLER OVERVIEW

### 2.1 - Port Connectors

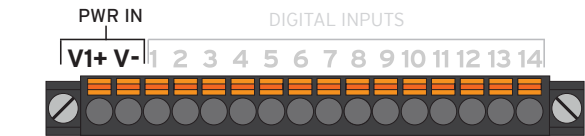


- 1. Power & Input Connector
- 2. Output Connector
- 3. CAN Port & External Power
- 4. Serial Port
- 5. Ethernet Port
- 6. microSD Slot
- 7. Status LEDs
- 8. Buttons

### 2.2 - Power Wiring

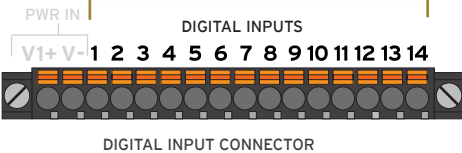
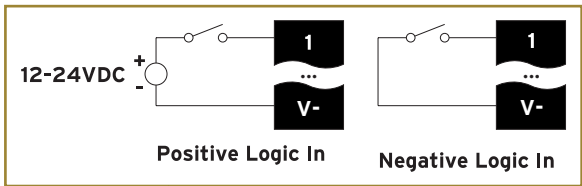
To power up the RCC1410, supply 10-30VDC to the V1+ and V- connections on the Power & Input connector.

OPTION: Attach ferrite core [see Accessory section] with a minimum of two turns of the DC+ and DC- signals from the DC supply that is powering the controllers.



## 3 WIRING: INPUTS & OUTPUTS

### 3.1 - Digital Input Wiring

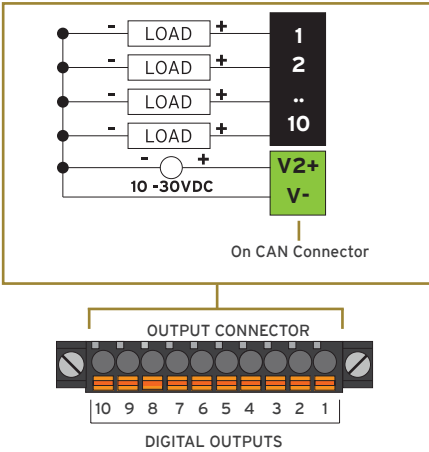


**POSITIVE LOGIC vs. NEGATIVE LOGIC WIRING:**  
The RCC can be wired for Positive Logic inputs or Negative Logic inputs.

Digital inputs may be wired in either a Positive Logic or Negative Logic fashion as shown. The setting in the Cscape Hardware Configuration for the Digital Inputs must match the wiring used in order for the correct input states to be registered. The state of the input is reflected in registers %I1 - %I14.

## wiring: I/O continued...

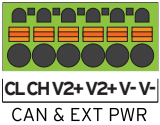
### 3.2 - Digital Output Wiring



Digital outputs are Positive Logic. If an output is turned on, the voltage supplied at the V2+ terminal is applied to that output. The state of the outputs is controlled using the registers %Q1 - %Q10.

## 4 COMMUNICATIONS

### 4.1 - CAN Communications



The CAN port is provided via three connections on the CAN Port & External Power connector: CAN Low (CL), CAN High (CH), and V-. It may be used to communicate with the other OCS products using Horner's CsCAN protocol. Additionally, remote expansion I/O, such as SmartRail, SmartBlock, and SmartStix may be implemented using the CsCAN protocol. If CsCAN expansion I/O is to be used, a 24VDC power source will be required on the CsCAN bus in order to power the expansion I/O modules. This connector also houses the connections for Digital Output source power.

### 4.2 - microSD Slot

A microSD card may be used for data and alarm logging, historic trending, program loading, firmware updates, and many other features. Supported types of MicroSD cards are SD, SDHC, and SDXC as long as the format of the card file system is FAT32.

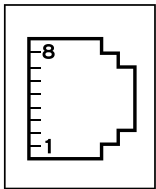
**Wiring Specifications**

- **For Module Power and I/O Wiring** use the following wire type or equivalent: Belden 9918, 18AWG (0.8mm<sup>2</sup>) or larger.
- **For CAN wiring**, use the following wire type or equivalent: Belden 3084, 24 AWG (0.2mm<sup>2</sup>) or larger.
- **Torque, Terminal Hold-Down Screws:** 4.5-7 in-lbs (0.50 - 7.8N-m)

communications continued on next page...

## communications continued...

### 4.3 - Serial Communications



MJ1/2 SERIAL PORTS

**MJ1:** RS-232 w/full handshaking

**MJ2:** RS-485 half-duplex

Both serial ports are in one modular jack. To break pins out to terminals, use HE200MJ2TRM accessory

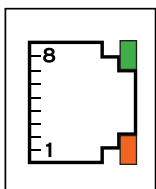
1.8 MJ1 PINS			MJ2 PINS	
PIN	SIGNAL	DIRECTION	SIGNAL	DIRECTION
8	TXD	OUT	-	-
7	RXD	IN	-	-
6	0 V	GROUND	0V	GROUND
5	+5V @ 60mA	OUT	+5V @ 60mA	OUT
4	RTS	OUT	-	-
3	CTS	IN	-	-
2	-	-	RX-/TX-	IN/OUT
1	-	-	RX+/TX+	IN/OUT

Two serial ports are provided via the single 8-position modular jack labeled "MJ1", which houses both the MJ1 and MJ2 serial ports. MJ1 defaults to one of several methods available to program the controller. It may instead be specified for RS-232 communications, such as for Modbus Master/Slave, or to communicate to devices such as bar code scanners.

MJ2 may only be used as half-duplex (2-wire) RS-485. The most common use is for Modbus communications, either as a Modbus Master or Modbus Slave, though other options are also available.

Attach optional ferrite core with a minimum of two turns of serial cable. See Accessories for more details.

### 4.4 - Ethernet Communications



Link Indicator

Activity Indicator

A 10/100 Ethernet port with automatic MDI-X (crossover detection) is provided via the single 8-position modular jack labeled "LAN1". Several features are available for use over Ethernet, such as WebMI, Modbus TCP/IP, Ethernet/IP, SMTP (E-mail), expansion I/O to SmartRail, and more. Ethernet configuration is done via the Cscape Hardware Configuration. For more information on Ethernet, available features and protocols, refer to the Ethernet Supplement document (SUP0740).

### 4.5 - Status LEDs

Three LEDs provide general status of the RCC:

LED - Normal Functionality			
LED TYPE	WHEN OFF	WHEN ON	WHEN FLASHING (1Hz)
PWR	No power applied	10-30VDC applied	N/A
OK	Self-test fail	Self-test pass	I/O forcing enabled
RUN	Stop mode	Run mode	Do I/O Mode

#### LED - DIAGNOSTIC FUNCTIONALITY



When the OK and RUN are flashing alternately, a download is in progress. When the flashing stops, the download is complete and the unit reboots (allow 30 seconds). When flashing together, the download has failed, and the number of flashes indicates the error. There will be a two second gap and the pattern will be repeated. The number of flashes and the associated error are as follows:

- **2 Flashes** - The MAC ID is empty.
- **3 Flashes** - The internal MAC file is corrupt.
- **4 Flashes** - The MAC ID TXT file is invalid.
- **5 Flashes** - The MAC ID file is not found or the microSD card is empty or missing system files.



### 4.6 - Buttons

Two recessed buttons provide control of several RCC modes. A paperclip may be used as the buttons are far enough recessed that a pen or pencil is not able to activate them.

#### LOAD SWITCH

- Pressing the LOAD switch during power-up boots from the microSD card. This starts a Firmware Load if the microSD is bootable and valid firmware files are found on it.
- After boot-up, pressing the LOAD switch for three (3) seconds will load an Application file stored on the microSD. The application file name must be DEFAULT.PGM. When loading an application file from microSD, there should not be firmware files present on the microSD card.

#### RUN/STOP SWITCH

- After boot-up, pressing the RUN/STOP switch for 3 seconds toggles the RCC between RUN and STOP modes.

#### ERASE PROGRAM FUNCTION

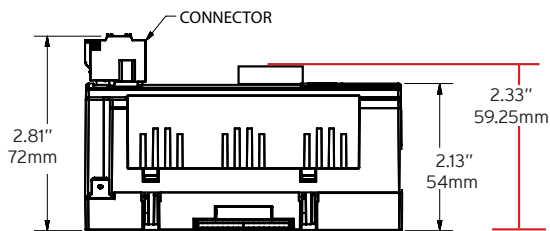
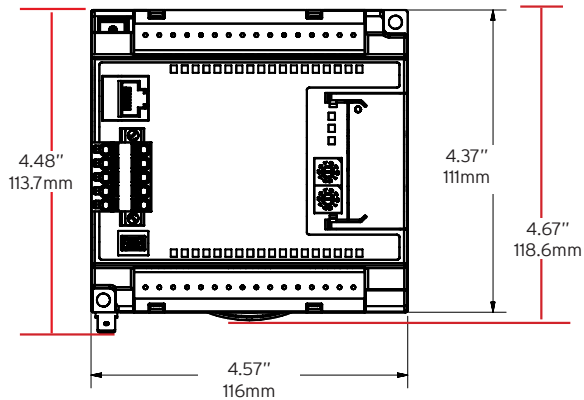
- After boot-up, pressing both Load and RUN/Stop switches for 3 seconds performs an "Erase All" function, which deletes all application programs.

## 5 BUILT-IN I/O

Digital I/O Functions	
Registers	Description
%I1 to %I14	Digital Inputs
%I15	Reserved
%I16	%Q Fault Status
%Q1 to %Q10	Digital Outputs

## 6 DIMENSIONS & INSTALLATION

### 6.1 Dimensions



**Clearance Requirements**  
 Top and Bottom: 1" or 25.4mm  
 Sides: 0.5" or 12.7mm

### 6.2 Installation Instructions

These RCC modules are suitable for use in the Class I, Division 2, Groups A, B, C and D Hazardous Locations only. The operating temperature range is -10°C to +60°C

**WARNING - EXPLOSION HAZARD - DO NOT DISCONNECT EQUIPMENT UNLESS POWER HAS BEEN SWITCHED OFF OR THE AREA IS KNOWN TO BE NON-HAZARDOUS.**

**ATTENTION - RISQUE D'EXPLOSION - NE DÉBRANCHEZ PAS L'ÉQUIPEMENT SAUF SI L'ALIMENTATION A ÉTÉ COUPÉE OU SI LA ZONE N'EST PAS DANGEREUSE.**

Devices shall be installed into an enclosure suitable for the environment that is only accessible with the use of a tool.

1. The RCC modules conveniently mount on a DIN rail.
2. Be sure the DIN rail is in a horizontal position before installing the unit.
3. The orientation shown to the right is necessary to prevent the unit from slipping off the DIN rail.
4. Align the unit on the DIN rail then push the DIN rail clip until it clicks into place. Check to ensure that the unit is secure on the DIN rail.
5. Do NOT mount the unit on its side as this may cause the unit from slipping off the DIN rail.

**NOTE:** The spade connector for grounding and the DIN rail clip add to the overall measurements. The CAN/PWR and LAN connectors also add to the measurements.

**NOTE:** Screw holes and a spade connector are available for a mounting option.

## 7 BATTERY MAINTENANCE

The RCC1410 has an advanced battery system that uses a rechargeable lithium battery. The battery powers the real time clock when power is removed, and it is needed for register data retention. Please reference the RCC Series User Manual [MAN1078] which provides instructions on how to replace the battery. **NOTE:** For detailed rechargeable battery information, refer to the Battery Manual [MAN1142].

## 8 SAFETY

### 8.1 - WARNINGS

1. To avoid the risk of electric shock or burns, always connect the safety (or earth) ground before making any other connections.
2. To reduce the risk of fire, electrical shock, or physical injury, it is strongly recommended to fuse the voltage measurement inputs. Be sure to locate fuses as close to the source as possible.
3. Replace fuse with the same type and rating to provide protection against risk of fire and shock hazards.
4. In the event of repeated failure, do NOT replace the fuse again as repeated failure indicates a defective condition that will NOT clear by replacing the fuse.
5. Only qualified electrical personnel familiar with the construction and operation of this equipment and the hazards involved should install, adjust, operate, or service this equipment. Read and understand this manual and other applicable manuals in their entirety before proceeding. Failure to observe this precaution could result in severe bodily injury or loss of life.

### 8.2 - FCC COMPLIANCE

This device complies with part 15 of the FCC Rules. Operation is subject to the following two conditions:

1. This device may not cause harmful interference
2. This device must accept any interference received, including interference that may cause undesired operation

### 8.3 - PRECAUTIONS

All applicable codes and standards need to be followed in the installation of this product. Adhere to the following safety precautions whenever any type of connection is made to the module:

1. Connect the safety (earth) ground on the power connector first before making any other connections.
2. When connecting to the electric circuits or pulse-initiating equipment, open their related breakers.
3. Do NOT make connection to live power lines.
4. Make connections to the module first; then connect to the circuit to be monitored.
5. Route power wires in a safe manner in accordance with good practice and local codes.
6. Wear proper personal protective equipment including safety glasses and insulated gloves when making connections to power circuits.
7. Ensure hands, shoes, and floor are dry before making any connection to a power line.
8. Make sure the unit is turned OFF before making connection to terminals.
9. Make sure all circuits are de-energized before making connections.
10. Before each use, inspect all cables for breaks or cracks in the insulation. Replace immediately if defective.
11. Use copper conductors in Field Wiring only, 60/75°C.
12. Use caution when connecting controllers to PCs via serial or USB. PCs, especially laptops, may use "floating power supplies; that are ungrounded. This could cause a damaging voltage potential between the laptop and controller. Ensure the controller and laptop are grounded for maximum protection. Consider using a USB isolator due to voltage potential differences as a preventative measure.

## 9 PART NUMBER

The global part number is **HE-RCC1410**.

## 10 TECHNICAL SUPPORT

For assistance and manual updates, contact Technical Support at the following locations:

#### North America

+1 (317) 916-4274  
 (877) 665-5666  
[www.hornerautomation.com](http://www.hornerautomation.com)  
 techspt@heapg.com

#### Europe

+353 (21) 4321-266  
[www.hornerautomation.eu](http://www.hornerautomation.eu)  
 technical.support@horner-apg.com