

THE INDUSTRY LEADER IN REMOTE I/O



GLOBAL HEADQUARTERS

59 S. State Ave.
Indianapolis, Indiana 46201
P 317-916-4274
F 317-639-4279
TF 877-665-5666
www.hornerautomation.com
sales@heapg.com

INTERNATIONAL OPERATIONS

HORNER EUROPE

Horner Ireland Limited, Unit 1
Centrepark, Centrepark Road
Cork, Ireland
P +353-21-4321266
F +353-21-4321826
info@horner-app.com
www.hornerautomation.eu

HORNER INDIA

Vaishnavi, No. 3, Domlur 2nd Stage
3rd Phase, Domlur Main Rd.
Bangalore 560071
Karnataka, India
P +91-80-41263460 / 61 / 62
F +91-80-41263464
info@hornerautomation.in

HORNER CANADA

916 42 Avenue SE #120
Calgary, Alberta T2G 1Z2
P (403) 444-0928
F (403) 265-0966
info@hornerautomation.com
www.hornerautomation.com

HORNER AUSTRALIA

Unit 15
104 Ferntree Gully Road
Oakleigh Victoria 3166
P 03 9544 0733
F 03 9544 0977
jim.callan@heapg.com



EXPAND I/O CAPACITY OF OCS ALL-IN-ONE CONTROLLERS

By using remote I/O, Horner controllers offer easier programming, installation, development and set-up. Our controllers have a small footprint and can easily retrofit into an existing system with little effort.

OCS I/O

The OCS I/O series features an impressive remote I/O system with support for both asynchronous and synchronous scan. This newest product line features a selection of I/O modules with easy installation and wiring using Horner's signature technology.

SMARTRAIL

SmartRail expands the I/O capacity of OCS all-in-one controllers. SmartRail uses either CANbus or Ethernet communications and can be installed locally or hundreds of meters away.

SMARTBLOCK

Using CsCAN communications, SmartBlock I/O provides easy configuration and network expansion. Designed to complement Horner SmartStix Digital I/O family, these two families can be used to expand the I/O capacity of any OCS.

SMARTSTIX

A cost-effective option as expansion or remote I/O and that is extremely compact and also uses CsCAN communications. The SmartStix offers easy configuration through rotary switches and Cscape programming software.

RCC6512

A versatile product for high-speed applications. The RCC6512 combines a control co-processor with high-speed digital and analog I/O with integrated networking.

ADD-ON I/O

Add-on I/O expands digital and analog outputs for OCS all-in-one controllers.

INDUSTRY LEADING ALL-IN-ONE CONTROLLER

Horner controllers provide the best all-in-one, affordable control solution for OEMs, integrators and end-users by combining robust, reliable control products with operator interface, I/O and networking into a single compact unit. The Horner controllers are designed to provide you with ease of use, cost savings and flexibility for your operation, no matter the application.

With proven success across a wide variety of applications, the XL series is ideal for:

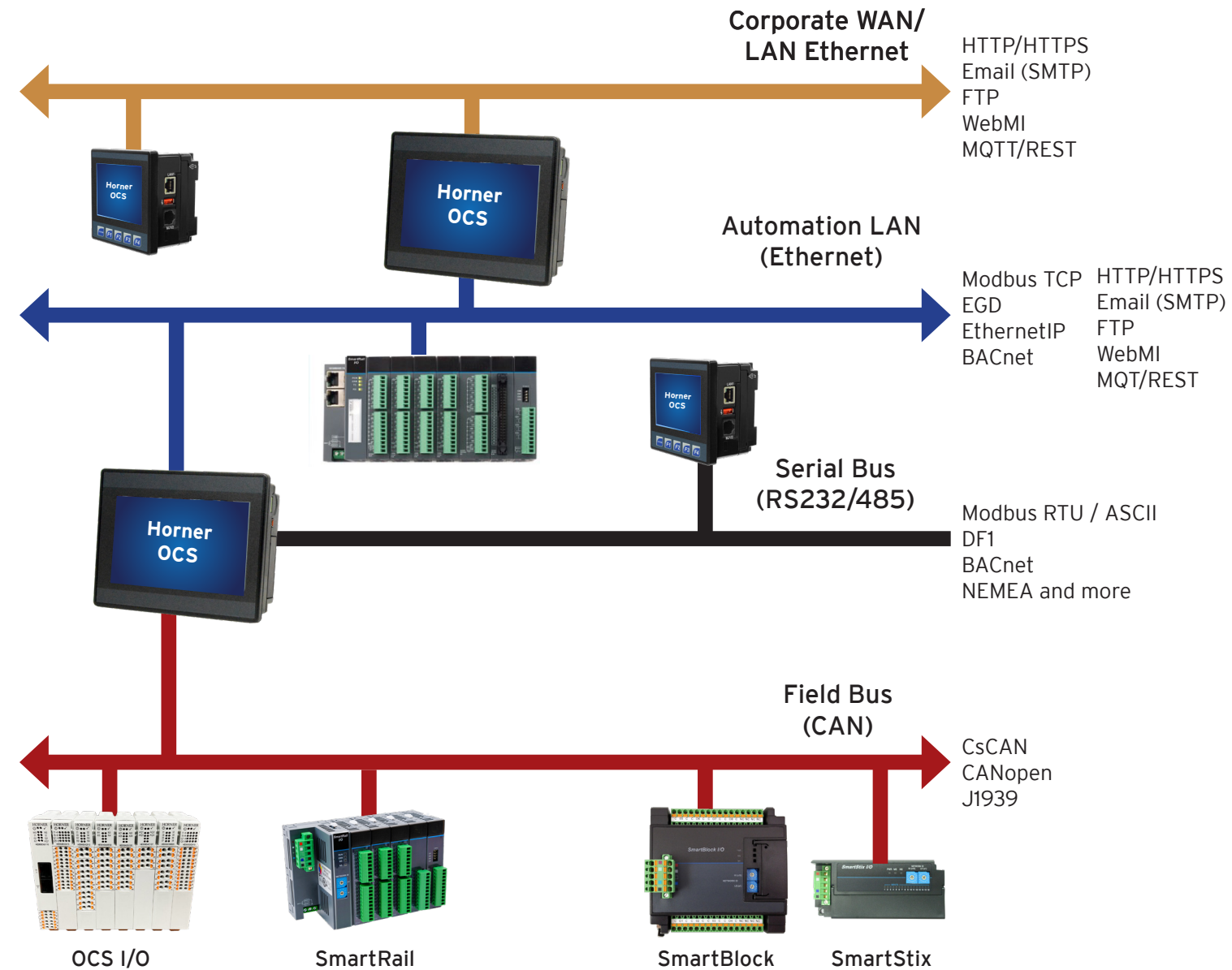
- Custom OEM products
- Power management & back-up generation
- Semiconductor applications
- Packaging machinery
- Water treatment
- Compressor control
- Pump control
- Food processing
- Motion control
- Distributed conveyor control
- HVAC/Environmental control
- Mobile machinery
- Automotive parts manufacturing

POWERFUL, SECURE CSCAPE PROGRAMMING SOFTWARE

Horner All-in-One controllers combine graphical ladder logic programming, operator interface development, I/O configuration and network configuration. The user friendly interface provides free form and drag & drop editor, as well as more than 100 functions to choose from.

From the Horner website, hornerautomation.com, download the Cscape software or software updates at no charge. This free service allows you to avoid costly licensing fees while always having the most up-to-date software version.

SUPPORTED PROTOCOLS



REMOTE I/O



I/O EXPANSION FOR ALL-IN-ONE CONTROLLERS

OCS I/O



HE959...

CNX116*	ADU100	DAC107	DIM620	DIQ512	DIQ616	DQM502
---------	--------	--------	--------	--------	--------	--------

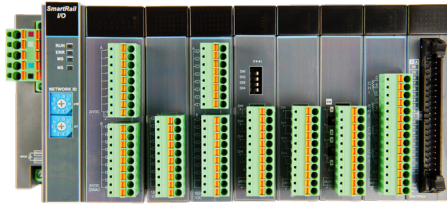
SmartRail Base



HE599...

CNX100	COS100	ETX200	ETX250
--------	--------	--------	--------

SmartRail Modules



HE599...

ADC170	DAC101	DAC106	DIM510	DIM610	DIQ512	DIM710	DQM502	DQM506	DQM602	DQM606	DQM706	MIX116	RTD100	THM100
--------	--------	--------	--------	--------	--------	--------	--------	--------	--------	--------	--------	--------	--------	--------

SmartBlock Modules



HE579... or HE569DQM...

ACM300	ACM302	ADC570	ADC970	BMS168	DAC107	DAC207	DIQ880	DIQ881	DQM204	DQM212	DQM205
--------	--------	--------	--------	--------	--------	--------	--------	--------	--------	--------	--------



HE579...

MIX102	MIX105	MIX577	MIX977	RTD100	RTD200	THM100	THM200
--------	--------	--------	--------	--------	--------	--------	--------

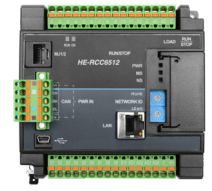
SmartStix Modules



HE559...

DIM610	DIM710	DIQ816	DQM602	DQM606	DQM706
--------	--------	--------	--------	--------	--------

RCC Co-processor



HE-RCC6512

RCC Co-Processor

HE-RCC6512

Add-on I/O



HE-XDAC007	HE-XDAC107	HE-XHSQ	HE-XHSQ-5
------------	------------	---------	-----------

Add-on I/O*

HE-XDAC007	HE-XDAC107	HE-XHSQ	HE-XHSQ-5
------------	------------	---------	-----------

REMOTE I/O FEATURES

Communication/ Networks	CsCAN	✓
	CANOpen	
	Ethernet IP	
	Modbus TCP	
Digital Inputs	Synchronous	✓
	12/24VDC Inputs (pos/neg)	0-2**
	5VDC Input Support	✓
	High-Speed Counter Support	
	Universal Analog/Digital Inputs	1
	120VAC Inputs (pos)	8
Digital Outputs	24VDC Outputs (pos)	2
	Relay Outputs	8
	SSR Outputs	4
	Max Current (A)	3
	High-Speed Output Support	5
Analog Inputs	Input Channels	1-3** 4
	Resolution (bits)	16
	0-10V Support	✓
	4-20mA Support	✓
	RTD Support	✓**
	Thermocouple Support	✓**
	mV Support	✓**
Analog Outputs	Output Channels	1
	Resolution (bits)	12
	0-10V Support	✓
	+/- 10V Support	✓
	4-20mA Support	✓
Power Monitoring	3-Phase 600VAC, 0-5A CTs	
	3-Phase 600VAC, Rogowski Coils	
	1-Phase 0-30 CT Interface	

** CNX116 has 2 flexible inputs that can be configured either as digital Inputs or as 12-bit mA/V analog inputs.

*CNX116 required

SmartRail Modules*

ADC170	DAC101	DAC106	DIM510	DIM610	DIQ512	DIM710	DQM502	DQM506	DQM602	DQM606	DQM706	MIX116	RTD100	THM100
--------	--------	--------	--------	--------	--------	--------	--------	--------	--------	--------	--------	--------	--------	--------

*SmartRail base required for SmartRail Modules

SmartBlock Modules

ACM300	ACM302	ADC570	ADC970	BMS168	DAC107	DAC207	DIQ880	DIQ881	DQM204	DQM212	DQM205
--------	--------	--------	--------	--------	--------	--------	--------	--------	--------	--------	--------

*XL OCS required