

AutomationDirect DirectNet Driver Help

© 2011 Kepware Technologies

Table of Contents

Table of Contents	2
AutomationDirect DirectNet Driver Help	4
Overview	4
Device Setup	5
Modem Setup	5
Tag Import Settings	5
205 - 305 Controller: RS232 to RJ-11	6
305 Controller: RS232 to DCU RS232	6
405 Controller: RS232 to DCM RS232	7
Automatic Tag Database Generation	8
Tag Hierarchy	8
Import File-to-Server Name Conversions	8
Importing DirectSoft Elements	8
Import Preparation: DirectSoft Steps	8
Import Preparation: OPC Server Steps	11
Data Types Description	13
Address Descriptions	14
DL-05 Addressing	14
DL-06 Addressing	15
DL-230 Addressing	16
DL-240 Addressing	17
DL-250(-1) Addressing	18
DL-260 Addressing	18
DL-330 Addressing	19
DL-340 Addressing	20
DL-350 Addressing	21
DL-430 Addressing	22
DL-440 Addressing	23
DL-450 Addressing	24
Error Descriptions	26
Address Validation	26
Missing address	26
Device address '<address>' contains a syntax error	26
Address '<address>' is out of range for the specified device or register	27
Device address '<address>' is not supported by model '<model name>'	27
Data Type '<type>' is not valid for device address '<address>'	27
Device address '<address>' is Read Only	27
Serial Communications	27
COMn does not exist	27

Error opening COMn.....	28
COMn is in use by another application.....	28
Unable to set comm parameters on COMn.....	28
Communications error on '<channel name>' [<error mask>].....	28
Device Status Messages.....	28
Device '<device name>' not responding.....	29
Unable to write to '<address>' on device '<device name>'.....	29
Device Specific Messages.....	29
Bad address in block [<start address> to <end address>] on device '<device name>'.....	29
Automatic Tag Database Generation Messages.....	29
Unable to generate a tag database for device <device name>.....	29
Unable to generate a tag database for device <device name>.....	30
Index.....	31

AutomationDirect DirectNet Driver Help

Help version 1.016

CONTENTS

[Overview](#)

What is the AutomationDirect DirectNet Driver?

[Device Setup](#)

How do I configure a device for use with this driver?

[Automatic Tag Database Generation](#)

How can I easily configure tags for the AutomationDirect DirectNet driver?

[Data Types Description](#)

What data types does this driver support?

[Address Descriptions](#)

How do I address a data location on an AutomationDirect DirectNet device?

[Error Descriptions](#)

What error messages does the AutomationDirect DirectNet driver produce?

Overview

The AutomationDirect DirectNet Driver provides an easy and reliable way to connect AutomationDirect DirectNet controllers to OPC Client applications, including HMI, SCADA, Historian, MES, ERP and countless custom applications. This driver is intended for use with Automation Direct Logic Programmable Logic Controllers, also known as PLCDirect and Koyo.

Device Setup

Supported Devices

The following PLCs are supported.

DL-05
DL-06
DL-230
DL-240
DL-250(-1)
DL-260
DL-330
DL-340
DL-350
DL-430
DL-440
DL-450

Communication Protocol

Koyo DirectNet Hex Mode Protocol

Supported Communication Parameters*

Baud Rate - 1200, 2400, 9600, 19200 or 38400
Parity - None, Even or Odd
Data Bits - 5, 6, 7 or 8
Stop Bits - 1 or 2

*Some of these configurations may not be supported by all devices.

Ethernet Encapsulation

This driver supports Ethernet Encapsulation, which allows the driver to communicate with serial devices attached to an Ethernet network using a terminal server. Ethernet Encapsulation mode may be invoked through the COM ID dialog in Channel Properties. For more information, refer to the OPC server's help documentation.

Device IDs

Up to 90 devices may be defined. Valid Device IDs range from 1 to 90.

Flow Control

When using an RS232/RS485 converter, the type of flow control that is required depends on the converter's needs. Some converters do not require any flow control and others require RTS flow. To determine the converter's flow requirements, refer to its documentation. An RS485 converter that provides automatic flow control is recommended.

Note: When using the manufacturer's supplied communications cable, it is sometimes necessary to choose a flow control setting of **RTS** or **RTS Always** under the Channel Properties.

Automatic Tag Database Generation

[Tag Import Settings](#)

Cable Connections

[205 - 305 Controller: RS232 to RJ-11](#)

[305 Controller: RS232 to DCU RS232](#)

[405 Controller: RS232 to DCM RS232](#)

Modem Setup

This driver supports modem functionality. For more information, please refer to the topic "Modem Support" in the OPC server Help documentation.

Tag Import Settings

Tag Import File

This parameter is used to enter the exact location of the DirectSoft export file from which tags will be imported. It is this file that will be used when Automatic Tag Database Generation is instructed to create the tag database. There are two types of import files: Supported and Not Supported.

Supported Import Files

Program (via Export), .txt extension

Element Documentation (via Export), Standard Format, .csv extension

Import Files Not Supported

Element Documentation (via Export), Standard Format, .txt extension

Element Documentation (via Export), EZ-Touch Format, .csv and .txt extension

Element Documentation (auto created), .esd extension

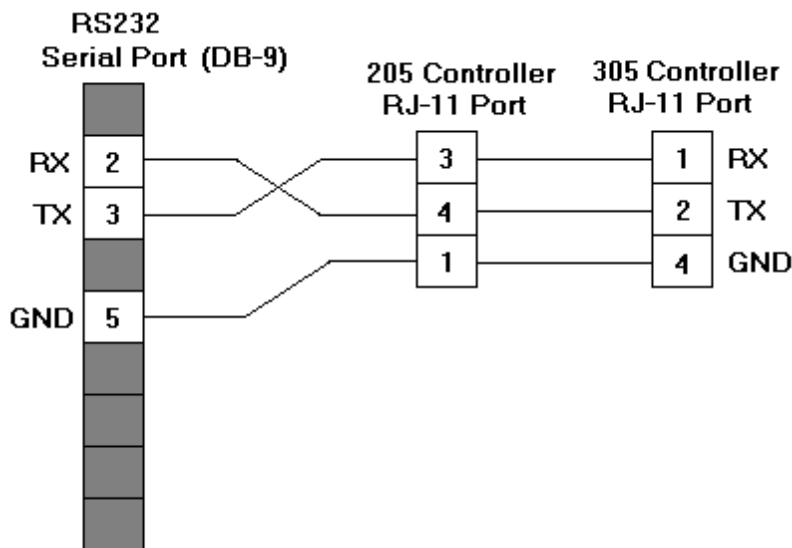
DirectSoft Project, .prj extension

Display Descriptions

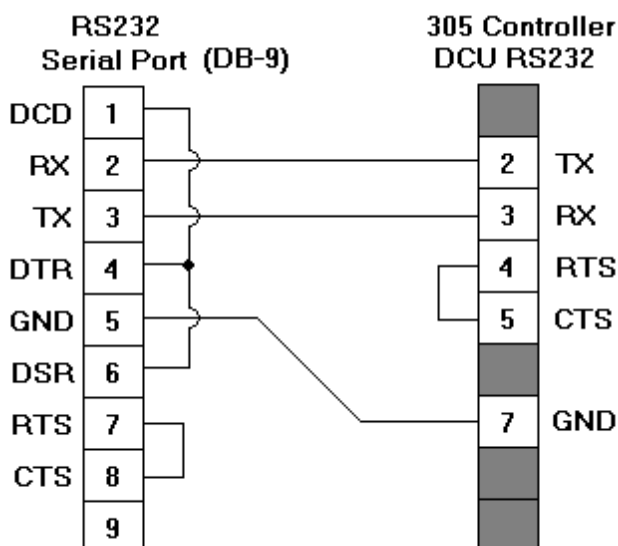
When checked, this parameter will import tag descriptions. If necessary, a description will be given to tags with long names that states their original tag name.

See Also: [Automatic Tag Database Generation](#)

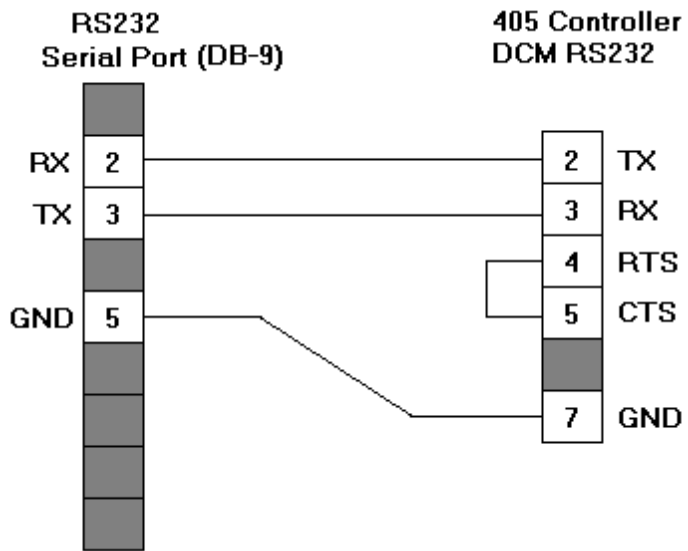
205 - 305 Controller: RS232 to RJ-11



305 Controller: RS232 to DCU RS232



405 Controller: RS232 to DCM RS232



Automatic Tag Database Generation

Generating a New Tag Database

The AutomationDirect DirectNet Driver uses files generated from DirectSoft via the **Program** or **Element Documentation Export** feature to generate the tag database. Before attempting to automatically create the tag database, a file must be created, selected and exported from DirectSoft. Tags are generated offline, meaning that a connection to the device is not required. Instead, the device driver imports a tag file generated from the DirectSoft export file to create the tag database. For more information, refer to [Importing DirectSoft Elements](#) and [Tag Import Settings](#).

Thus, there are two steps necessary for automatic tag database generation. First, an export file (*.txt or *.csv) must be created from DirectSoft. Second, tags must be generated based on that DirectSoft export file within the OPC server. For more information, refer to [Import Preparation: DirectSoft Steps](#) and [Import Preparation: OPC Server Steps](#).

Generating Tag Database While Preserving Previously Generated Tag Databases

Under certain circumstances, multiple imports into the server are required to import all tags of interest. This is the case with importing VersaPro System variables and non-System variables into the same OPC server project. In the Database Creation dialog under Device Properties, click on the selection **Perform the following action**. The options available are "Delete on create," "Overwrite as necessary," "Do not overwrite" and "Do not overwrite, log error." After the first OPC server import/database creation is done, check that the action is set to "Do not overwrite" or "Do not overwrite, log error" for future imports. This will allow tags to be imported without deleting or overwriting ones that have been imported previously.

Tag Hierarchy

The tags created via automatic tag database generation follow a specific hierarchy. The root level groups (or subgroup level of the group specified in "Add generated tags to the following group") are determined by the tag's memory type referenced (such as X, C, V and etc.). For example, every variable that is of address type "X" will be placed in a root level group called "X".

The only exception applies to counter and timer accumulator addresses CTA and TA respectively. In these cases, the address is converted to a V-memory reference (TA0 = V0) but the tags generated will be assigned to the root level group CTA or TA, not V. But explicit V-memory references to CTA and TA locations will be assigned to the root level group V as intended.

Import File-to-Server Name Conversions

Leading Underscores

Leading underscores (_) in tag names will be removed. This is required since the server does not accept tag names beginning with an underscore.

Invalid Characters in Name

The only characters allowed in the server tag name are A-Z, a-z, 0-9, and underscore (_). As mentioned above, a tag name cannot begin with an underscore. All other invalid characters encountered will be removed from the tag name.

Importing DirectSoft Elements

This driver uses files generated from DirectSoft via the Program or Element Documentation Export feature to generate the tag database. In both methods, the items of interest are the elements (nickname, address and description) created in the DirectSoft Documentation Editor.

Note 1: For information on how to create a DirectSoft tag import file (*.txt or *.csv), refer to [Import Preparation: DirectSoft Steps](#).

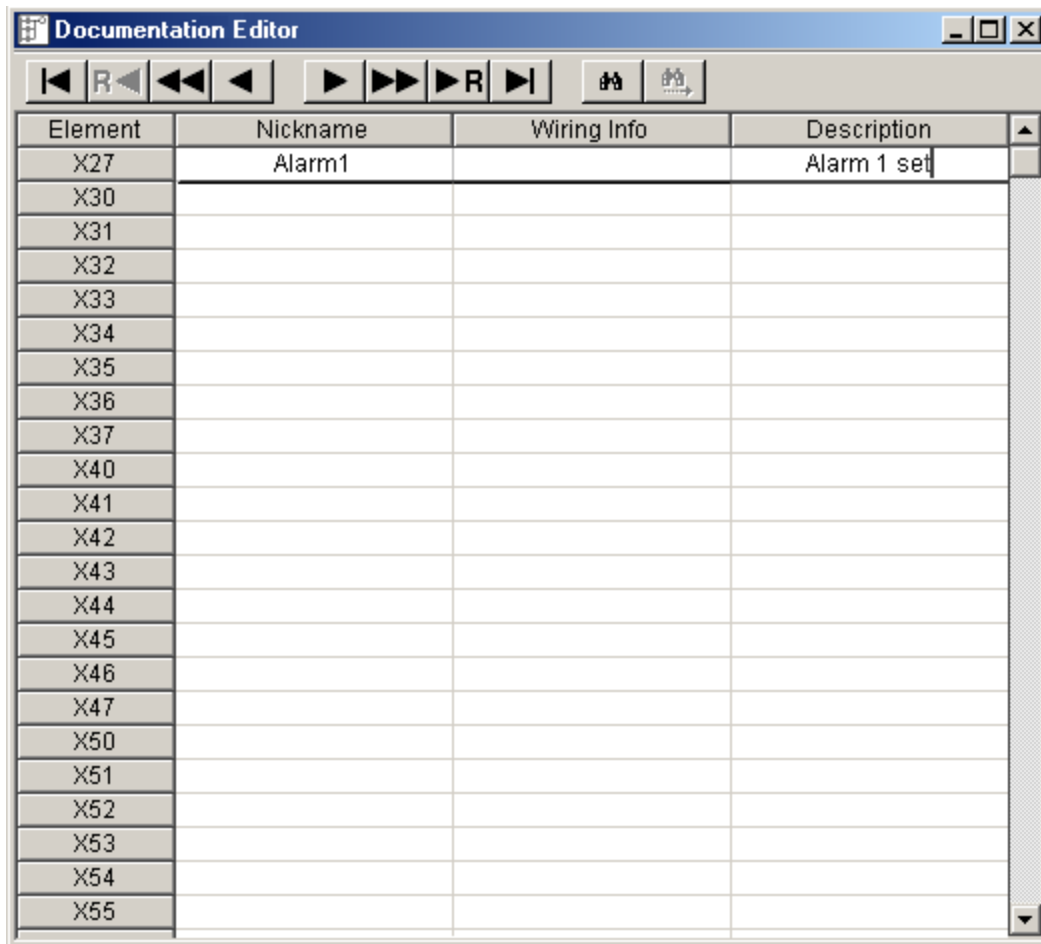
Note 2: For information on how to configure the OPC server to use this import file for Automatic Tag Database Generation, refer to [Import Preparation: OPC Server Steps](#).

Import Preparation: DirectSoft Steps

There are two supported methods for generating an export file in DirectSoft for the driver to use as a tag import file: Program Export (*.txt extension) and Element Documentation Export, Standard Format (*.csv extension).

Creating Nicknames

1. Open the **DirectSoft** project containing the tags (elements) that will be ported to the OPC server.
2. Open the **Documentation Editor** by clicking **Menu | Tools | Documentation Editor**.
3. Enter a nickname and description for each memory reference of interest.

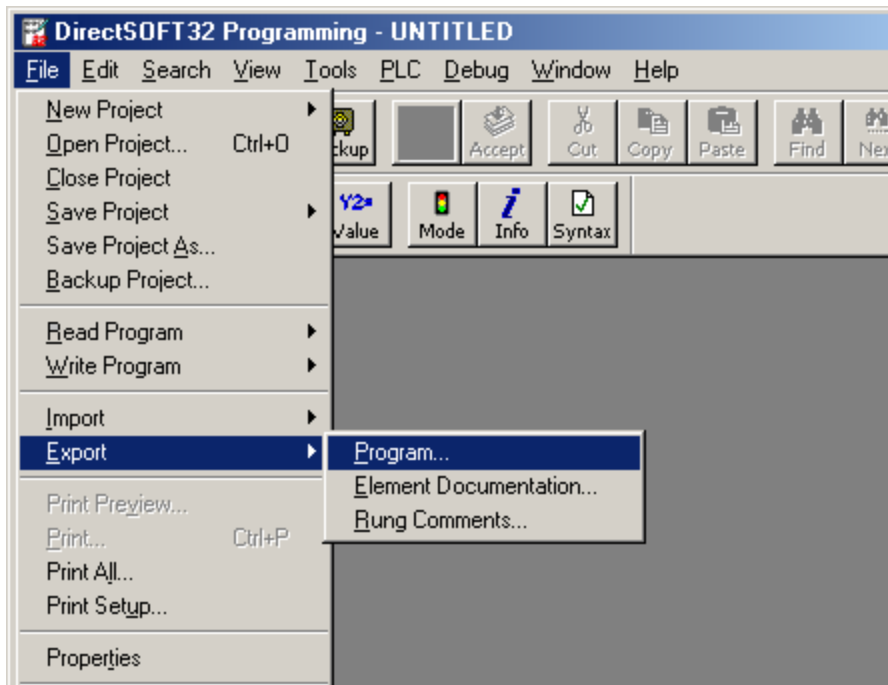


Element	Nickname	Wiring Info	Description
X27	Alarm1		Alarm 1 set
X30			
X31			
X32			
X33			
X34			
X35			
X36			
X37			
X40			
X41			
X42			
X43			
X44			
X45			
X46			
X47			
X50			
X51			
X52			
X53			
X54			
X55			

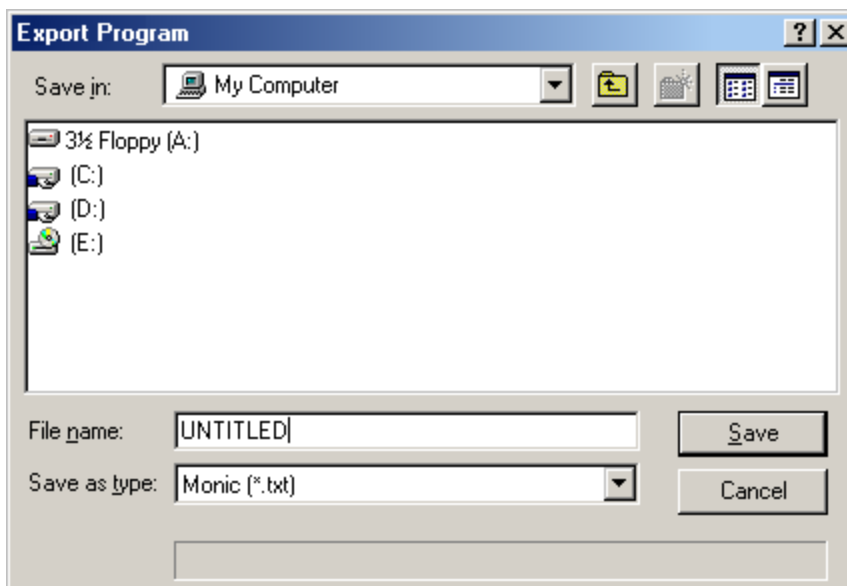
Exporting the Elements Through Program Export (.txt)

1. Open **DirectSoft**.
2. On **Menu**, click **File | Export**.

3. Select **Program**.



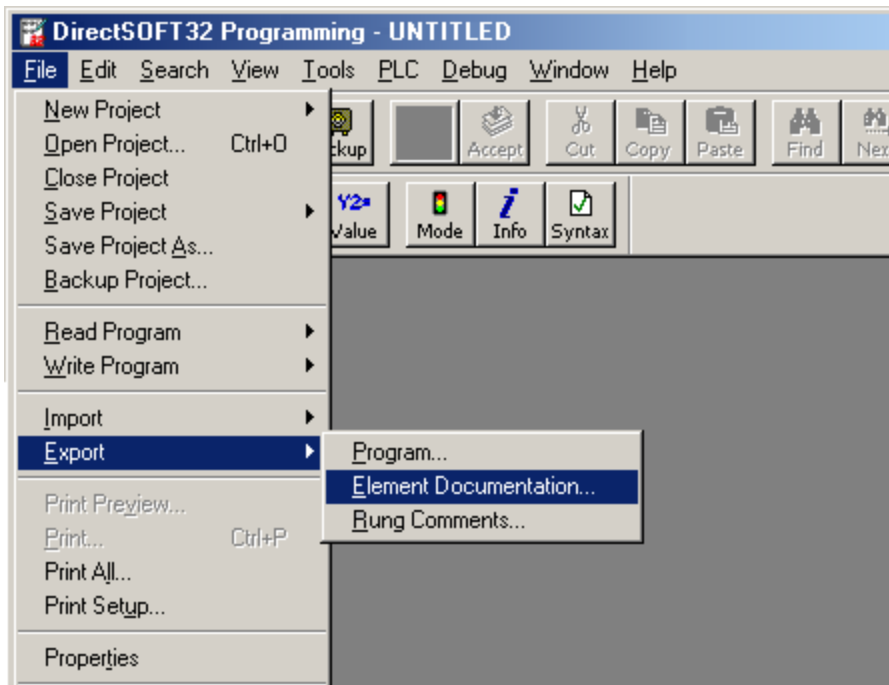
4. The **Save** dialog will show the file in text (*.txt) format.



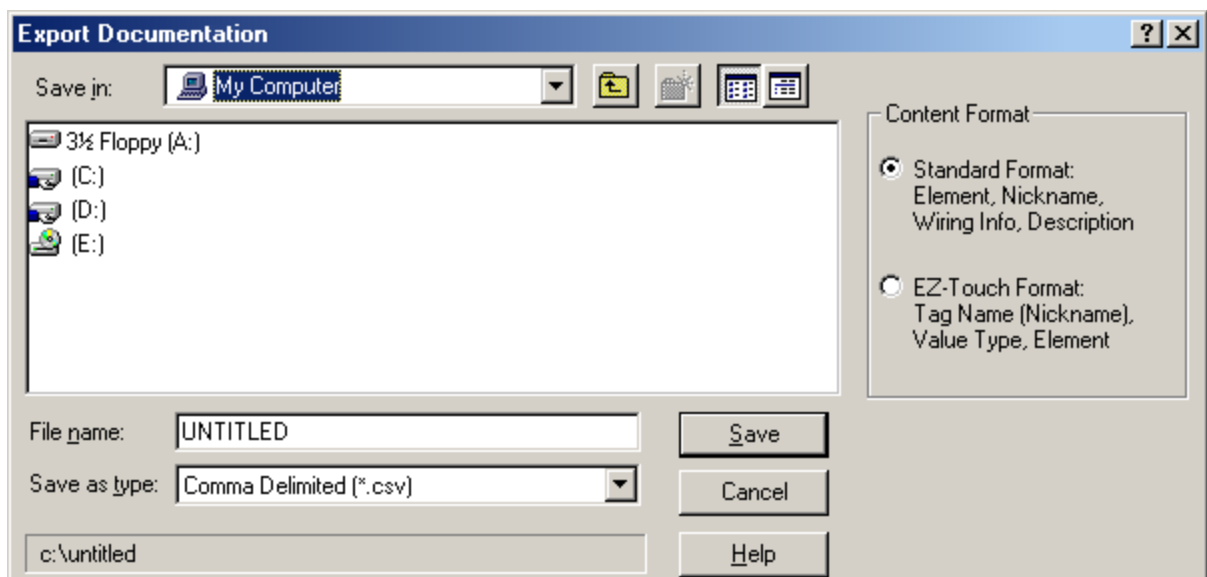
Exporting the Elements Through Element Documentation Export (.csv)

1. Open **DirectSoft**.
2. On **Menu**, click **File | Export**.

3. Select **Element Documentation**.



4. In the **Save** dialog, select **Comma Delimited (*.csv)** and **Standard Format**. Any other format or file type will not import properly. The file will be in **comma separated variable format**.



See Also: [Import Preparation: OPC Server Steps](#)

Import Preparation: OPC Server Steps

Important: An export file from DirectSoft must be created before the following OPC server steps can be completed. For more information, refer to [Import Preparation: DirectSoft Steps](#).

1. In the driver, open up the **Device Properties** for the device of interest.
2. Select the **Tag Import Settings** tab.
3. Browse and select the location of the newly created DirectSoft export file. Click **Apply**.

4. Select the **Database Creation** tab.
5. Configure the Database Creation settings.
6. Click **Auto Create** to create the tag database.

Note: The OPC server will then attempt to create the tag database, while posting messages to the event log on the status of the import. When finished, it will state that the tag import has been completed. All elements exported out of DirectSoft will appear in the OPC server in the layout discussed in [Tag Hierarchy](#).

The OPC tags generated are given meaningful names in the OPC server and are based on the variables imported. These tags are also placed in meaningful tag groups to provide a structured and manageable interface. The result is a well-organized OPC server project that directly reflects the variable import file.

See Also: [Tag Import Settings](#) and [Import File-to-Server Name Conversions](#).

Data Types Description

Data Type	Description
Boolean	Single bit
Byte	Unsigned 8 bit value bit 0 is the low bit bit 7 is the high bit
Char	Signed 8 bit value bit 0 is the low bit bit 6 is the high bit bit 7 is the sign bit
Word	Unsigned 16 bit value bit 0 is the low bit bit 15 is the high bit
Short	Signed 16 bit value bit 0 is the low bit bit 14 is the high bit bit 15 is the sign bit
DWord	Unsigned 32 bit value bit 0 is the low bit bit 31 is the high bit
Long	Signed 32 bit value bit 0 is the low bit bit 30 is the high bit bit 31 is the sign bit
Float	32 bit Floating point value. The driver interprets two consecutive registers as a Floating point value by making the second register the high word and the first register the low word.
BCD	Two byte packed BCD Value range is 0-9999. Behavior is undefined for values beyond this range.
LBCD	Four byte packed BCD Value range is 0-99999999. Behavior is undefined for values beyond this range.

Address Descriptions

Address specifications vary depending on the model in use. Select a link from the following list to obtain specific address information for the model of interest.

[DL-05](#)
[DL-06](#)
[DL-230](#)
[DL-240](#)
[DL-250\(-1\)](#)
[DL-260](#)
[DL-330](#)
[DL-340](#)
[DL-350](#)
[DL-430](#)
[DL-440](#)
[DL-450](#)

DL-05 Addressing

The default data types are shown in **bold**.

I/O	X, Y	Boolean
Devices	C, SP, T, CT, S	Boolean
Data Words	V	Word, Short , DWord, Long, Float, LBCD BCD (default for Timers and Counters only)

Bit Access to V Memory

Bit information can be directly accessed within V memory registers. To access a bit within a V memory register, a bit number can be appended to any V memory address. V memory addressing with bit access would appear as follows: V<xxxx>.<yy> where xxxx is the V memory register location and yy is the bit number (0 to 15) within that register. If the V memory location is either a Long or DWord, the bit number yy can be (0 to 31).

Array Support for V Memory

This driver supports array notation for V memory addresses. To specify an array, append the array size to the address specification as follows: address[array size] or address[rows][cols]. Array size is limited to 128 elements when referenced as a Word, Short, and BCD, and 64 elements when referenced as a DWord, Long, Float, and LBCD.

Examples

- V0 [3][4] @ BCD - Array of 12 Timer Values.
- V1200 [128] @ Word - Array of 128 Words (Maximum allowed) starting at V1200.
- V1200 [64] @ DWord - Array of 64 DWords (Maximum allowed) starting at V1200.

Address Specifications

All address ranges are specified in Octal.

Memory Type	Discrete Memory Reference	Discrete Memory Range	Word Memory Reference	Word Memory Range
Input Points*	X<xxx>	X0-X377	V<xxxx>	V40400-V40417
Output Points	Y<xxx>	Y0-Y377	V<xxxx>	V40500-V40517
Control Relays	C<xxx>	C0-C777	V<xxxx>	V40600-V40637
Special Relays	SP<xxx>	SP0-SP777	V<xxxx>	V41200-V41237
Timer Status Bits	T<xxx>	T0-T177	V<xxxx>	V41100-V41107
Timer Current Values	None	None	V<xxxx>	V0-V177
Counter Status Bits	CT<xxx>	CT0-CT177	V<xxxx>	V41140-V41147
Counter Current Values	None	None	V<xxxx>	V1000-V1177
Data Words	None	None	V<xxxx>	V1200-V7377
Data Words Non-Volatile	None	None	V<xxxx>	V7400-V7577

Stages	S<xxx>	S0-S377	V<xxxxx>	V41000-V41017
System Parameters	None	None	V<xxxxx>	V7600-V7777

*Read Only.

Examples

1. V40401 - bits 20 - 27 (octal) of X Input.
2. V41100 - Timer status bits 0 - 17 (octal).
3. V7600 - System parameter word 7600.
4. V2000.1 - Bit access to V2000 bit 1.
5. V2000.30 @ Long - Bit access to V2000 as a Long bit 30.

DL-06 Addressing

The default data types are shown in **bold**.

I/O	X, Y, GX, GY	Boolean
Devices	C, SP, T, CT, S	Boolean
Data Words	V	Word, Short , DWord, Long, Float, LBCD BCD (default for Timers and Counters only)

Bit Access to V Memory

Bit information can be directly accessed within V memory registers. To access a bit within a V memory register, a bit number can be appended to any V memory address. V memory addressing with bit access would appear as follows: V<xxxxx>.<yy> where xxxxx is the V memory register location and yy is the bit number (0 to 15) within that register. If the V memory location is either a Long or DWord, the bit number yy can be (0 to 31).

Array Support for V Memory

This driver supports array notation for V memory addresses. To specify an array, append the array size to the address specification as follows: address[array size] or address[rows][cols]. Array size is limited to 128 elements when referenced as a Word, Short, and BCD, and 64 elements when referenced as a DWord, Long, Float, and LBCD.

Examples

1. V0 [3][4] @ BCD - Array of 12 Timer Values.
2. V1200 [128] @ Word - Array of 128 Words (Maximum allowed) starting at V1200.
3. V1200 [64] @ DWord - Array of 64 DWords (Maximum allowed) starting at V1200.

Address Specifications

All address ranges are specified in Octal.

Memory Type	Discrete Memory Reference	Discrete Memory Range	Word Memory Reference	Word Memory Range
Input Points*	X<xxx>	X0-X777	V<xxxxx>	V40400-V40437
Output Points	Y<xxx>	Y0-Y777	V<xxxxx>	V40500-V40537
Control Relays	C<xxx>	C0-C1777	V<xxxxx>	V40600-V40677
Special Relays	SP<xxx>	SP0-SP777	V<xxxxx>	V41200-V41237
Timer Status Bits	T<xxx>	T0-T377	V<xxxxx>	V41100-V41117
Timer Current Values	None	None	V<xxxxx>	V0-V377
Counter Status Bits	CT<xxx>	CT0-CT177	V<xxxxx>	V41040-V41147
Counter Current Values	None	None	V<xxxxx>	V1000-V1177
Data Words	None	None	V<xxxxx>	V400-V677 V1200-V7377 V10000-V17777
Data Words Non-Volatile	None	None	V<xxxxx>	V7400-V7577
Stages	S<xxx>	S0-S1777	V<xxxxx>	V41000-V41077
Remote I/O	GX<xxx> GY<xxx>	GX0-GX3777 GY0-GY3777	V<xxxxx>	V40000-V40177 V40200-V40377
System Parameters	None	None	V<xxxxx>	V700-V777

			V7600-V7777 V36000-V37777
--	--	--	------------------------------

*Read Only.

Examples

1. V40401 - bits 20 - 27 (octal) of X Input.
2. V41100 - Timer status bits 0 - 17 (octal).
3. V700 - System parameter word 700.
4. V2000.1 - Bit access to V2000 bit 1.
5. V2000.30@Long - Bit access to V2000 as a Long bit 30.

DL-230 Addressing

The default data types are shown in **bold**.

I/O	X, Y	Boolean
Devices	C, SP, T, CT, S	Boolean
Data Words	V	Word, Short , DWord, Long, Float, LBCD BCD (default for Timers and Counters only)

Bit Access to V Memory

Bit information can be directly accessed within V memory registers. To access a bit within a V memory register, a bit number can be appended to any V memory address. V memory addressing with bit access would appear as follows: V<xxxxx>.<yy> where xxxxx is the V memory register location and yy is the bit number (0 to 15) within that register. If the V memory location is either a Long or DWord, the bit number yy can be (0 to 31).

Array Support for V Memory

This driver supports array notation for V memory addresses. To specify an array, append the array size to the address specification as follows: address[array size] or address[rows][cols]. Array size is limited to 128 elements when referenced as a Word, Short, and BCD, and 64 elements when referenced as a DWord, Long, Float, and LBCD.

Examples

1. V0 [3][4] @ BCD - Array of 12 Timer Values.
2. V2000 [128] @ Word - Array of 128 Words (Maximum allowed) starting at V2000.
3. V2000 [64] @ DWord - Array of 64 DWords (Maximum allowed) starting at V2000.

Address Specifications

All address ranges are specified in Octal.

Memory Type	Discrete Memory Reference	Discrete Memory Range	Word Memory Reference	Word Memory Range
Input Points*	X<xxx>	X0-X177	V<xxxxx>	V40400-V40407
Output Points	Y<xxx>	Y0-Y177	V<xxxxx>	V40500-V40507
Control Relays	C<xxx>	C0-C377	V<xxxxx>	V40600-V40617
Special Relays	SP<xxx>	SP0-SP117 SP540-SP577	V<xxxxx>	V41200-V41204 V41226-V41227
Timer Status Bits	T<xxx>	T0-T77	V<xxxxx>	V41100-V41103
Timer Current Values	None	None	V<xxxxx>	V0-V77
Counter Status Bits	CT<xxx>	CT0-CT77	V<xxxxx>	V41140-V41143
Counter Current Values	None	None	V<xxxxx>	V1000-V1077
Data Words	None	None	V<xxxxx>	V2000-V2377
Data Words Non-Volatile	None	None	V<xxxxx>	V4000-V4177
Stages	S<xxx>	S0-S377	V<xxxxx>	V41000-V41017
System Parameters	None	None	V<xxxxx>	V7620-V7647 V7750-V7777

*Read Only.

Examples

1. V40500 bits 0 - 17 (octal) of Y Output.
2. CT65 Counter contact 65.
3. S57 Stage control bit 57.
4. V2000.1 Bit access to V2000 bit 1.
5. V2000.30@Long Bit access to V2000 as a Long bit 30.

DL-240 Addressing

The default data types are shown in **bold**.

I/O	X, Y	Boolean
Devices	C, SP, T, CT, S	Boolean
Data Words	V	Word, Short , DWord, Long, Float, LBCD BCD (default for Timers and Counters only)

Bit Access to V Memory

Bit information can be directly accessed within V memory registers. To access a bit within a V memory register, a bit number can be appended to any V memory address. V memory addressing with bit access would appear as follows: V<xxxx>.<yy> where xxxx is the V memory register location and yy is the bit number (0 to 15) within that register. If the V memory location is either a Long or DWord, the bit number yy can be (0 to 31).

Array Support for V Memory

This driver supports array notation for V memory addresses. To specify an array, append the array size to the address specification as follows: address[array size] or address[rows][cols]. Array size is limited to 128 elements when referenced as a Word, Short, and BCD, and 64 elements when referenced as a DWord, Long, Float, and LBCD.

Examples

1. V0 [3][4] @ BCD- Array of 12 Timer Values.
2. V2000 [128] @ Word - Array of 128 Words (Maximum allowed) starting at V2000.
3. V2000 [64] @ DWord - Array of 64 DWords (Maximum allowed) starting at V2000.

Address Specifications

All address ranges are specified in Octal.

Memory Type	Discrete Memory Reference	Discrete Memory Range	Word Memory Reference	Word Memory Range
Input Points	X<xxx>	X0-X177	V<xxxxx>	V40400-V40407
Output Points	Y<xxx>	Y0-Y177	V<xxxxx>	V40500-V40507
Control Relays	C<xxx>	C0-C377	V<xxxxx>	V40600-V40617
Special Relays	SP<xxx>	SP0-SP137 SP540-SP617	V<xxxxx>	V41200-V41205 V41226-V41230
Timer Status Bits	T<xxx>	T0-T177	V<xxxxx>	V41100-V41107
Timer Current Values	None	None	V<xxxxx>	V0-V177
Counter Status Bits	CT<xxx>	CT0-CT177	V<xxxxx>	V41140-V41147
Counter Current Values	None	None	V<xxxxx>	V1000-V1177
Data Words	None	None	V<xxxxx>	V2000-V3777
Data Words Non-Volatile	None	None	V<xxxxx>	V4000-V4377
Stages	S<xxx>	S0-S777	V<xxxxx>	V41000-V41037
System Parameters	None	None	V<xxxxx>	V7620-V7737 V7746-V7777

*Read Only.

Examples

1. V40500 bits 0 - 17 (octal) of Y Output.
2. CT165 Counter contact 165.
3. S57 Stage control bit 57.

4. V2000.1 Bit access to V2000 bit 1.
5. V2000.30@Long Bit access to V2000 as a Long bit 30.

DL-250(-1) Addressing

The default data types are shown in **bold**.

I/O	X, Y	Boolean
Devices	C, SP, T, CT, S	Boolean
Data Words	V	Word, Short , DWord, Long, Float, LBCD BCD (default for Timers and Counters only)

Bit Access to V Memory

Bit information can be directly accessed within V memory registers. To access a bit within a V memory register, a bit number can be appended to any V memory address. V memory addressing with bit access would appear as follows: V<xxxxx>.<yy> where xxxxx is the V memory register location and yy is the bit number (0 to 15) within that register. If the V memory location is either a Long or DWord, the bit number yy can be (0 to 31).

Array Support for V Memory

This driver supports array notation for V memory addresses. To specify an array, append the array size to the address specification as follows: address[array size] or address[rows][cols]. Array size is limited to 128 elements when referenced as a Word, Short, and BCD, and 64 elements when referenced as a DWord, Long, Float, and LBCD.

Examples

1. V0 [3][4] @ BCD- Array of 12 Timer Values.
2. V1400 [128] @ Word - Array of 128 Words (Maximum allowed) starting at V1400.
3. V1400 [64] @ DWord - Array of 64 DWords (Maximum allowed) starting at V1400.

Address Specifications

All address ranges are specified in Octal.

Memory Type	Discrete Memory Reference	Discrete Memory Range	Word Memory Reference	Word Memory Range
Input Points*	X<xxx>	X0-X777	V<xxxxx>	V40400-V40437
Output Points	Y<xxx>	Y0-Y777	V<xxxxx>	V40500-V40537
Control Relays	C<xxx>	C0-C1777	V<xxxxx>	V40600-V40677
Special Relays	SP<xxx>	SP0-SP777	V<xxxxx>	V41200-V41237
Timer Status Bits	T<xxx>	T0-T377	V<xxxxx>	V41100-V41117
Timer Current Values	None	None	V<xxxxx>	V0-V377
Counter Status Bits	CT<xxx>	CT0-CT177	V<xxxxx>	V41140-V41147
Counter Current Values	None	None	V<xxxxx>	V1000-V1177
Data Words	None	None	V<xxxxx>	V1400-V7377 V10000-V17777
Stages	S<xxx>	S0-S1777	V<xxxxx>	V41000-V41077
System Parameters	None	None	V<xxxxx>	V7400-V7777 V37000-V37777

*Read Only.

Examples

1. V40401 bits 20 - 27 (octal) of X Input.
2. V41100 Timer status bits 0 - 17 (octal).
3. V7400 System parameter word 7400.
4. V2000.1 Bit access to V2000 bit 1.
5. 2000.30@Long Bit access to V2000 as a Long bit 30.

DL-260 Addressing

The default data types are shown in **bold**.

I/O	X, Y	Boolean
Devices	C, SP, T, CT, S	Boolean
Data Words	V	Word, Short , DWord, Long, Float, LBCD BCD (default for Timers and Counters only)

Bit Access to V Memory

Bit information can be directly accessed within V memory registers. To access a bit within a V memory register, a bit number can be appended to any V memory address. V memory addressing with bit access would appear as follows: V<xxxxx>.<yy> where xxxxx is the V memory register location and yy is the bit number (0 to 15) within that register. If the V memory location is either a Long or DWord, the bit number yy can be (0 to 31).

Array Support for V Memory

This driver supports array notation for V memory addresses. To specify an array, append the array size to the address specification as follows: address[array size] or address[rows][cols]. Array size is limited to 128 elements when referenced as a Word, Short, and BCD, and 64 elements when referenced as a DWord, Long, Float, and LBCD.

Examples

- V0 [3][4] @ BCD- Array of 12 Timer Values.
- V1400 [128] @ Word - Array of 128 Words (Maximum allowed) starting at V1400.
- V1400 [64] @ DWord - Array of 64 DWords (Maximum allowed) starting at V1400.

Address Specifications

All address ranges are specified in Octal.

Memory Type	Discrete Memory Reference	Discrete Memory Range	Word Memory Reference	Word Memory Range
Input Points*	X<xxx>	X0-X1777	V<xxxxx>	V40400-V40477
Output Points	Y<xxx>	Y0-Y1777	V<xxxxx>	V40500-V40577
Control Relays	C<xxx>	C0-C3777	V<xxxxx>	V40600-V40777
Special Relays	SP<xxx>	SP0-SP777	V<xxxxx>	V41200-V41237
Timer Status Bits	T<xxx>	T0-T377	V<xxxxx>	V41100-V41117
Timer Current Values	None	None	V<xxxxx>	V0-V377
Counter Status Bits	CT<xxx>	CT0-CT377	V<xxxxx>	V41140-V41157
Counter Current Values	None	None	V<xxxxx>	V1000-V1377
Data Words	None	None	V<xxxxx>	V400-V777 V1400-V7377 V10000-V35777
Stages	S<xxx>	S0-S1777	V<xxxxx>	V41000-V41077
Remote I/O	GX<xxx>	GX0-GX3777	V<xxxxx>	V40000-V40177
	GY<xxx>	GY0-GY3777	V<xxxxx>	V40200-V40377
System Parameters	None	None	V<xxxxx>	V7600-V7777 V36000-V37777

*Read Only.

Examples

- V40401 bits 20 - 27 (octal) of X Input.
- V41100 Timer status bits 0 - 17 (octal).
- V7400 System parameter word 7400.
- V2000.1 Bit access to V2000 bit 1.
- V2000.30@Long Bit access to V2000 as a Long bit 30.

DL-330 Addressing

The default data types are shown in **bold**.

I/O	IO	Boolean
Devices	C, SP, CT, SR	Boolean
8-bit Registers	R	Byte, Char, Word, Short , DWord, Long, Float, BCD, LBCD BCD (default for Timers and Counters only)

Address Specifications

All address ranges are specified in Octal.

Memory Type	Discrete Memory Reference	Discrete Memory Range	Word Memory Reference	Word Memory Range
Input / Output Points	IO<xxx>	IO0-IO157 IO700-IO767	R<xxx>	R0-R15 R70-R76
Control Relays	C<xxx>	C160-C373	R<xxx>	R16-R37
Special Relays	SP<xxx>	SP374-SP377 SP770-SP777	R<xxx>	R37 R77
Timer / Counter Status Bits	CT<xxx>	CT600-CT677	None	None
Timer / Counter Preset Values	None	None	R<xxx>	R564-R573
Timer / Counter Current Values	None	None	R<xxx>	R600-R677
Data Words*	None	None	R<xxx>	R400-R563
Shift Registers	SR<xxx>	SR400 - SR577	None	None
Special Registers	None	None	R<xxx>	R574-V577

*Only even registers are writable.

Examples

1. R37 bits 374 - 377 (octal) of the special relays.
2. IO157 bit 157 of the i/o points.
3. R16 bits 160 - 167 of the control relays.

DL-340 Addressing

The default data types are shown in **bold**.

I/O	IO	Boolean
Devices	C, SP, CT, SR	Boolean
Data Words	R	Byte, Char, Word, Short , DWord, Long, Float, BCD, LBCD BCD (default for Timers and Counters only)

Address Specifications

All address ranges are specified in Octal.

Memory Type	Discrete Memory Reference	Discrete Memory Range	Word Memory Reference	Word Memory Range
Input / Output Points	IO<xxx>	IO0-IO157 IO700-IO767	R<xxx>	R0-R15 R70-R76
Control Relays	C<xxx>	C160-C373 C1000-C1067	R<xxx>	R16-R37 R100-R106
Special Relays	SP<xxx>	SP374-SP377 SP770-SP777 SP1070-SP1077	R<xxx>	R37 R77 R107
Timer / Counter Status Bits	CT<xxx>	CT600-CT677	None	None
Timer / Counter Preset	None	None	R<xxx>	R564-R573

Values				
Timer / Counter Current Values	None	None	R<xxx>	R600-R677
Data Words*	None	None	R<xxx>	R400-R563 R700-R767
Shift Registers	SR<xxx>	SR400-SR577	None	None
Special Registers	None	None	R<xxx>	R574-V577 R770-R777

*Only even registers are writable.

Examples

1. R37 bits 374 - 377 (octal) of the special relays.
2. IO157 bit 157 of the i/o points.
3. R100 bits 1000 - 1007 of the control relays.

DL-350 Addressing

The default data types are shown in **bold**.

I/O	X, Y	Boolean
Devices	C, SP, T, CT, S	Boolean
Data Words	V	Word, Short , DWord, Long, Float, LBCD BCD (default for Timers and Counters only)

Bit Access to V Memory

Bit information can be directly accessed within V memory registers. To access a bit within a V memory register, a bit number can be appended to any V memory address. V memory addressing with bit access would appear as follows: V<xxxxx>.<yy> where xxxxx is the V memory register location and yy is the bit number (0 to 15) within that register. If the V memory location is either a Long or DWord, the bit number yy can be (0 to 31).

Array Support for V Memory

This driver supports array notation for V memory addresses. To specify an array, append the array size to the address specification as follows: address[array size] or address[rows][cols]. Array size is limited to 128 elements when referenced as a Word, Short, and BCD, and 64 elements when referenced as a DWord, Long, Float, and LBCD.

Examples

1. V0 [3][4] @ BCD- Array of 12 Timer Values
2. V1400 [128] @ Word - Array of 128 Words (Maximum allowed) starting at V1400
3. V1400 [64] @ DWord - Array of 64 DWords (Maximum allowed) starting at V1400

Address Specifications

All address ranges are specified in Octal.

Memory Type	Discrete Memory Reference	Discrete Memory Range	Word Memory Reference	Word Memory Range
Input Points*	X<xxx>	X0-X777	V<xxxxx>	V40400-V40437
Output Points	Y<xxx>	Y0-Y777	V<xxxxx>	V40500-V40537
Control Relays	C<xxx>	C0-C1777	V<xxxxx>	V40600-V40677
Special Relays	SP<xxx>	SP0-SP777	V<xxxxx>	V41200-V41237
Timer Status Bits	T<xxx>	T0-T377	V<xxxxx>	V41100-V41117
Timer Current Values	None	None	V<xxxxx>	V0-V377
Counter Status Bits	CT<xxx>	CT0-CT177	V<xxxxx>	V41140-V41147
Counter Current Values	None	None	V<xxxxx>	V1000-V1177
Data Words	None	None	V<xxxxx>	V1400-V7377 10000-V17777

Stages	S<xxx>	S0-S1777	V<xxxxx>	V41000-V41077
System Parameters	None	None	V<xxxxx>	V7400-V7777 V36000-V37777

*Read Only.

Examples

1. V40401 bits 20 - 27 (octal) of X Input.
2. V41100 Timer status bits 0 - 17 (octal).
3. V7400 System parameter word 7400.
4. V2000.1 Bit access to V2000 bit 1.
5. V2000.30@Long Bit access to V2000 as a Long bit 30.

DL-430 Addressing

The default data types are shown in **bold**.

I/O	X, Y, GX	Boolean
Devices	C, SP, T, CT, S	Boolean
Data Words	V	Word, Short , DWord, Long, Float, LBCD BCD (default for Timers and Counters only)

Bit Access to V Memory

Bit information can be directly accessed within V memory registers. To access a bit within a V memory register, a bit number can be appended to any V memory address. V memory addressing with bit access would appear as follows: V<xxxxx>.<yy> where xxxxx is the V memory register location and yy is the bit number (0 to 15) within that register. If the V memory location is either a Long or DWord, the bit number yy can be (0 to 31).

Array Support for V Memory

This driver supports array notation for V memory addresses. To specify an array, append the array size to the address specification as follows: address[array size] or address[rows][cols]. Array size is limited to 128 elements when referenced as a Word, Short, and BCD, and 64 elements when referenced as a DWord, Long, Float, and LBCD.

Examples

1. V0 [3][4] @ BCD- Array of 12 Timer Values.
2. V1400 [128] @ Word - Array of 128 Words (Maximum allowed) starting at V1400.
3. V1400 [64] @ DWord - Array of 64 DWords (Maximum allowed) starting at V1400.

Address Specifications

All address ranges are specified in Octal.

Memory Type	Discrete Memory Reference	Discrete Memory Range	Word Memory Reference	Word Memory Range
Input Points	X<xxx>	X0-X477	V<xxxxx>	V40400-V40423
Output Points	Y<xxx>	Y0-Y477	V<xxxxx>	V40500-V40523
Control Relays	C<xxx>	C0-C737	V<xxxxx>	V40600-V40635
Special Relays	SP<xxx>	SP0-SP137 SP320-SP617	V<xxxxx>	V41200-V41205 V41215-V41230
Timer Status Bits	T<xxx>	T0-T177	V<xxxxx>	V41100-V41107
Timer Current Values	None	None	V<xxxxx>	V0-V177
Counter Status Bits	CT<xxx>	CT0-CT177	V<xxxxx>	V41040-V41147
Counter Current Values	None	None	V<xxxxx>	V1000-V1177
Data Words	None	None	V<xxxxx>	V1400-V7377
Stages	S<xxx>	S0-S577	V<xxxxx>	V41000-V41027
Remote I/O	GX<xxx>	GX0-GX737	V<xxxxx>	V40000-V40037
System Parameters	None	None	V<xxxxx>	V7400-V7777

*Read Only.

Examples

1. V40401 bits 20 - 27 (octal) of X Input.
2. T172 Timer contact 172.
3. GX5 Remote I/O bit 5.
4. V2000.1 Bit access to V2000 bit 1.
5. V2000.30@Long Bit access to V2000 as a Long bit 30.

DL-440 Addressing

The default data types are shown in **bold**.

I/O	X, Y GX	Boolean
Devices	C, SP, T, CT, S	Boolean
Data Words	V	Word, Short , DWord, Long, Float, LBCD BCD (default for Timers and Counters only)

Bit Access to V Memory

Bit information can be directly accessed within V memory registers. To access a bit within a V memory register, a bit number can be appended to any V memory address. V memory addressing with bit access would appear as follows: V<xxxxx>.<yy> where xxxxx is the V memory register location and yy is the bit number (0 to 15) within that register. If the V memory location is either a Long or DWord, the bit number yy can be (0 to 31).

Array Support for V Memory

This driver supports array notation for V memory addresses. To specify an array, append the array size to the address specification as follows: address[array size] or address[rows][cols]. Array size is limited to 128 elements when referenced as a Word, Short, and BCD, and 64 elements when referenced as a DWord, Long, Float, and LBCD.

Examples

1. V0 [3][4] @ BCD- Array of 12 Timer Values.
2. V1400 [128] @ Word - Array of 128 Words (Maximum allowed) starting at V1400.
3. V1400 [64] @ DWord - Array of 64 DWords (Maximum allowed) starting at V1400.

Address Specifications

All address ranges are specified in Octal.

Memory Type	Discrete Memory Reference	Discrete Memory Range	Word Memory Reference	Word Memory Range
Input Points*	X<xxx>	X0-X477	V<xxxxx>	V40400-V40423
Output Points	Y<xxx>	Y0-Y477	V<xxxxx>	V40500-V40523
Control Relays	C<xxx>	C0-C1777	V<xxxxx>	V40600-V40677
Special Relays	SP<xxx>	SP0-SP137	V<xxxxx>	V41200-V41205
		SP320-SP617		V41215-V41230
		SP620-SP717		V41231-V41234
Timer Status Bits	T<xxx>	T0-T377	V<xxxxx>	V41100-V41117
Timer Current Values	None	None	V<xxxxx>	V0-V377
Counter Status Bits	CT<xxx>	CT0-CT177	V<xxxxx>	V41040-V41147
Counter Current Values	None	None	V<xxxxx>	V1000-V1177
Data Words	None	None	V<xxxxx>	V1400-V7377
				V10000-V17777
Stages	S<xxx>	S0-S1777	V<xxxxx>	V41000-V41077
Remote I/O	GX<xxx>	GX0-GX1777	V<xxxxx>	V40000-V40077
System Parameters	None	None	V<xxxxx>	V700-V737
				V7400-V7777

*Read Only.

Examples

1. V40401 bits 20 - 27 (octal) of X Input.
2. V41100 Timer status bits 0 - 17 (octal).
3. V700 System parameter word 700.
4. V2000.1 Bit access to V2000 bit 1.
5. V2000.30@Long Bit access to V2000 as a Long bit 30.

DL-450 Addressing

The default data types are shown in **bold**.

I/O	X, Y, GX, GY	Boolean
Devices	C, SP, T, CT, S	Boolean
Data Words	V	Word, Short , DWord, Long, Float, LBCD BCD (default for Timers and Counters only)

Bit Access to V Memory

Bit information can be directly accessed within V memory registers. To access a bit within a V memory register, a bit number can be appended to any V memory address. V memory addressing with bit access would appear as follows: V<xxxxx>.<yy> where xxxxx is the V memory register location and yy is the bit number (0 to 15) within that register. If the V memory location is either a Long or DWord, the bit number yy can be (0 to 31).

Array Support for V Memory

This driver supports array notation for V memory addresses. To specify an array, append the array size to the address specification as follows: address[array size] or address[rows][cols]. Array size is limited to 128 elements when referenced as a Word, Short, and BCD, and 64 elements when referenced as a DWord, Long, Float, and LBCD.

Examples

1. V0 [3][4] @ BCD- Array of 12 Timer Values.
2. V1400 [128] @ Word - Array of 128 Words (Maximum allowed) starting at V1400.
3. V1400 [64] @ DWord - Array of 64 DWords (Maximum allowed) starting at V1400.

Address Specifications

All address ranges are specified in Octal.

Memory Type	Discrete Memory Reference	Discrete Memory Range	Word Memory Reference	Word Memory Range
Input Points*	X<xxx>	X0-X1777	V<xxxxx>	V40400-V40477
Output Points	Y<xxx>	Y0-Y1777	V<xxxxx>	V40500-V40577
Control Relays	C<xxx>	C0-C3777	V<xxxxx>	V40600-V40777
Special Relays	SP<xxx>	SP0-SP137 SP320-SP717	V<xxxxx>	V41200-V41237
Timer Status Bits	T<xxx>	T0-T377	V<xxxxx>	V41100-V41117
Timer Current Values	None	None	V<xxxxx>	V0-V377
Counter Status Bits	CT<xxx>	CT0-CT377	V<xxxxx>	V41040-V41157
Counter Current Values	None	None	V<xxxxx>	V1000-V1377
Data Words	None	None	V<xxxxx>	V1400-V7377 V10000-V37777
Stages	S<xxx>	S0-S1777	V<xxxxx>	V41000-V41077
Remote I/O	GX<xxx>	GX0-GX3777	V<xxxxx>	V40000-V40177
	GY<xxx>	GY0-GY3777	V<xxxxx>	V40200-V40377
System Parameters	None	None	V<xxxxx>	V700-V737 V7400-V7777

*Read Only.

Examples

1. V40401 bits 20 - 27 (octal) of X Input.
2. V41100 Timer status bits 0 - 17 (octal).
3. V700 System parameter word 700.
4. V2000.1 Bit access to V2000 bit 1.
5. V2000.30@Long Bit access to V2000 as a Long bit 30.

Error Descriptions

The following error/warning messages may be generated. Click on the link for a description of the message.

Address Validation

[Missing address](#)

[Device address '<address>' contains a syntax error](#)

[Address '<address>' is out of range for the specified device or register](#)

[Device address '<address>' is not supported by model '<model name>'](#)

[Data Type '<type>' is not valid for device address '<address>'](#)

[Device address '<address>' is Read Only](#)

Serial Communications

[COMn does not exist](#)

[Error opening COMn](#)

[COMn is in use by another application](#)

[Unable to set comm parameters on COMn](#)

[Communications error on '<channel name>' \[<error mask>\]](#)

Device Status Messages

[Device '<device name>' is not responding](#)

[Unable to write to '<address>' on device '<device name>'](#)

Device Specific Messages

[Bad address in block \[<start address> to <end address>\] on device '<device name>'](#)

Automatic Tag Database Generation Messages

[Unable to generate a tag database for device <device name>](#)

[Unable to generate a tag database for device <device name>](#)

Address Validation

The following error/warning messages may be generated. Click on the link for a description of the message.

Address Validation

[Missing address](#)

[Device address '<address>' contains a syntax error](#)

[Address '<address>' is out of range for the specified device or register](#)

[Device address '<address>' is not supported by model '<model name>'](#)

[Data Type '<type>' is not valid for device address '<address>'](#)

[Device address '<address>' is Read Only](#)

Missing address

Error Type:

Warning

Possible Cause:

A tag address that has been specified statically has no length.

Solution:

Re-enter the address in the client application.

Device address '<address>' contains a syntax error

Error Type:

Warning

Possible Cause:

A tag address that has been specified statically contains one or more invalid characters.

Solution:

Re-enter the address in the client application.

Address '<address>' is out of range for the specified device or register

Error Type:

Warning

Possible Cause:

A tag address that has been specified statically references a location that is beyond the range of supported locations for the device.

Solution:

Verify the address is correct; if it is not, re-enter it in the client application.

Device address '<address>' is not supported by model '<model name>'

Error Type:

Warning

Possible Cause:

A tag address that has been specified statically references a location that is valid for the communications protocol but not supported by the target device.

Solution:

Verify the address is correct; if it is not, re-enter it in the client application. Also verify that the selected model name for the device is correct.

Data Type '<type>' is not valid for device address '<address>'

Error Type:

Warning

Possible Cause:

A tag address that has been specified statically has been assigned an invalid data type.

Solution:

Modify the requested data type in the client application.

Device address '<address>' is Read Only

Error Type:

Warning

Possible Cause:

A tag address that has been specified statically has a requested access mode that is not compatible with what the device supports for that address.

Solution:

Change the access mode in the client application.

Serial Communications

The following error/warning messages may be generated. Click on the link for a description of the message.

Serial Communications[COMn does not exist](#)[Error opening COMn](#)[COMn is in use by another application](#)[Unable to set comm parameters on COMn](#)[Communications error on '<channel name>' \[<error mask>\]](#)

COMn does not exist

Error Type:

Fatal

Possible Cause:

The specified COM port is not present on the target computer.

Solution:

Verify that the proper COM port has been selected.

Error opening COMn

Error Type:

Fatal

Possible Cause:

The specified COM port could not be opened due an internal hardware or software problem on the target computer.

Solution:

Verify that the COM port is functional and may be accessed by other Windows applications.

COMn is in use by another application

Error Type:

Fatal

Possible Cause:

The serial port assigned to a device is being used by another application.

Solution:

Verify that the correct port has been assigned to the channel.

Unable to set comm parameters on COMn

Error Type:

Fatal

Possible Cause:

The serial parameters for the specified COM port are not valid.

Solution:

Verify the serial parameters and make any necessary changes.

Communications error on '<channel name>' [<error mask>]

Error Type:

Serious

Error Mask Definitions:

B = Hardware break detected.

F = Framing error.

E = I/O error.

O = Character buffer overrun.

R = RX buffer overrun.

P = Received byte parity error.

T = TX buffer full.

Possible Cause:

1. The serial connection between the device and the Host PC is bad.
2. The communications parameters for the serial connection are incorrect.

Solution:

1. Verify the cabling between the PC and the PLC device.
2. Verify that the specified communications parameters match those of the device.

Device Status Messages

The following error/warning messages may be generated. Click on the link for a description of the message.

Device Status Messages

[Device '<device name>' is not responding](#)
[Unable to write to '<address>' on device '<device name>'](#)

Device '<device name>' not responding

Error Type:

Serious

Possible Cause:

1. The serial connection between the device and the Host PC is broken.
2. The communications parameters for the serial connection are incorrect.
3. The named device may have been assigned an incorrect Network ID.
4. The requested address is not available in the device.

Solution:

1. Verify the cabling between the PC and the PLC device.
2. Verify the specified communications parameters match those of the device.
3. Verify the Network ID given to the named device matches that of the actual device.
4. Verify that the device supports the requested address.

Unable to write to '<address>' on device '<device name>'

Error Type:

Serious

Possible Cause:

1. The serial connection between the device and the Host PC is broken.
2. The communications parameters for the serial connection are incorrect.
3. The named device may have been assigned an incorrect Network ID.

Solution:

1. Verify the cabling between the PC and the PLC device.
2. Verify the specified communications parameters match those of the device.
3. Verify the Network ID given to the named device matches that of the actual device.

Device Specific Messages

The following error/warning messages may be generated. Click on the link for a description of the message.

Device Specific Messages

[Bad address in block \[<start address> to <end address>\] on device '<device name>'](#)

Bad address in block [<start address> to <end address>] on device '<device name>'

Error Type:

Serious

Possible Cause:

An attempt has been made to reference a nonexistent location in the specified device.

Solution:

Verify the tags assigned to addresses in the specified range on the device and eliminate ones that reference invalid locations.

Automatic Tag Database Generation Messages

The following error/warning messages may be generated. Click on the link for a description of the message.

Automatic Tag Database Generation Messages

[Unable to generate a tag database for device <device name>](#)

[Unable to generate a tag database for device <device name>](#)

Unable to generate a tag database for device <device name>

Error Type:

Warning

Possible Cause:

Memory required for database generation could not be allocated. The process is aborted.

Solution:

Close unused applications and/or increase the amount of virtual memory and try again.

Unable to generate a tag database for device <device name>

Error Type:

Warning

Possible Cause:

The file specified as the Tag Import File in the Database Settings tab in Device Properties is an improperly formatted txt or csv file.

Solution:

If importing Element Documentation, verify that the export file was saved in "Standard Format" with a .csv extension. If the problem resumes, try re-exporting the file.

See Also:

[Importing DirectSoft Elements](#)

Index

2

205 - 305 Controller.....	6
205 - 305 Controller: RS232 to RJ-11.....	6

3

305 Controller.....	6
305 Controller: RS232 to DCU RS232.....	6

4

405 Controller.....	7
405 Controller: RS232 to DCM RS232.....	7

A

Address '<address>' is out of range for the specified device or register.....	27
Address Descriptions.....	14
Address Validation.....	26
Automatic Tag Database Generation.....	8, 29

B

Bad address in block [<start address> to <end address>] on device '<device name>'.....	29
BCD.....	13
Boolean.....	13
Byte.....	13

C

Char.....	13
Communications error on '<channel name>' [<error mask>].....	28
COMn does not exist.....	27
COMn is in use by another application.....	28

D

Data Type '<type>' is not valid for device address '<address>'.....	27
Data Types Description.....	13
Device '<device name>' not responding.....	29
Device address '<address>' contains a syntax error.....	26
Device address '<address>' is not supported by model '<model name>'.....	27
Device address '<address>' is Read Only.....	27
Device ID.....	5
Device Setup.....	5
Device Specific Messages.....	29

Device Status Messages	28
DirectSoft Steps	8
DL-05 Addressing	14
DL-06 Addressing	15
DL-230 Addressing	16
DL-240 Addressing	17
DL-250 Addressing	18
DL-260 Addressing	18
DL-330 Addressing	19
DL-340 Addressing	20
DL-350 Addressing	21
DL-430 Addressing	22
DL-440 Addressing	23
DL-450 Addressing	24
DWord	13
E	
Element Documentation	6
Error Descriptions	26
Error opening COMn	28
F	
Float	13
Framing	28
I	
Import File-To-Server Name Conversions	8
Import Preparation	8, 11
Importing DirectSoft Elements	8
L	
Long	13
M	
Mask	28
Missing address	26
Modem Setup	5
N	
Network	5
Nicknames	5

O

OPC Server Steps.....	11
Overrun.....	28
Overview.....	4

P

Parity.....	28
-------------	----

S

Serial Communications.....	27
Short.....	13

T

Tag Hierarchy.....	8
Tag Import Settings.....	5

U

Unable to generate a tag database for device <device name>.....	29-30
Unable to set comm parameters on COMn.....	28
Unable to write tag '<address>' on device '<device name>'.....	29

W

Word.....	13
-----------	----