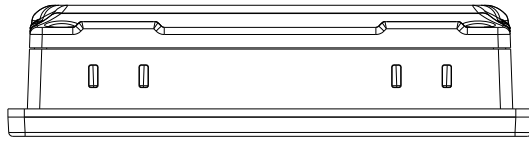
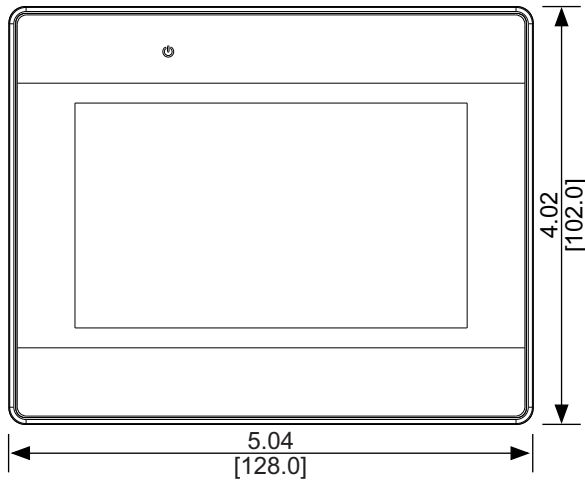


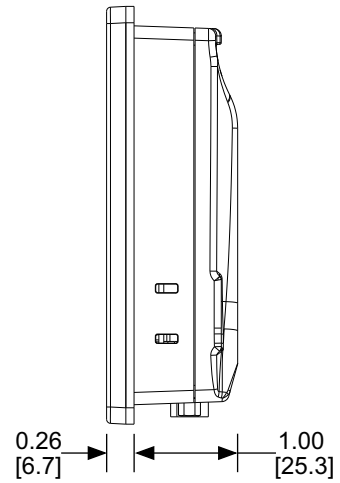
Top View



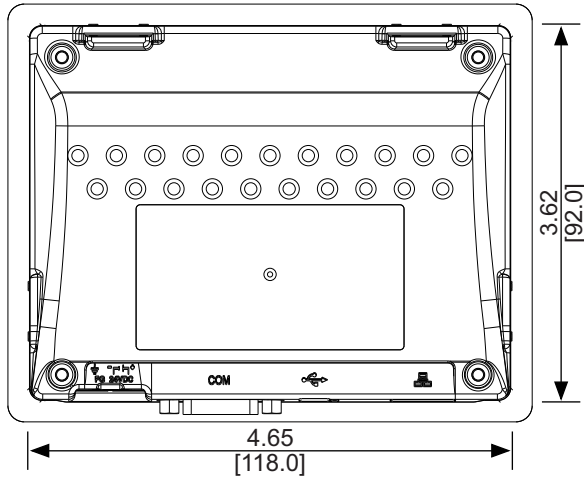
Front View



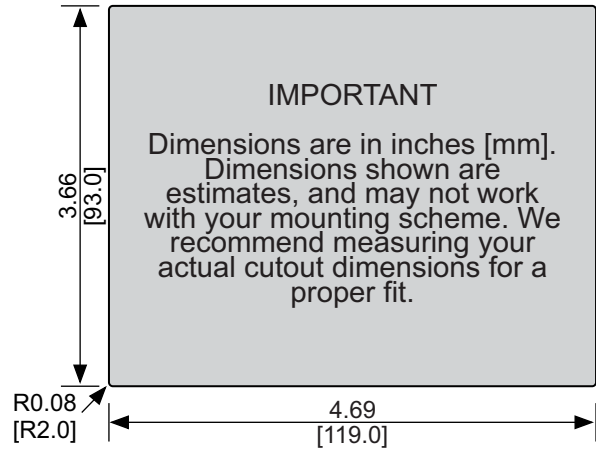
Side View



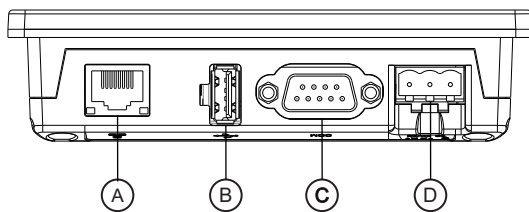
Rear View



Cutout Dimensions



Bottom View



Dimensions are in inches [mm]

- Ⓐ Ethernet port
- Ⓑ USB 2.0 host port
- Ⓒ Com port DE9P
- Ⓓ Power connector