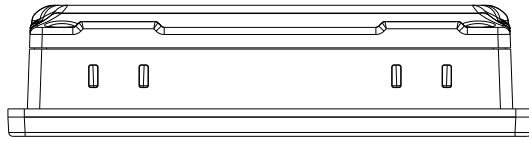
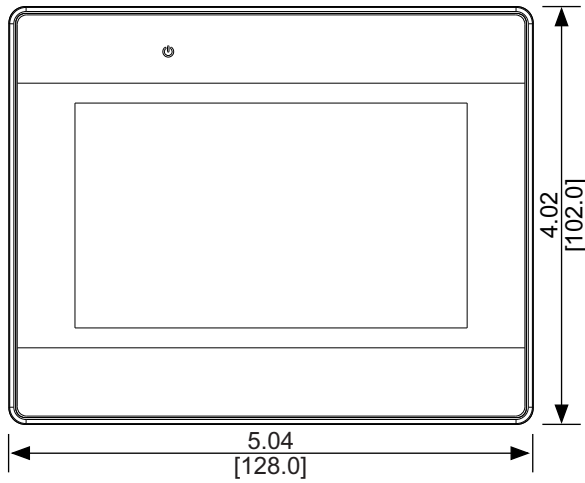


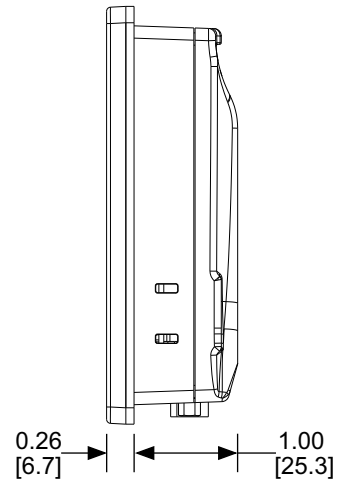
Top View



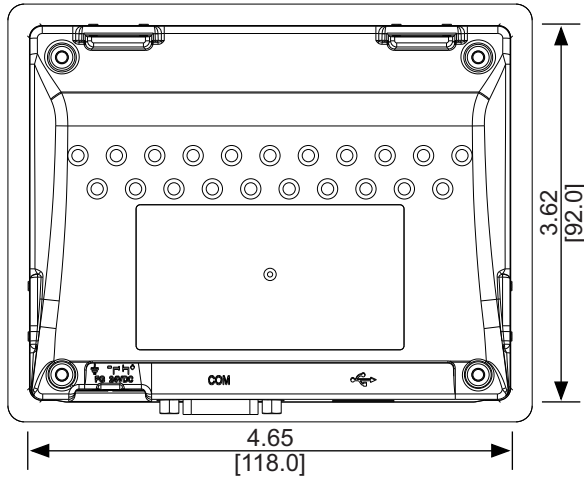
Front View



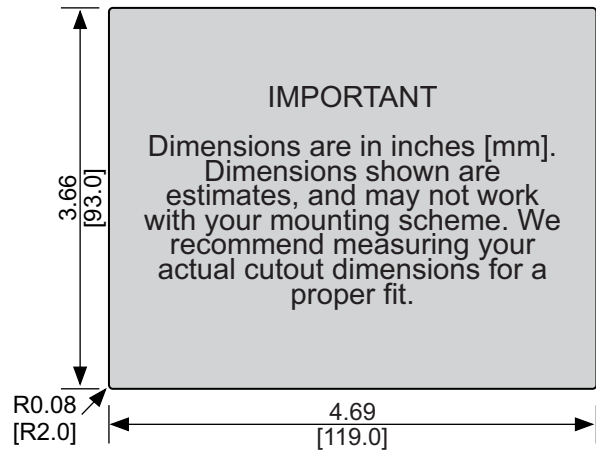
Side View



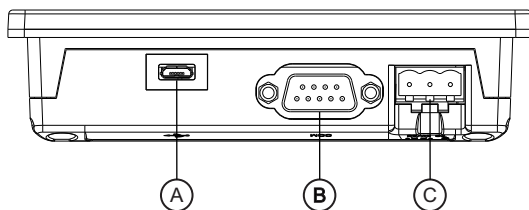
Rear View



Cutout Dimensions



Bottom View



Dimensions are in inches [mm]

- Ⓐ Micro USB 2.0 port
- Ⓑ Com port DE9P
- Ⓒ Power connector