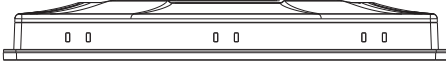
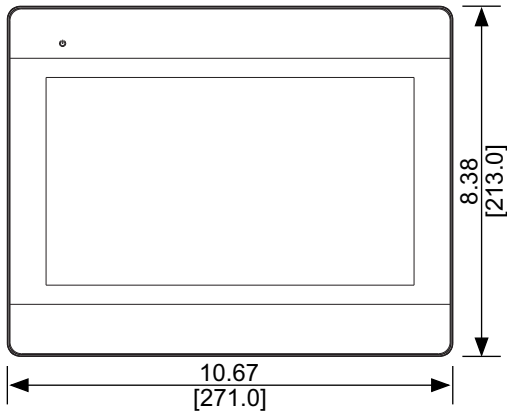


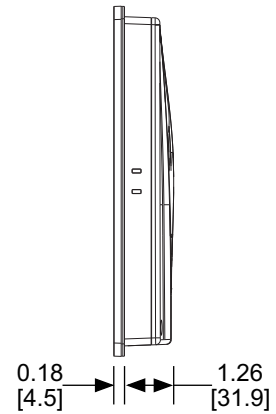
Top View



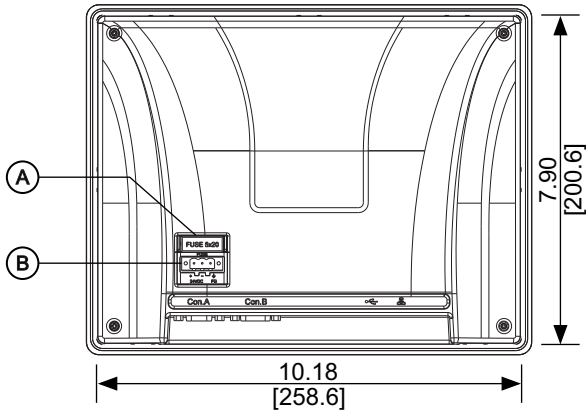
Front View



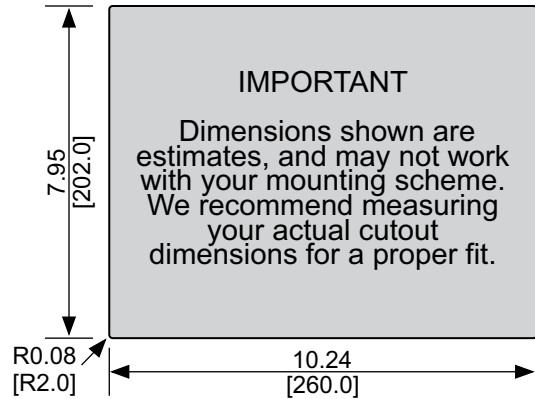
Side View



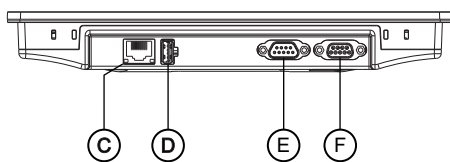
Rear View



Cutout Dimensions



Bottom View



Dimensions are in inches [mm]

- Ⓐ Fuse
- Ⓑ Power connector
- Ⓒ Ethernet port
- Ⓓ USB 2.0 host port
- Ⓔ COM port DE9P
- Ⓕ COM port DE9S