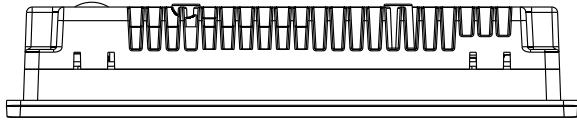
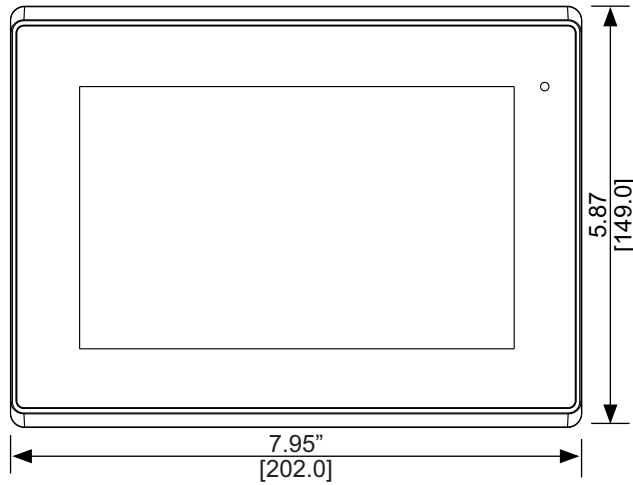


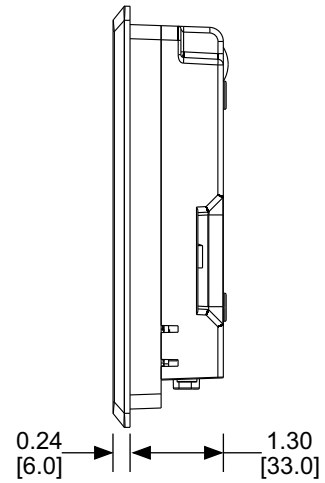
Top View



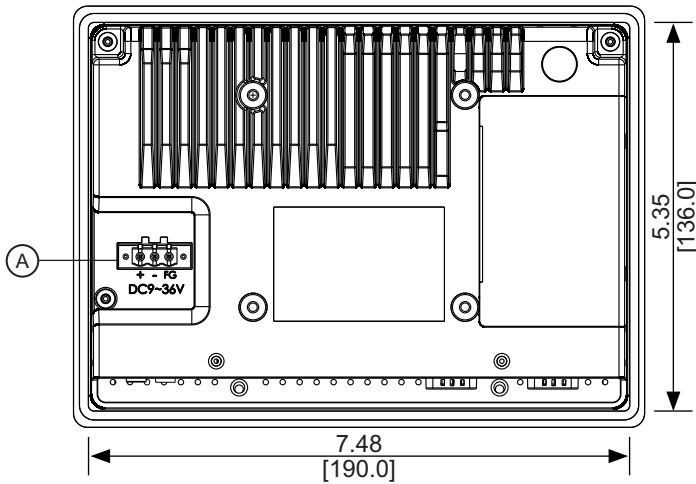
Front View



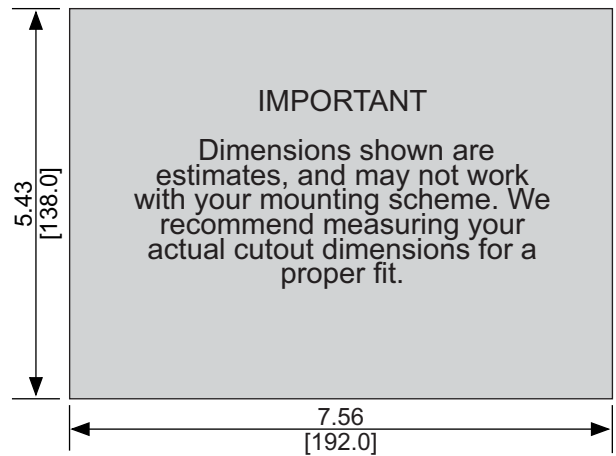
Side View



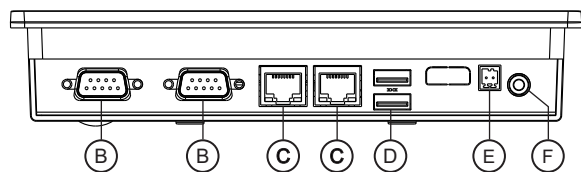
Rear View



Cutout Dimensions



Bottom View



Dimensions are in inches [mm]

- (A) Power Connector      (B) Com Port DE9P      (C) Ethernet Port      (D) USB 3.0 Ports
- (E) SW Connector      (F) Line out