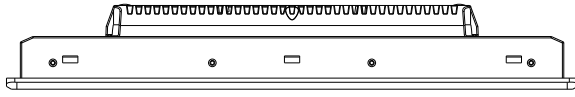
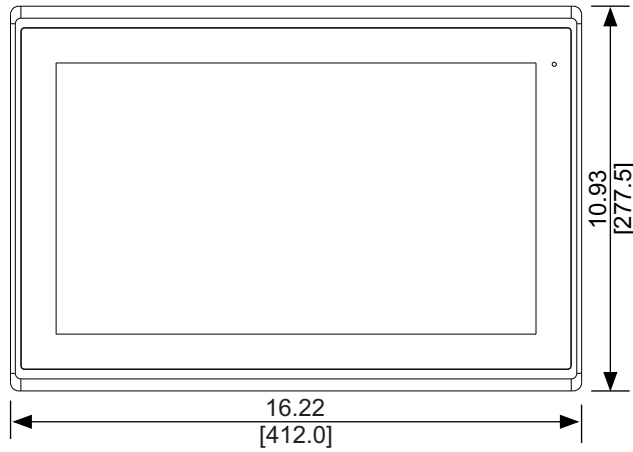


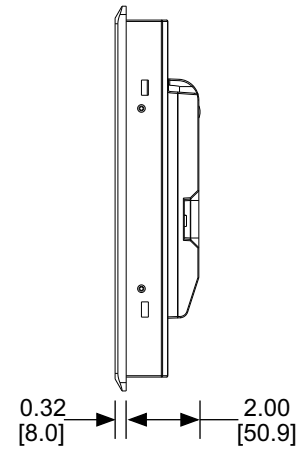
Top View



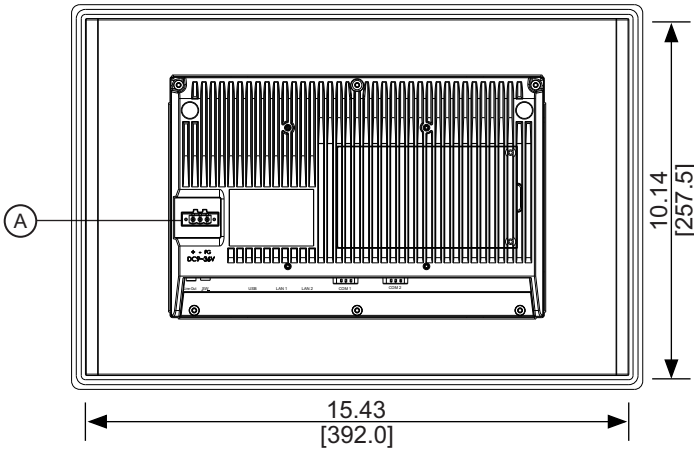
Front View



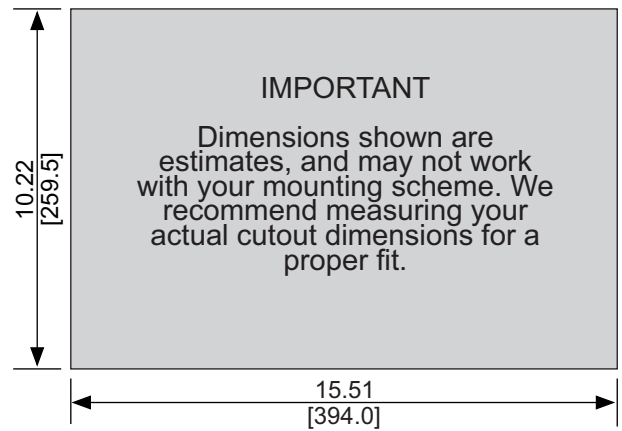
Side View



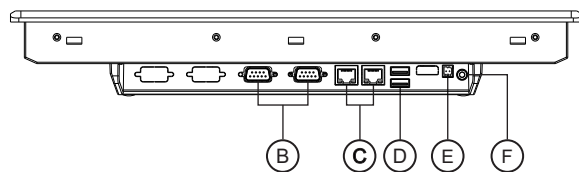
Rear View



Cutout Dimensions



Bottom View



Dimensions are in inches [mm]

- Ⓐ Power Connector      Ⓒ Ethernet Ports      Ⓔ SW Connector      Ⓕ Line Out
- Ⓑ Com Ports DE9P      Ⓓ USB 3.0 Ports