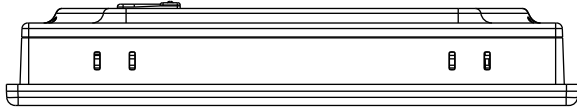
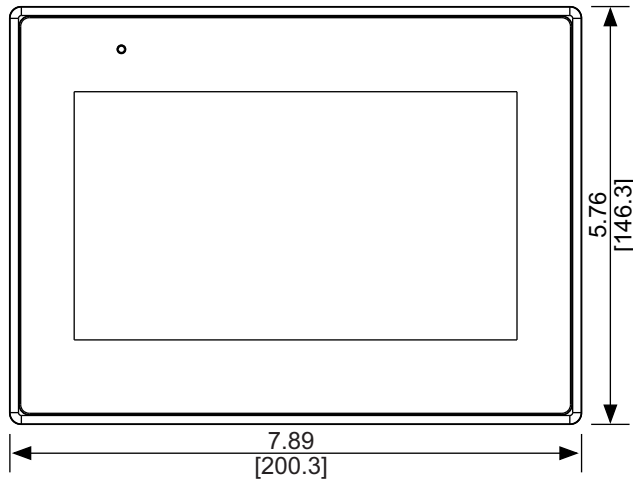


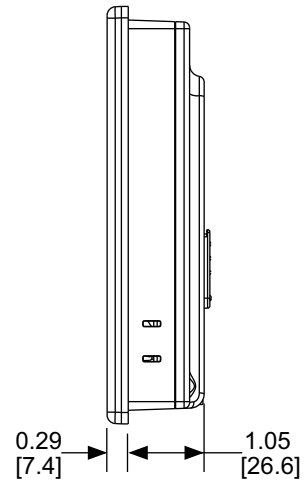
Top View



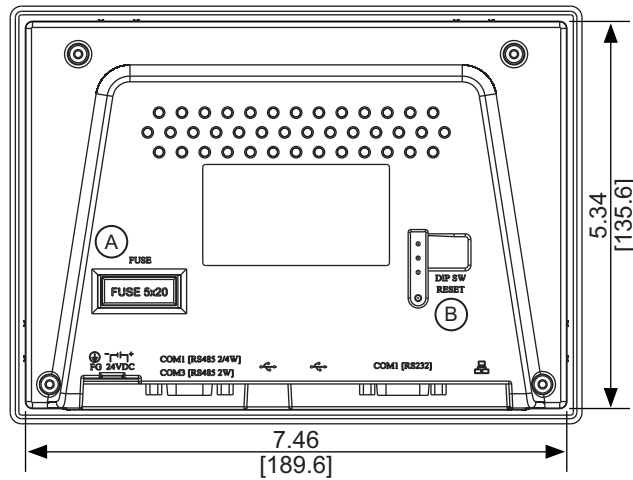
Front View



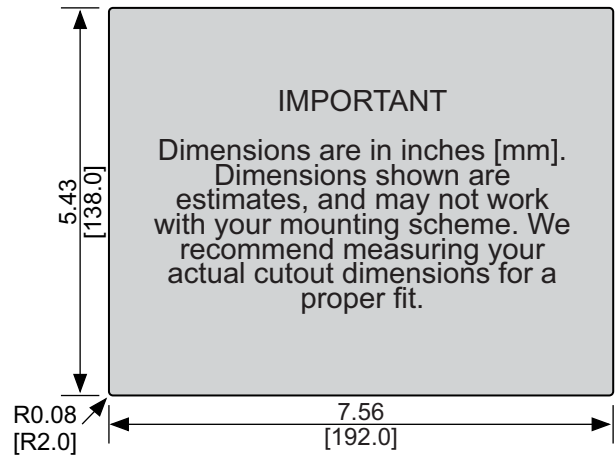
Side View



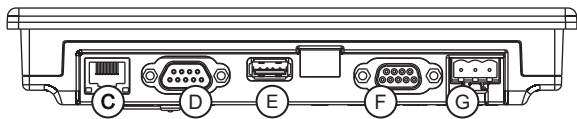
Rear View



Cutout Dimensions



Bottom View



Dimensions are in inches [mm]

- (A) Fuse
- (B) DIP Switches
- (C) Ethernet Port
- (D) Com Port DE9P
- (E) USB 2.0 Host Port
- (F) Com Port DE9S
- (G) Power Connector