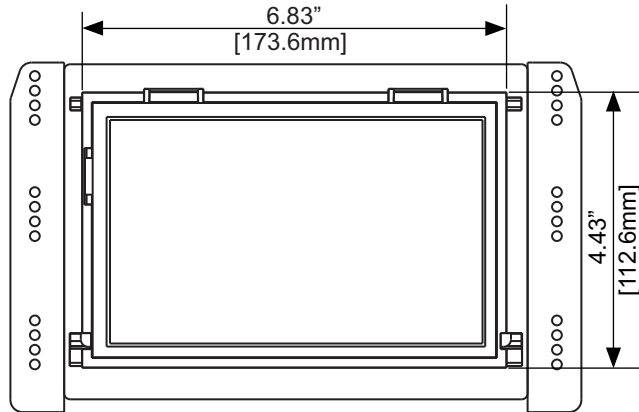
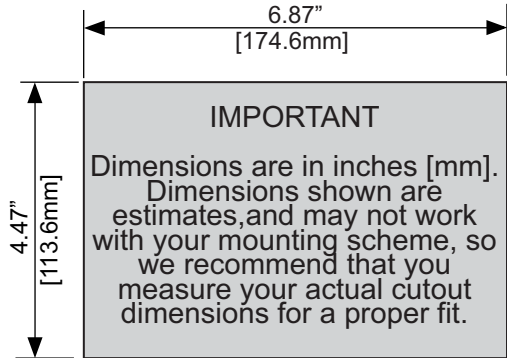




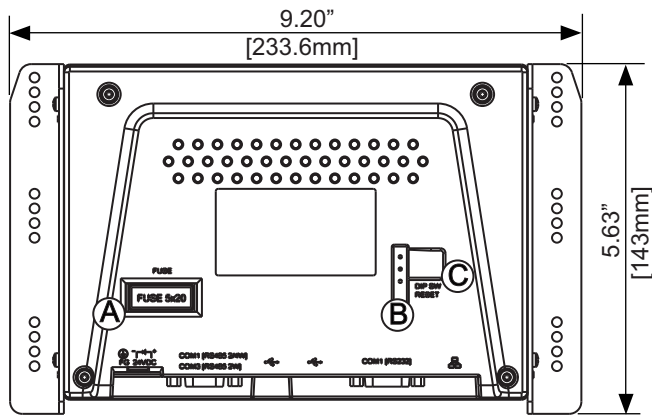
Top View



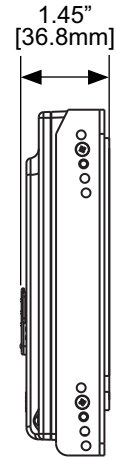
Front View



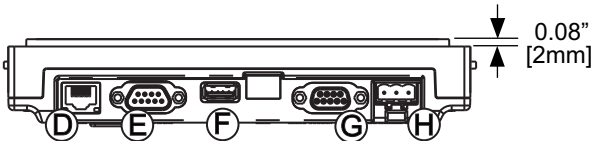
Cutout Dimensions



Rear View



Side View



Bottom View  
(without mounting brackets)

Dimensions are in inches [mm]

- |   |            |   |                      |   |                   |   |                 |
|---|------------|---|----------------------|---|-------------------|---|-----------------|
| A | Fuse       | C | Reset & DIP Switches | E | Com Port DE9P     | G | Com Port DE9S   |
| B | Dust Cover | D | Ethernet Port        | F | USB 2.0 Host Port | H | Power Connector |