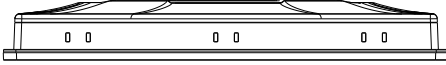
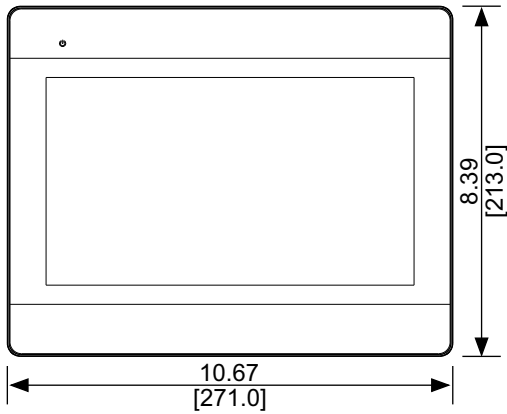


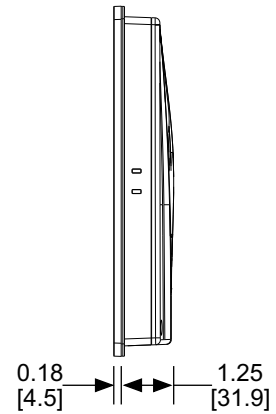
Top View



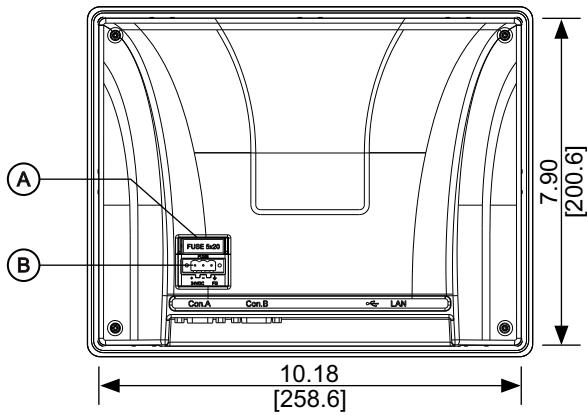
Front View



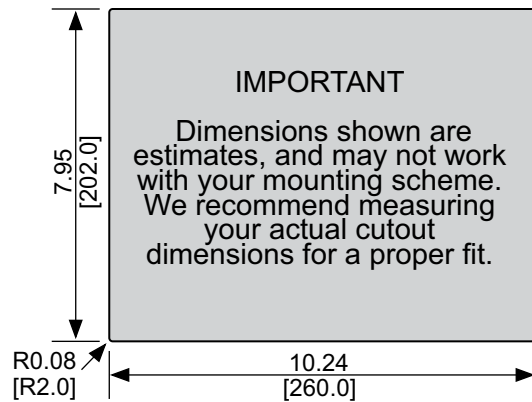
Side View



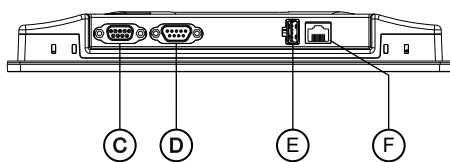
Rear View



Cutout Dimensions



Bottom View



Dimensions are in inches [mm]

- Ⓐ Fuse
- Ⓑ Power Connector
- Ⓒ COM Port DE9S
- Ⓓ COM Port DE9P
- Ⓔ USB 2.0 Host Port
- Ⓕ Ethernet Port