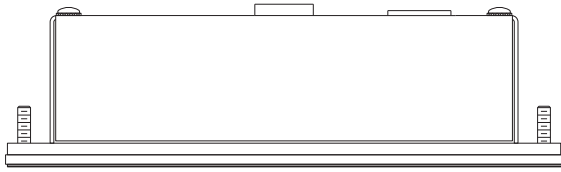
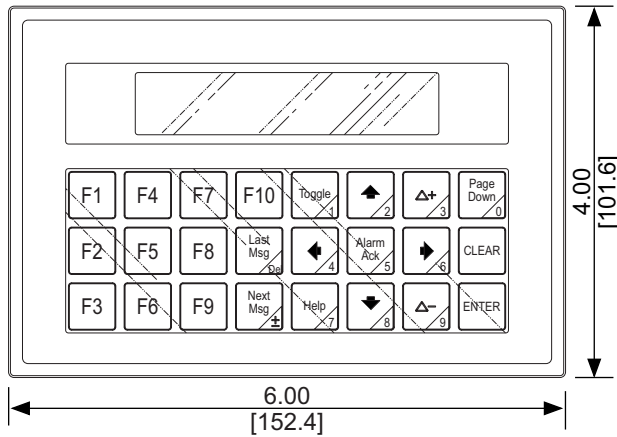


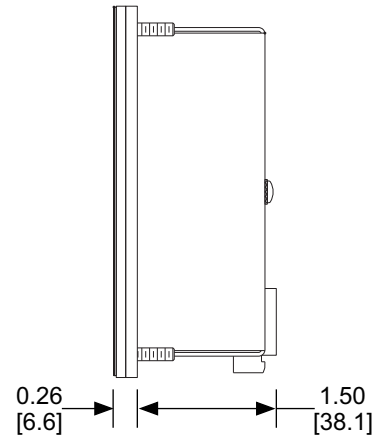
Top View



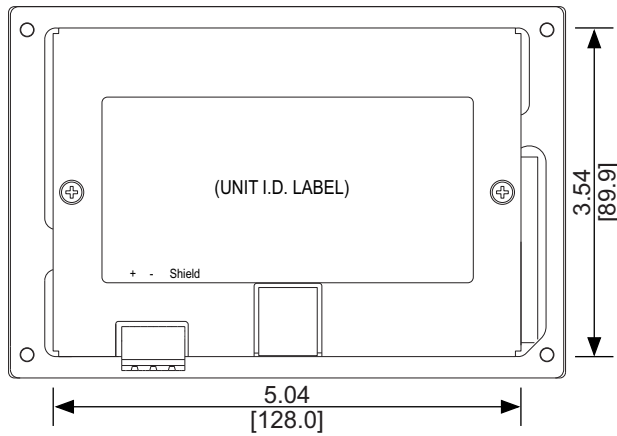
Front View



Side View

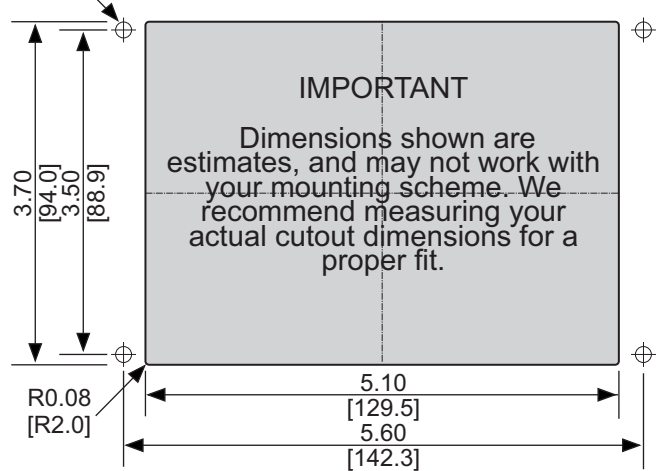


Rear View

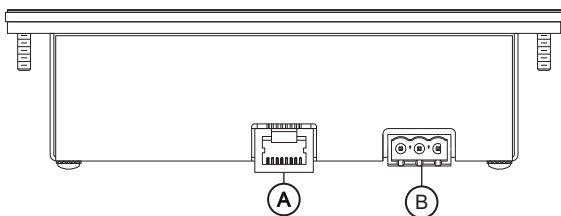


0.172 [4.4] DIA,  
4 Holes

Cutout Dimensions



Bottom View



(A) Ethernet Port

(B) Power Connector

Dimensions are in inches [mm]