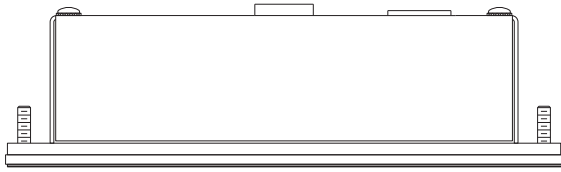
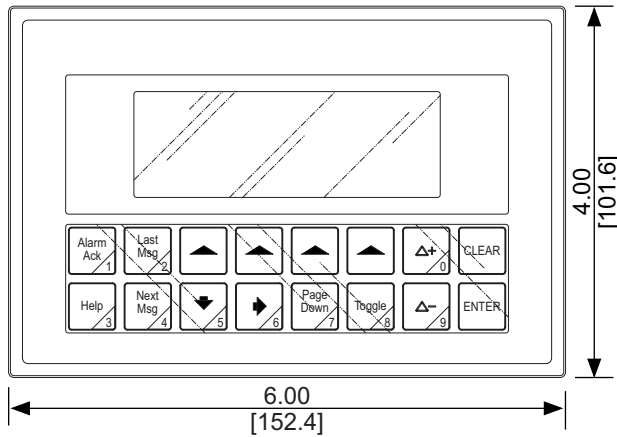


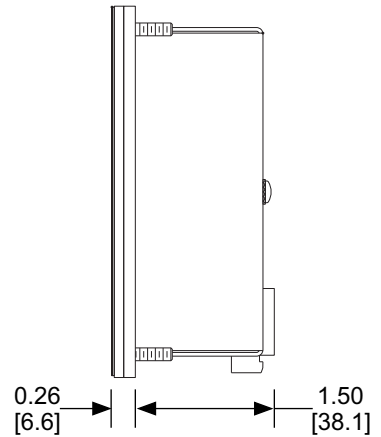
Top View



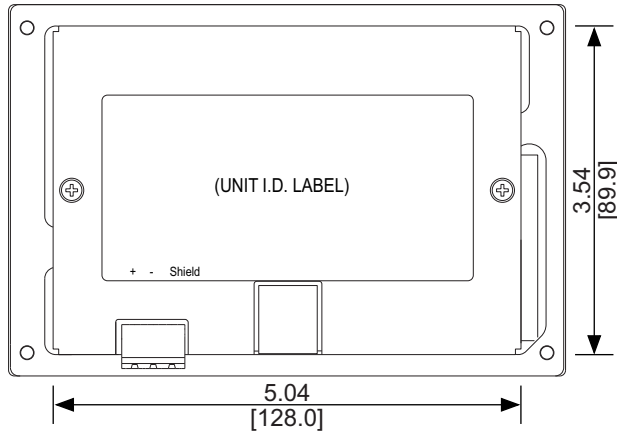
Front View



Side View

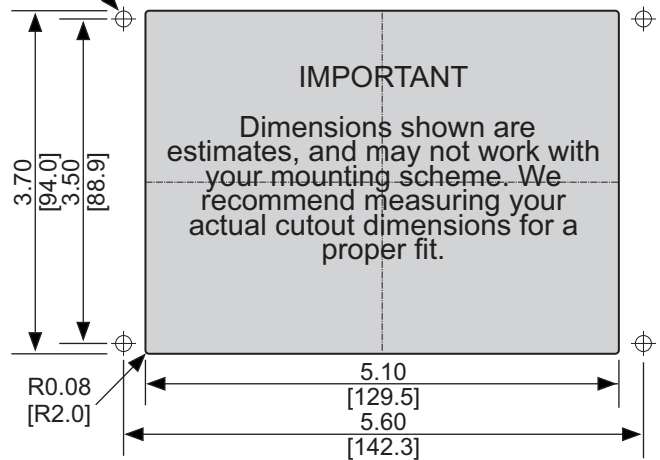


Rear View

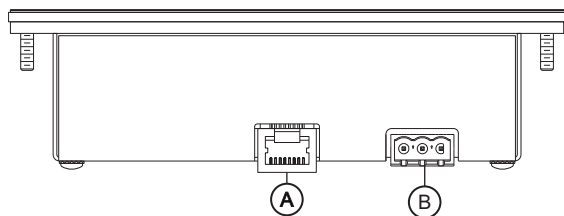


0.172 [4.4] DIA,  
4 Holes

Cutout Dimensions



Bottom View



Ⓐ Ethernet Port

Ⓑ Power Connector

Dimensions are in inches [mm]