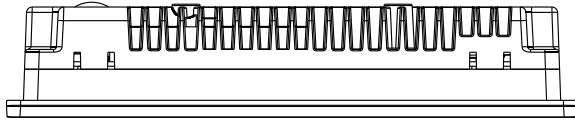
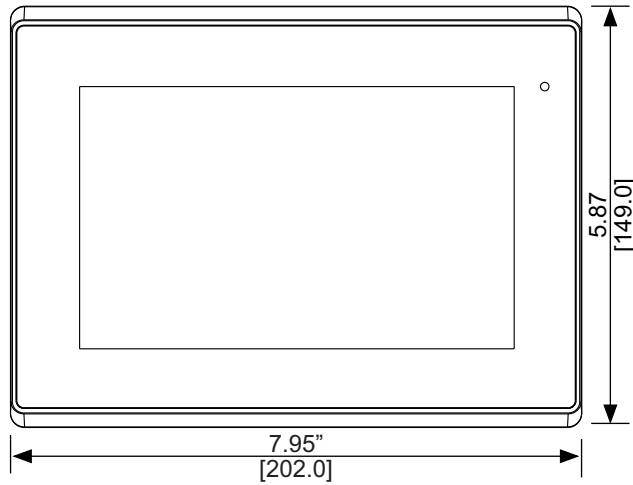


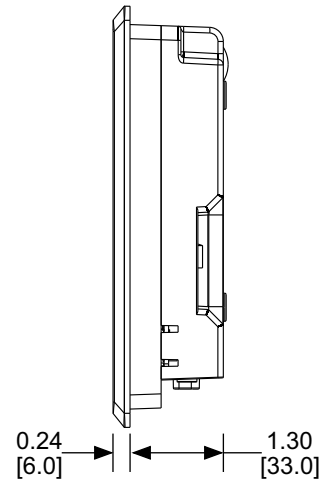
Top View



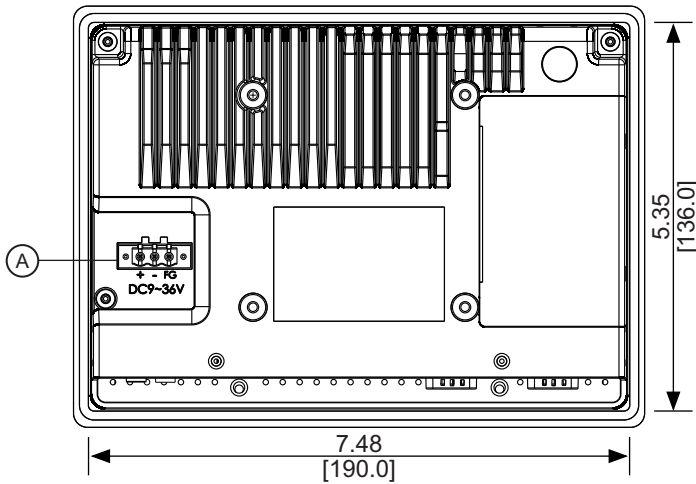
Front View



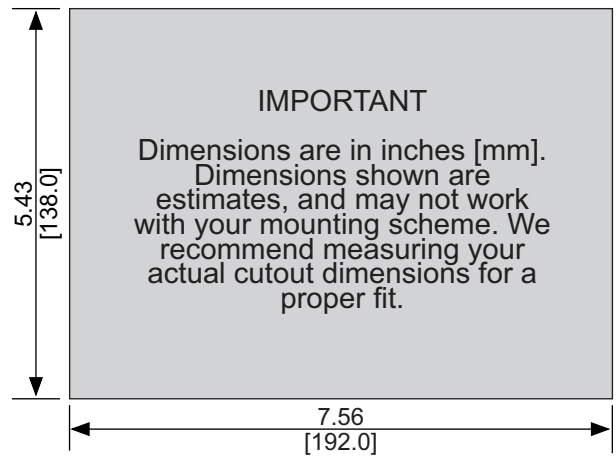
Side View



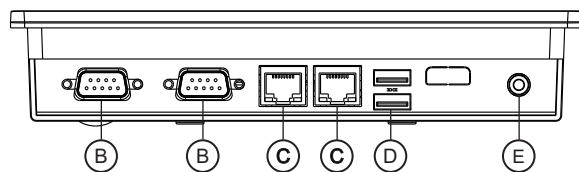
Rear View



Cutout Dimensions



Bottom View



Dimensions are in inches [mm]

- Ⓐ Power Connector      Ⓒ Ethernet Port      Ⓓ USB 2.0 Ports      Ⓔ Line out
- Ⓑ Com Port DE9P