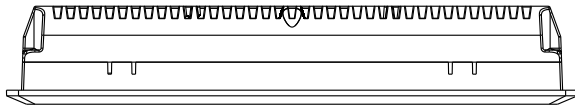
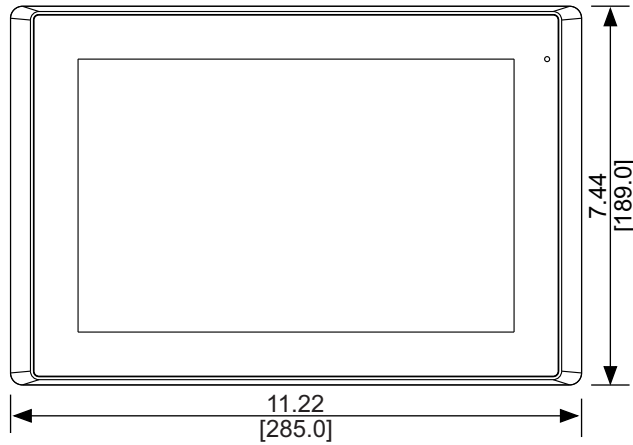


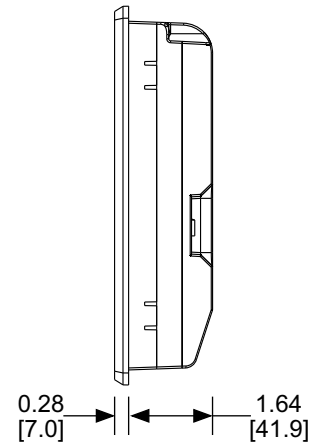
Top View



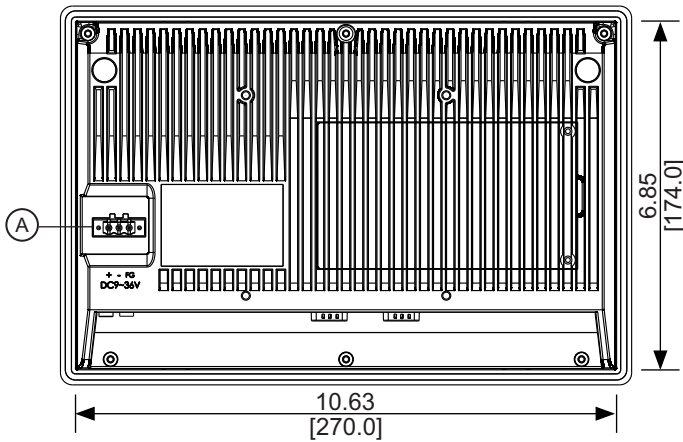
Front View



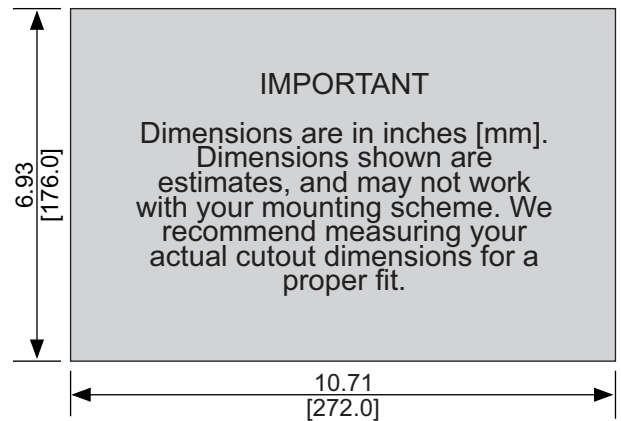
Side View



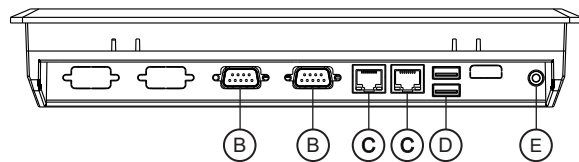
Rear View



Cutout Dimensions



Bottom View



Dimensions are in inches [mm]

- Ⓐ Power Connector
- Ⓑ Com Port DE9P
- Ⓒ Ethernet Port
- Ⓓ USB 2.0 Ports
- Ⓔ Line out